



Models- 9500, 9500VR, 9501, 9501VR

Page 2	Product Information
Page 3	Specifications
Page 4	Important Safety Instructions
Page 5	Product Dimensions
Page 6-8	Installation
Page 8-12	Programming
Page 13	Operating Instructions
Page 13-14	Maintenance & Troubleshooting
Page 15-18	Parts List
Page 19	Wiring Diagram



PRODUCT INFORMATION

Please take a moment to fill out the information below in order to aid us with any future sales or service inquiries. Model number and serial number information can be found on the serial tag located inside the control box and/or on the lower exterior of the can. Key number can be found on the tag that comes attached to the keys. There may be more than one key number depending on unit.

Please keep this information with your records.

MODEL#: _____

SERIAL#: _____

KEY NUMBER(S): _____

DATE PURCHASED: _____

DISTRIBUTOR: _____

**J.E. Adams Industries
1025 63rd Ave. S.W.
Cedar Rapids, IA 52404
1-800-553-8861
www.jeadams.com**

Specifications

Unit specifications:

Voltage: 120VAC, 60Hz
Amperage: (1) 20 amp service is required for this unit
Weight: 195 lbs with pallet attached

Vac specifications:

Motors: (2) 120VAC Vacuum motor
Fuses: (2) 10 amp inline fuses

Shampoo specifications:

Compressor: (1) Thomas 120VAC, 1/12th hp compressor
Peristaltic pump: (2) Thomas peristaltic pumps, 12VDC

Duty cycle time 4 minutes on, 4 minutes off.

NOTE: "UNIT INTENDED FOR COMMECIAL USE ONLY"

IMPORTANT SAFETY INSTRUCTIONS

When using an electrical appliance, basic precautions should always be followed, including the following:

READ ALL INSTRUCTIONS BEFORE USING (THIS APPLIANCE)

WARNING – To reduce the risk of fire, electric shock, or injury:

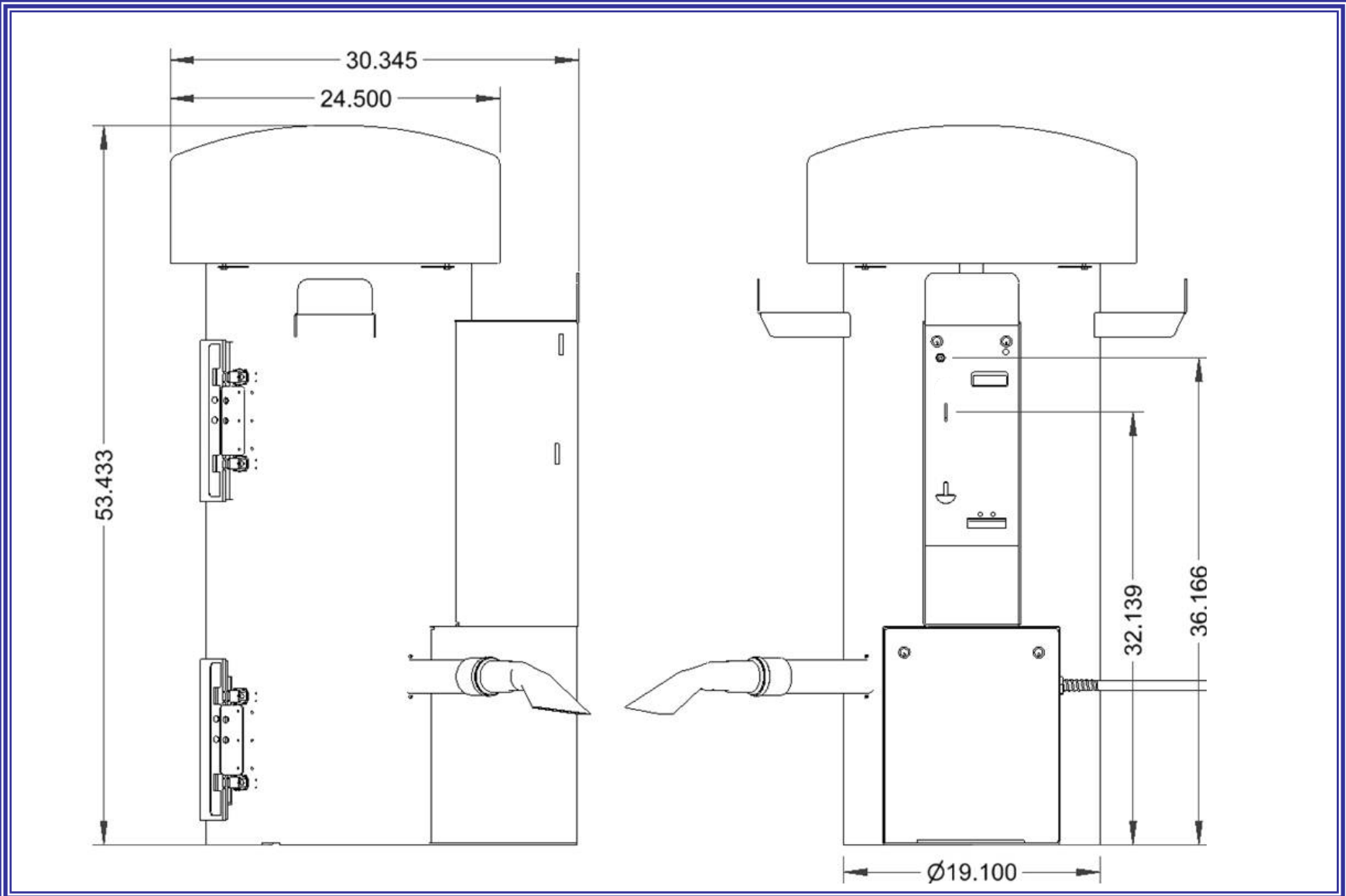
- Do not use on wet surfaces.
- Use only as described in manual. Use only manufactures recommended attachments.
- Do not allow to be used as a toy. Close attention is necessary when used by or near children.
- Do not put any object into openings. Do not use with any opening blocked; keep free of dust, lint, hair and anything that may reduce air flow.
- Keep hair, loose clothing, fingers, and all parts of body away from openings and moving parts.
- Do not use to pick up flammable or combustible liquids, such as gasoline, or use in areas where they may be present.
- Do not pick up anything that is burning or smoking, such as cigarettes, matches, or hot ashes.
- Do not use without dust bag and/or filters in place.



SAVE THESE INSTRUCTIONS

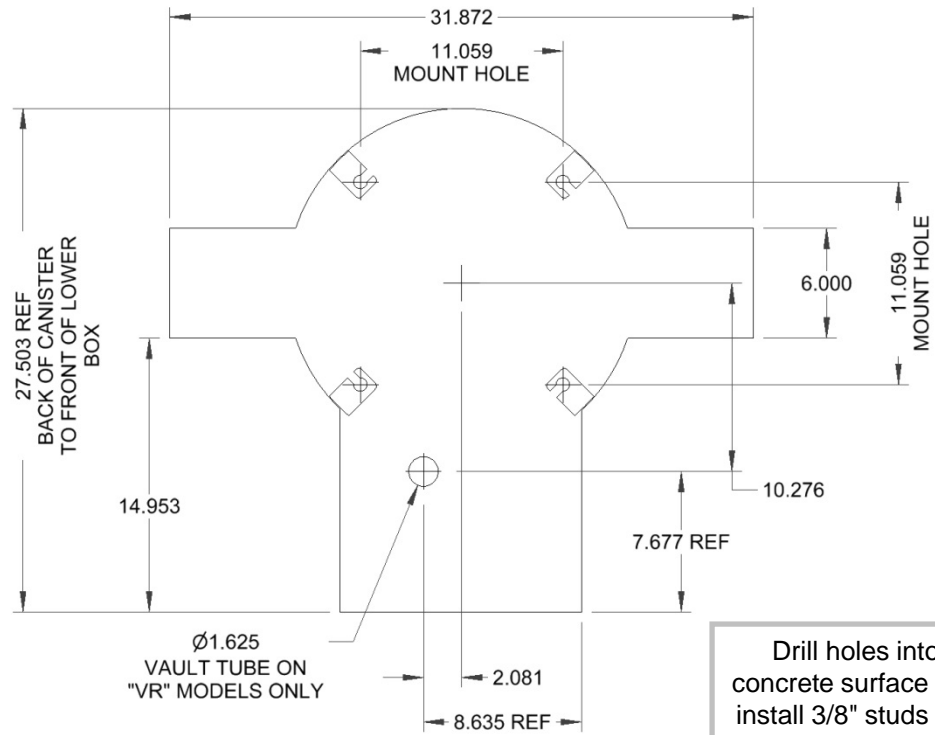
- **Installation Instructions:**
- Determine location to mount unit (“**DANGER**” “**THIS EQUIPMENT INCORPORATES PARTS SUCH AS SWITCHES, MOTORS, OR THE LIKE THAT TEND TO PRODUCE ARCS OR SPARKS THAT CAN CAUSE AN EXPLOSION. WHEN LOCATED IN GASOLINE-DISPENSING AND SERVICE STATIONS INSTALL AND USE AT LEAST 20 FEET (6 M) HORIZONTALLY FROM THE EXTERIOR ENCLOSURE OF ANY DISPENSING PUMP AND AT LEAST 18 INCHES (450 MM) ABOVE A DRIVEWAY OR GROUND LEVEL.**”
- Run electrical service to that location.
- **Grounding Instructions:** This appliance must be connected to a grounded metal, permanent wiring system; or an equipment-grounding conductor must be run with the circuit conductors and connected to the equipment-grounding terminal or lead on the appliance.
- All local and national electric codes must be followed for installation and use.
- Licensed electricians are recommended for installation.

Product Dimensions



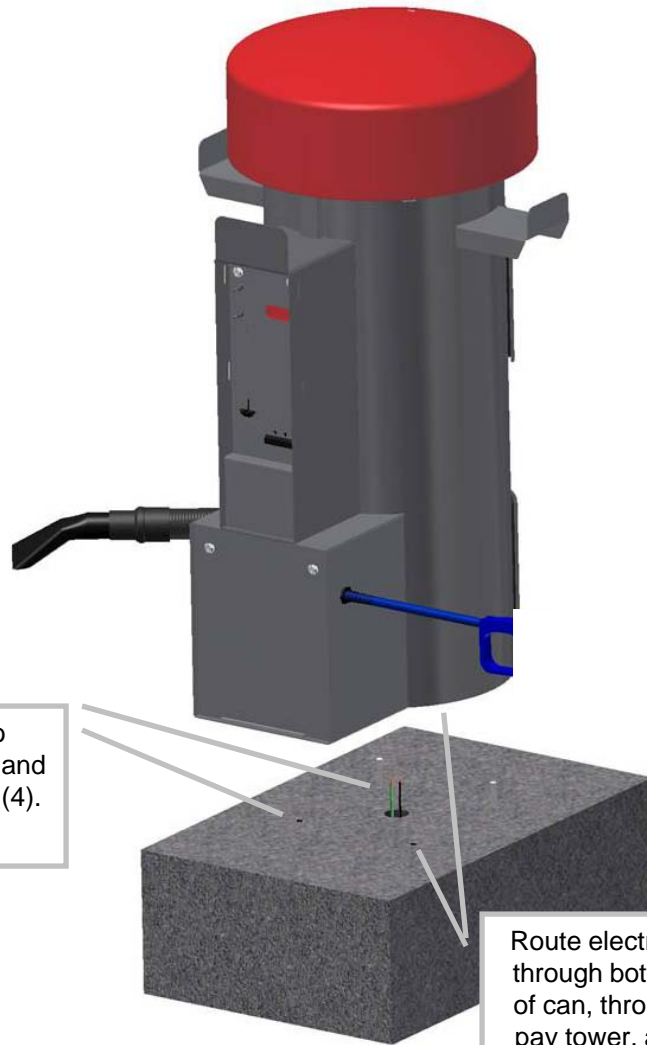
INSTALLATION:

PLAN VIEW

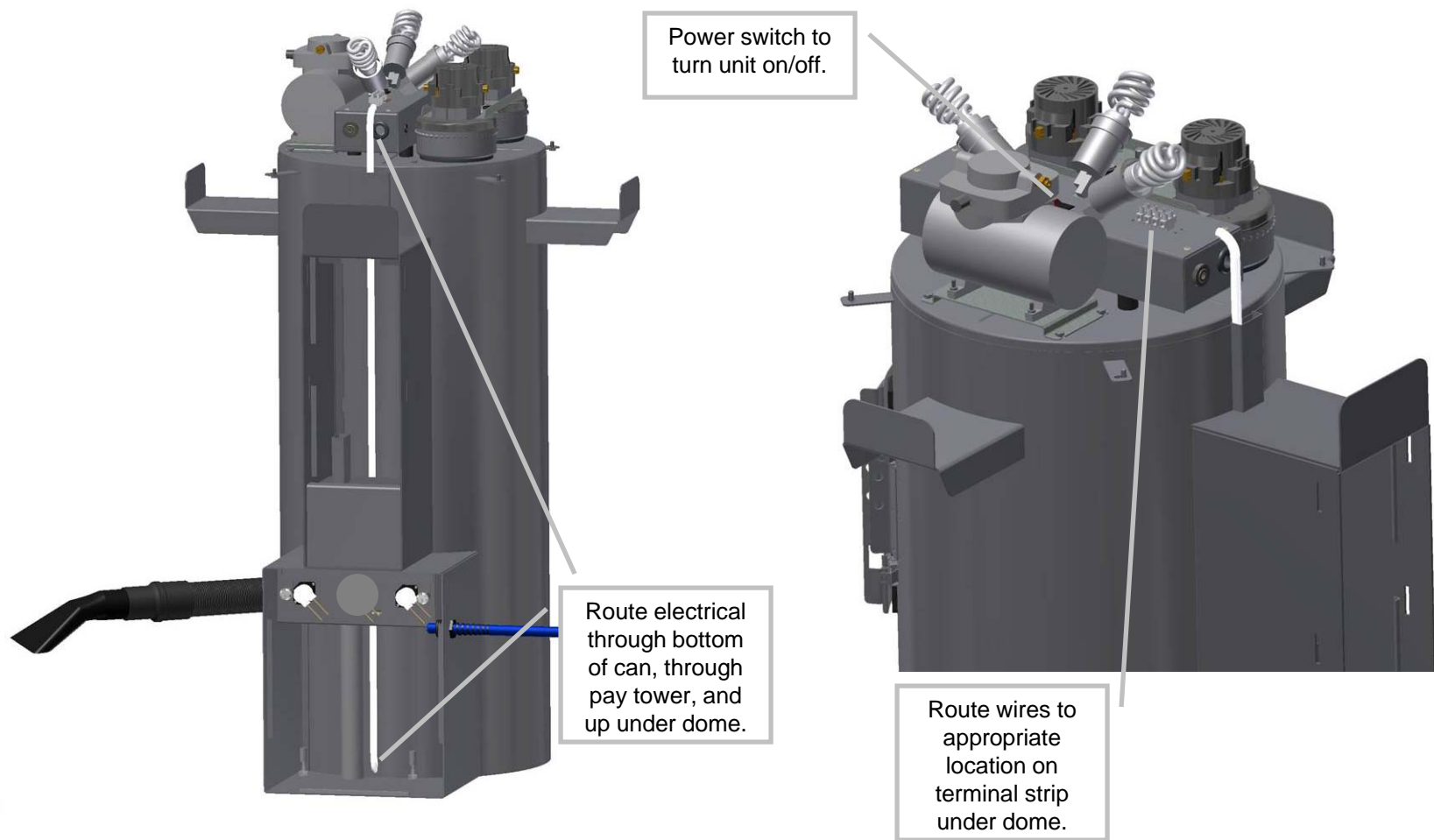


NOTE: when mounting, provide clearance so cleanout doors can open!!

Drill holes into concrete surface and install 3/8" studs (4).

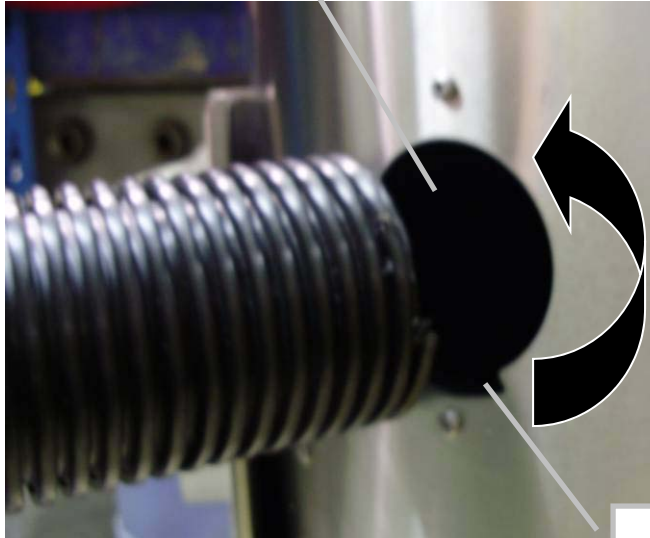


Route electrical through bottom of can, through pay tower, and up under dome.

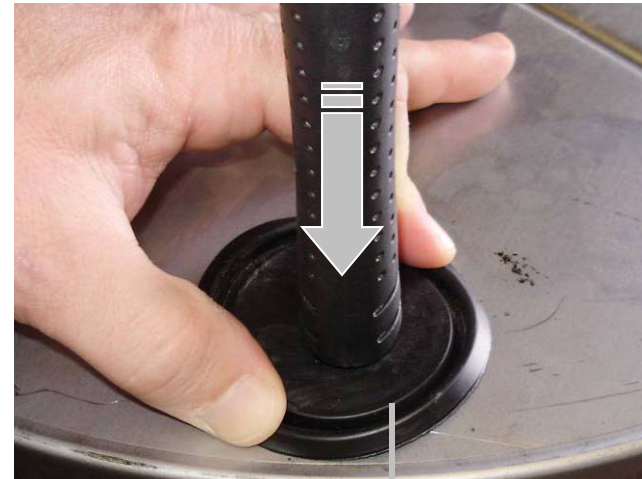


Once unit has been installed use 5871B8 cap plugs (supplied with unit) to seal holes in canister bottom located in lower cleanout door (see illustration on next page). Extra cap plugs are included with the unit in case plug becomes damaged during shipping removal. After cap plugs are installed unit can be turned on, place fragrance bottles into bottom door, and attach lids to appropriate bottles.

To attach hose, thread into metal hole counter clockwise.



Edge of hose will need to start here.



To insert 5871B8 cap plugs into bottom holes, pinch cap plug into place using index finger and thumb. With edges of plug resting against edges of hole, firmly push down on plug with end of hammer or other blunt object until plug snaps into place.

Now the unit can be turned on and programmed.

Programming Instructions:

Coin acceptor:

No programming to acceptor needed if unit was purchased with the standard Imonex Z32 electronic acceptor (8149-92 our part number) is pre-programmed to accept US quarters, .984 tokens, US \$1 coin and 1.073 token. Acceptor is pre-programmed before it is sent to J.E. Adams.

If different acceptor was purchased, see additional literature sent along with unit for programming info.

Bill acceptor:

Bill acceptor comes pre programmed from J.E. Adams and should not require any changes. If additional programming is needed to acceptors please refer to additional literature sent along with this unit.

LED 7 MULTI OPERATING AND PROGRAMMING INSTRUCTIONS

Push **MODE** to change from item to item. Push **SET** to set desired value or choose option for that item. Pushing **SET** repeatedly causes numbers to increase. Holding **SET** causes numbers to decrease.

The symbol X represents a programmable digit. Default values are shown in [].

<u>ITEM</u>	<u>DISPLAY/OPTIONS</u>	<u>REPRESENTS</u>
1	COIN VALU [\$.25]	The monetary value assigned to a single coin pulse. Adj. from \$0.05 to \$2.00
2	A :XX [30]	Time per coin/pulse for SHAMPOO /function 1. Adj. from 0:01 to 9:59.
3	B: XX [25]	Time per coin/pulse for VACUUM /function 2. Adj. from 0:01 to 9:59.
4	C: XX [20]	Time per coin/pulse for function 3. Adj. from 0:01 to 9:59.
5	D: XX [15]	Time per coin/pulse for function 4. Adj. from 0:01 to 9:59.
8	O.A :XX [8]	Number of coins/pulses to start for SHAMPOO /function 1. Adj. from 1 to 39.
9	O.B :XX [6]	Number of coins/pulses to start for VACUUM /function 2. Adj. from 1 to 39.
10	O.C :XX [4]	Number of coins/pulses to start for function 3. Adj. from 1 to 39.
11	O.D :XX [2]	Number of coins/pulses to start for function 4. Adj. from 1 to 39.
14	BC:XX [9]	Coins/Pulses to bonus. Bonus time is given when this coin/pulse is received.
15	BONUS TIME [00:00]	Amount of time added to time per coin/pulse for bonus coin/pulse. Adj. from 00:00 to 30:59 or unlimited time (99:00).
16	[DEBIT MODE] CREDIT MODE BOTH	Money counts down as coins are inserted. Money count up as coins are inserted. Money counts up as coins are inserted, plus a prompt of "ADD \$X MORE" if start price is not reached.
17	[DELAYED START] INSTANT START	Two second delay before timing starts after start price is reached. Timing starts as soon as start price is reached.
18	HLXX [10]	Length of warning horn is seconds at one minute of time remaining.
19	[RESTART OFF] RESTART ON	Restart feature turned off. Full price required after time expires. Timer may be restarted with one coin for 20 seconds after time expires.
20	[STD] USER MIX	Standard greeting message is displayed. User programmed custom greeting message is displayed. Standard message then custom message is displayed.

LED 7 MULTI OPERATING AND PROGRAMMING INSTRUCTIONS (cont.)

<u>ITEM</u>	<u>DISPLAY/OPTIONS</u>	<u>REPRESENTS</u>
21	MX:XX [5:00]	Length of washdown cycle using remote control. Adj. from 0:00 to 9:59.
22	XXXX [1 2 3 4]	Adjustable remote access code.
23	[ENG]	Standard message and prompt is displayed in English.
	SPH	Standard message and prompt is displayed in Spanish.
	E & S	Standard message and prompt is displayed in English then displayed in Spanish.
24	EXIT	Timer returns to standby.

Inventory

Timer keeps a running count of coins deposited and manual cycles.

To show inventory press **SET**. Timer will display COINS XXXX (Number of coin pulses since last cleared) then MANUAL XXXX (Number of washdown cycles used since last cleared).

To clear inventory: Press **SET** to display inventory. Press and hold **MODE** until display reads "CLR?". Release **MODE**. Press and hold **MODE** again until timer reads "DONE".

Bonus Time Settings

Amount of time set in bonus time is added to regular time per coin/pulse (e.g. if you want to give 45 seconds for bonus time and your regular time per coin/pulse is 30 seconds, you would set bonus time at 00:15)

Bonus is disabled by setting bonus time to 00:00.

If bonus time is set to less than one minute, bonus time is added when bonus coin is reached and every coin after that until time expires.

If bonus time is set at 01:00 or more, bonus time will be a "one time" bonus. Bonus time will only be added for bonus coin or multiples of bonus coin (e.g. 16th coin, 32d coin, etc). Any other coin will only receive regular time per coin.

If bonus time is set to 99:00, when bonus coin is deposited, timer will show "-ON-" and timer will continue to run until coin switch wire is shorted to ground by a loop detector or other switch closure for a minimum of two seconds.

Debit/Credit Mode:

Debit Mode: As coins are deposited display shows "\$1.75 MORE, \$1.50 MORE, \$1.25 MORE" etc. until start price is reached. Once start price is reached display switches to time accumulating until no more coins have been deposited.

Credit Mode: As coins are deposited display shows money accumulating (\$.25, \$.50, \$.75 etc.). If timer is also set to Delayed Start Mode timer will continue to show money accumulating until no more coins have been deposited. If timer is set to Instant Start mode, as soon as start price is reached, timer will change to time counting down.

Both Mode: As coins are deposited display shows money accumulating (\$.25, \$.50, \$.75 etc). If start price is not reached, after 5 seconds timer will alternate between "ADD \$X.XX MORE" and amount of money already deposited.

Messages

Standard greeting message (English): "PLEASE DEPOSIT \$2.00 TO START".

Standard greeting message (Spanish): "POR FAVOR DEPOSITO \$2.00 PARA EMPEZAR"

Standard exit message (English): "THANK YOU"

Standard exit message (Spanish): "GRACIAS"

Custom Message Programming:

A custom message can be programmed up to 64 characters (a space counts as a character).

To program a custom message: Push **MODE** until STD appears on display. Push **SET** until USER appears on display. Push and hold **MODE** until "/" appears on right side of display. Push **SET** until first letter of your custom message appears on right side of display. Push **MODE** . The first letter of your message will move over one position to the left and an "A" will appear on the far right. Push **SET** until the second letter of your message appears on the right. Continue in this fashion until your message is complete. (Push **MODE** to advance to the next space in your message, push **SET** to display the letter or character you need. The character you are programming will always be the far right digit.) At the end of your message you MUST put a "/" to indicate the end of the message. Once your message is complete, push and hold **MODE** until USER appears on the display. Push **MODE** until EXIT appears. Message programming is now complete

Multi-Function Messages:

A custom message of up to 32 characters may be programmed for each of the six functions.

When in standby and that function is selected, the timer will display the custom message and then the standard message. When timer is counting down and a different function is selected, timer will display the custom message and then display the time remaining.

To program a custom message for any of the six functions: Press **S2** until time per coin for that function is displayed. Press and hold **MODE** until “/” appears on display, then proceed as above, use **SET** to set letter or character required then press **MODE** to advance to next space. When message is complete, hold **MODE** until timer shows “DONE”.

Multi-Function Inputs:

To display time or price set for function 1: No voltage is applied to any input pins.

To display time or price set for function 2: Apply 24 vac hot to input pin 8

To display time or price set for function 3: Apply 24 vac hot to input pin 9.

To display time or price set for function 4: Apply 24 vac hot to input pins 8 and 9.

TIMER WIRING

PIN # FUNCTION

1 - Coin Common

2 - Coin Switch

3 - 12 VDC Out

4 - Horn Negative

5 - Horn Positive (12 VDC)

6 - 24 VAC Common

7 - 24 VAC Hot

8 - Function Input

9 - Function Input

10 - 24 VAC Timed Load

Operating Instructions:

- Select desired function via toggle switch.
- Insert coins or bills to start desired function.
- If shampoo is selected, it is necessary to vacuum before applying formula.
- Once service is used, hang up hose(s).

Changing fluids:

Disconnect power. Unscrew cap from empty bottle. Remove empty bottle. Insert new bottle into unit. Insert line into bottle and screw cap onto bottle. Reconnect power.

Maintenance:

- **All servicing of machine should be conducted by an authorized service representative!**
- Filter bags should be accessed and shaken down weekly. It is recommended to keep a new set of bags on hand so that once every few months the bags can be replaced and then laundered.
- To maintain performance, empty dirt bin from the canister on a regular basis.
- Periodically inspect wires and connections for wear or fatigue.
- Check vac hose for cracks on a weekly basis.
- Check formula bottles to assure that they are full.
- Check shampoo brush assembly for any signs of wear.
- Clean canister with a stainless steel cleaner as needed. Decals can be cleaned with mild soap and water.
- Check motor brushes approx. every 3 months for excessive wear. Motor brushes should be changed if they are shorter than 3/8". ***Please disconnect power before doing this.***



DISCONNECT POWER BEFORE SERVICING OR TROUBLESHOOTING!



Problem	Possible cause	Solution
Unit is not powered.	Switch under dome is off.	Turn switch on.
	No power to terminal strip under dome.	Check incoming power.
	Loose connection.	Check incoming power connection.
Display is not powering.	Switch under dome is off.	Turn switch on.
	Open unit and check 24 volts coming out of transformer.	If no voltage, replace transformer.

Machine is behaving erratically.	Is the incoming power at 120V?	Check voltage and monitor while machine runs. Low voltage can cause erratic behavior.
	Are any of the machines wires worn through or connections not making contact?	Inspect wiring and connections. Look for sharp bends in wires and places where wire is against the metal chassis.
Unit keeps tripping breaker.	Inadequate wire size ran to machine.	Call electrician and install proper wire size for 20amp service versus length or run.
	Wrong size breaker.	Install correct breaker (only if wire size is adequate to handle 20 amp breaker).
Fuses for vac motors keep blowing.	Inadequate wire size ran to machine.	Call electrician and install proper wire size for 20amp service versus length or run.
	Motor brushes may be bad or too short.	Replace motor brushes.
Lack of vacuum suction.	Vac hose clogged?	Clean debris from vac hose.
	Filter bags need cleaned or dirt chamber needs emptied?	Shake or clean filter bags or replace and empty lower dirt chamber.
	Vac hose is split?	Replace/repair vac hose.
	Cleanout door gaskets torn or worn?	Replace gaskets.
	Vac motor gaskets are worn or motor is not tight against.	Inspect/replace gaskets and assure motor is tight against them.
	Lower chamber cap plugs/mounting hole covers have popped out?	Open lower chamber and inspect plugs, order new if needed.
	Cleanout door gaskets torn or worn?	Replace gaskets.
	One of the vac motors is not working?	Check line motor fuse and replace. Replace motor if necessary.
Fluid will not draw through lines.	Is the pump coming on and turning?	Visually inspect pump, replace if necessary.
	Are line connections tight?	Fluids can dry out lines, clip ends and reattach, cable ties must be used for air-tight connection.
	Are lines clogged?	Try using a bottle of hot water to draw through lines.

DISCONNECT POWER BEFORE SERVICING OR TROUBLESHOOTING!




PART NO. 9500

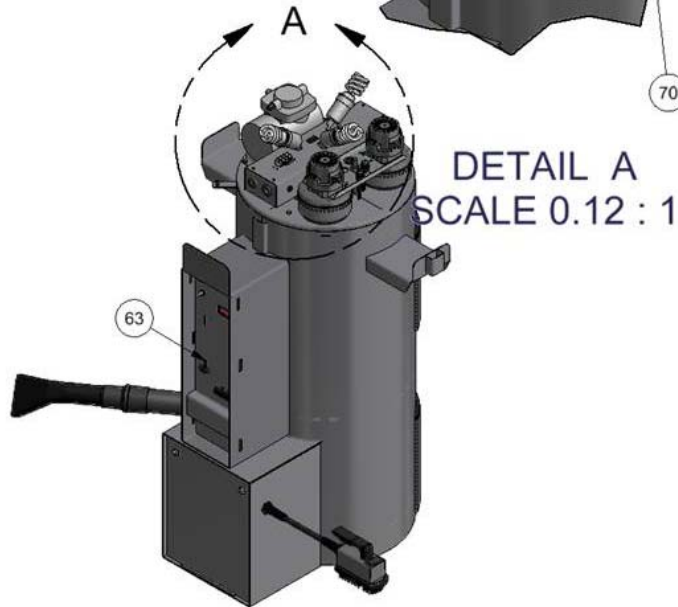
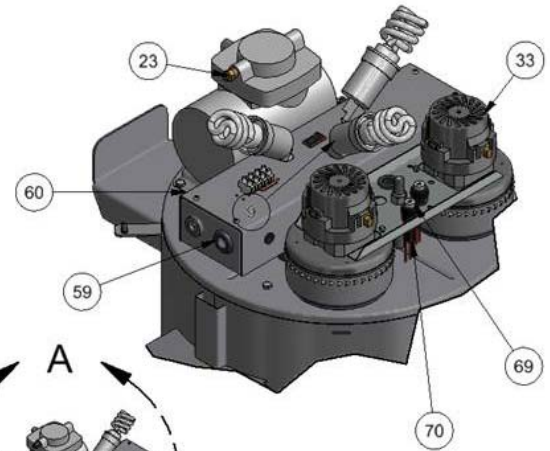
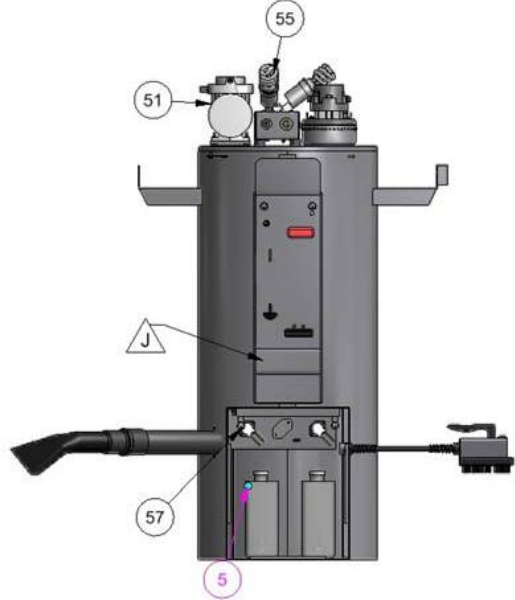
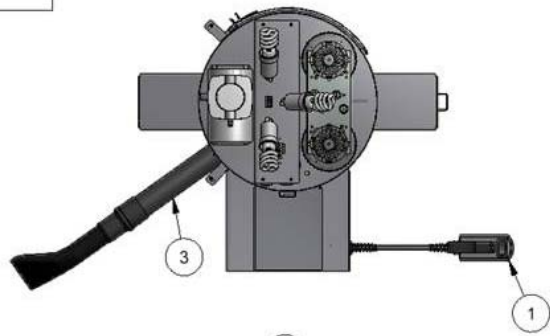
BILL OF MATERIALS				BILL OF MATERIALS			
ITEM	PART NUMBER	DESCRIPTION	QTY	ITEM	PART NUMBER	DESCRIPTION	QTY
40	8153-1	LATCH, CLEANOUT DOOR	4	1	11000-15	SHAMPOO BRUSH ASSEMBLY	1
41	8157	NUT, #6-32 KEPP NUT STAINLESS	2	2	11000SPOT	SPOT REMOVER FORMULA	1
42	8159	DOOR GASKET	2	3	2036	HOSE, 2" X 15' BLACK VACUUM	1
43	8183	DECAL, WARNING DISC POWER	2	4	2058	CLAW/CUFF ASSEMBLY, 2"	1
44	8204RW	WELDMENT, COIN BOX	1	5	28000-40	PLASTIC CONTAINER	2
45	8306	24" PLASTIC DOME	1	6	29000-29A-3	THOMAS PUMP ASSEMBLY, 9500	1
46	8549-1	FLEX STRAIN RELIEF	1	7	3105	3/16" NYLON TUBING	45"
47	8615-5W	CLEANOUT DOOR WELDMENT	2	8	5600D4	CARR BOLT, 3/8-16	4
48	8732	SERIAL TAG	1	9	5601D1	1/4-20 x 1/2 HHCS-ZINC PLATED	9
49	8754	DECAL, GAS DISPENSING	1	10	5602D1	NO. 10-24 HEX HEAD CAP SCREW	4
50	8802-1	BOTTLE CAP, DRILLED	2	11	5603D11	1/2 Std NC Nylock Nut	1
51	8824	1/12 H.P. AIR COMPRESSOR	1	12	5603D5	1/4 Std NC Nylock Nut	7
52	8843	DEBRIS FILTER	2	13	5606D22	FENDER WASHER 3/8	8
53	8847	FLEX HEATER	1	14	5606D7	FLAT WASHER, .160 ID X .500 OD	1
54	8848	THERMOSTAT	1	15	5611D2	NUT, 10-24 UNC KEPP- ZINC	4
55	8925	FLOURESCENT BULB	3	16	5614D1	SCREW, #6-32	2
56	8939	PALLET	1	17	5627D2	Pan Head, Slotted, 6-32 x 5/8	1
57	8953	MEDECO CAM LOCK W/2 KEYS	2	18	5639D1	RUBBER GROMMET	1
58	8957VS	COIN CHUTE, SCENT VAC	1	19	5639D9	ISOLATION MNT, 30 DUR NEOPRENE, 1/4-20	4
59	9500-11A	ELECTRICAL BOX ASSY, 9500	1				
60	9500-12A	ELECTRICAL BOX COVER ASSY	1	20	5647D2	RIVET, 1/8 POP	16
61	9500-19	COMPRESSOR BRACKET, SHAMPOO	1	21	5647D8	RIVET, 3/16 POP	14
62	9500-201	FACEPLATE, SHAMPOO BOX	1	22	5663D1	#8-32 x 1/2 PHILIPS	4
63	9500-21A	9500 FACEPLATE	1	23	5803D11	PUSHLOCK FITTING, 3/16 OD	1
64	9500-47	STAINLESS TUBE WEIGHT	2	24	5871b8	PLUG, VAC BOTTOM 2-1/2"	4
65	9500KIT	DECAL KIT	1	25	5900D4	WIRE TERMINAL, RED	4
66	9500W	CAN WELDMENT, SHAMPOO	1	26	5901D4	WIRE NUT ORANGE	2
67	9500WIN	SHAMPOO FORMULA	1	27	5902D1	RING TERMINAL, BLUE	1
68	B5722-002	NUT, LOCKNUT 3/8-16	4	28	5902D7	RING TERMINAL, YELLOW	2
69	B5996-010	FUSE, 10AMP	2	29	5943D322C	WIRE, 14G GRN/YEL	15"
70	B5997-001	FUSE HOLDER, 10A MAX	2	30	6082	BAG	1
				31	8000-25	WAGO WALL NUT	4
				32	8051G	BRACKET, MOTOR MOUNT	1
				33	8055EM	MOTOR, AMETEK 115V	2
				34	8055LEAD-EM	WIRE LEAD, VAC MOTOR	4
				35	8057	MOTOR GASKET	2
				36	8076	FILTER BAG	4
				37	8104-1	SECURITY BRACKET, DOOR	2
				38	8104-2	SECURITY BRACKET, CANISTER	2
				39	8108	#10 x 1/2 TAP SCREW	4

J	6534	REMOVE 6024, 8206, 8202W LOCK COVER PARTS	052511	JF
I	6066	REMOVED 9500SUM AND ADDED 9500WIN	8-27-10	CK
H	5222	ADD DECAL KIT	061209	JF
G	5029	TRANSFER TO INVENTOR, REDESIGN UNIT	032609	JF
REV	NO.	DESCRIPTION	DATE	BY

THIS DOCUMENT SHALL NOT BE REPRODUCED NOR SHALL THE INFORMATION THEREIN BE USED BY OR DISCLOSED TO OTHERS EXCEPT AS AUTHORIZED BY J.E. ADAMS INDUSTRIES

TITLE VAC, SHAMPOO/SPOT REM W/VAL	
UNSPECIFIED TOLERANCES	MATERIAL
1 PL ±.030	SCALE
2 PL ±.010	DRAWN BY JOHN F.
3 PL ±.003	DATE 3/10/2009
ANGLE ±1.0°	PART NO. 9500
	
REV. J	

PART NO. 9500



DETAIL A
SCALE 0.12 : 1

REV	NO.	DESCRIPTION	DATE	BY	TITLE	MATERIAL	SCALE	DRAWN BY	DATE	PART NO.	REV.
J	6534	REMOVE LOCK COVER KIT AS THIS IS PURCHASED SEPARATLEY	052511	JF	VAC, SHAMPOO/SPOT REM W/VAL						
H	5222	ADD DECAL KIT	061209	JF	UNSPECIFIED TOLERANCES						
G	5029	TRANSFER TO INVENTOR, REDESIGN UNIT	032609	JF	1 PL ±.030						
					2 PL ±.010			JOHN F.			
					3 PL ±.003				3/10/2009	9500	J
					ANGLE ±1.0°						

THIS DOCUMENT SHALL NOT BE REPRODUCED NOR SHALL THE INFORMATION THEREIN BE USED BY OR DISCLOSED TO OTHERS EXCEPT AS AUTHORIZED BY J.E. ADAMS INDUSTRIES




PART NO. 9500VR

BILL OF MATERIALS				BILL OF MATERIALS			
ITEM	PART NUMBER	DESCRIPTION	QTY	ITEM	PART NUMBER	DESCRIPTION	QTY
50	5803D11	PUSHLOCK FITTING, 3/16 OD	1	1	9500W3	CAN WELDMENT, SHAMPOO	1
51	5614D1	SCREW, #6-32	2	4	8549-1	FLEX STRAIN RELIEF	1
52	8847	FLEX HEATER	1	5	8076	FILTER BAG	4
53	8055LEAD	WIRE LEAD, VAC MOTOR	4	6	8159	DOOR GASKET	2
54	8925	FLOURESCENT BULB	3	7	8057	MOTOR GASKET	2
55	5871b8	PLUG, VAC BOTTOM 2-1/2"	4	8	5639D9	ISOLATION MNT, 30 DUR NEOPRENE, 1/4-20	4
56	B5997-001	FUSE HOLDER, 10A MAX	2				
57	5639D1	RUBBER GROMMET	1	9	8824	1/12 H.P. AIR COMPRESSOR	1
58	B5996-010	FUSE, 10AMP	2	10	9500-19	COMPRESSOR BRACKET, SHAMPOO	1
59	5627D2	Pan Head, Slotted, 6-32 x 5/8	1	11	5601D1	1/4-20 x 1/2 HHCS-ZINC PLATED	9
60	5606D7	FLAT WASHER, .160 ID X .500 OD	1	12	5603D5	1/4 Std NC Nylock Nut	7
61	8157	NUT, #6-32 KEPP NUT STAINLESS	2	13	9500-11A	ELECTRICAL BOX ASSY, 9500	1
62	8732	SERIAL TAG	1	15	8051G	BRACKET, MOTOR MOUNT	1
63	8754	DECAL, GAS DISPENSING	1	16	5603D11	1/2 Std NC Nylock Nut	1
64	8182	DECAL, WARNING DISC POWER	2	17	9500-12A	ELECTRICAL BOX COVER ASSY	1
65	3105	3/16" NYLON TUBING	45"	18	8108	#10 x 1/2 TAP SCREW	4
66	5943D322C	WIRE, 14G GRN/YEL	15"	19	2036	HOSE, 2" X 15' BLACK VACUUM	1
67	5901D4	WIRE NUT ORANGE	2	20	2056-BLACK	2" BLACK CLAW NOZZLE "ADAMS"	1
68	5900D4	WIRE TERMINAL, RED	4	21	2091	2" SWIVEL CUFF BLACK	1
69	5647D2	RIVET, 1/8 POP	16	22	8615-5W	CLEANOUT DOOR WELDMENT	2
70	5647D8	RIVET, 3/16 POP	14	23	8153-1	LATCH, CLEANOUT DOOR	4
71	8000-25	WAGO WALL NUT	4	28	8953	MEDECO CAM LOCK W/2 KEYS	2
72	5902D7	RING TERMINAL, YELLOW	2	29	9500WIN	WINTER SHAMPOO FORMULA	1
73	5902D1	RING TERMINAL, BLUE	1	30	8802-1	BOTTLE CAP, DRILLED	2
74	9500KIT	DECAL KIT	1	31	11000SPOT	SPOT REMOVER FORMULA	1
		PACKAGING		33	9500-47	STAINLESS TUBE WEIGHT	2
	8605	PALLET	1	36	11000-15	SHAMPOO BRUSH ASSEMBLY	1
	5600D4	CARR BOLT, 3/8-16	4	37	9500-201	FACEPLATE, SHAMPOO BOX	1
	5606D3	WASHER 3/8	4	41	8306	24" PLASTIC DOME	1
	B5722-002	NUT, LOCKNUT 3/8-16	4	42	9500-21A	9500 FACEPLATE	1
	6082	BAG	1	43	29000-29A-3	THOMAS PUMP ASSEMBLY, 9500	1
62	8055EM	MOTOR, ELECTRO 120V	2	44	8843	DEBRIS FILTER	2
				46	5602D1	NO. 10-24 HEX HEAD CAP SCREW	4
				47	5611D2	NUT, 10-24 UNC KEPP- ZINC	4
				48	5663D1	#8-32 x 1/2 PHILIPS	4
				49	8848	THERMOSTAT	1

A

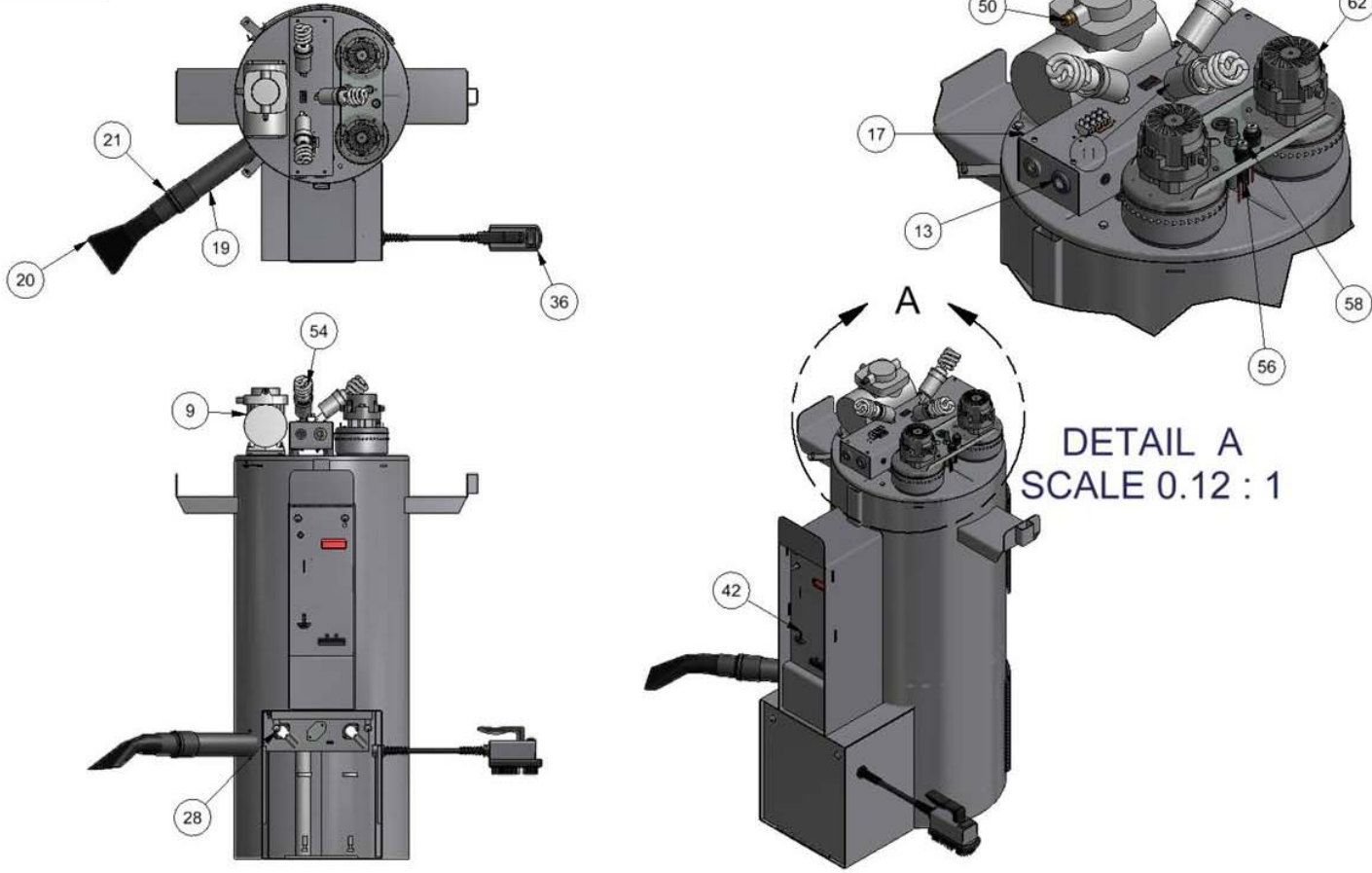
TITLE VAC, SHAMP/SPOT REM, VR, W/VAL

B	6067	REMOVED 9500SUM AND ADDED 9500WIN	8-27-10	CK
A	5223	ADD DECAL KIT	061209	JF
REV	NO.	DESCRIPTION	DATE	BY


UNSPECIFIED TOLERANCES 1 PL ±.030 2 PL ±.010 3 PL ±.003 ANGLE ±1.0°	MATERIAL		CEGAR RAPIDS, IOWA
	SCALE		
	DRAWN BY JOHN F.		
DATE 3/10/2009	PART NO. 9500VR	REV. B	

THIS DOCUMENT SHALL NOT BE REPRODUCED NOR SHALL THE INFORMATION THEREIN BE USED BY OR DISCLOSED TO OTHERS EXCEPT AS AUTHORIZED BY J.E. ADAMS INDUSTRIES

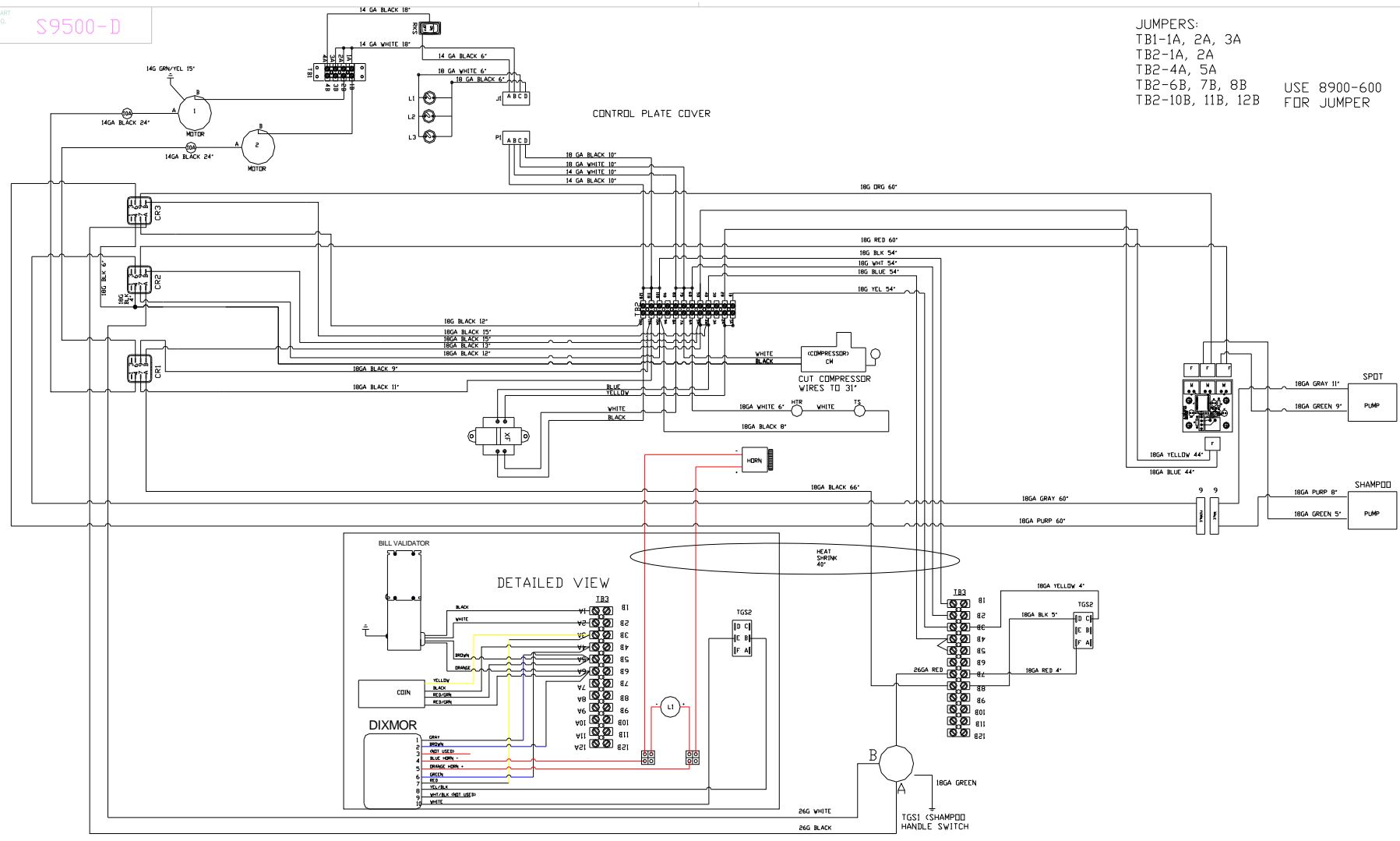
PART NO. 9500VR



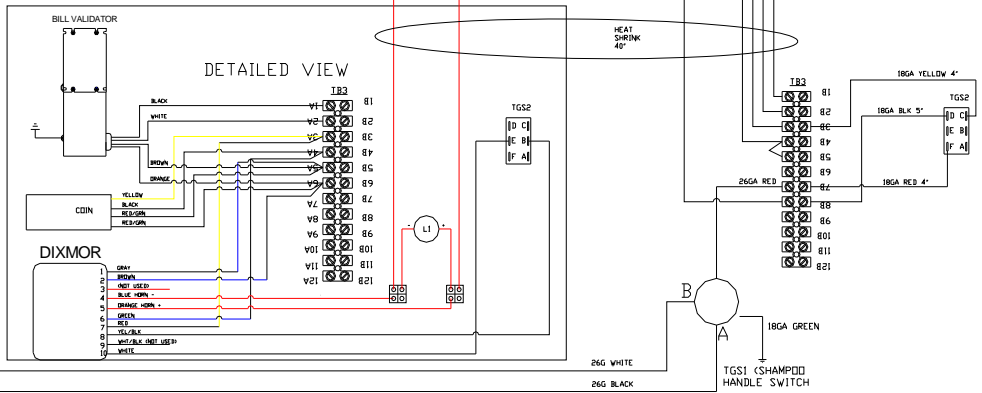
DETAIL A
SCALE 0.12 : 1

REV		NO.	DESCRIPTION	DATE	BY	TITLE	
A	5223		ADD DECAL KIT	061209	JF	VAC, SHAMP/SPOT REM, VR, W/VAL	
THIS DOCUMENT SHALL NOT BE REPRODUCED NOR SHALL THE INFORMATION THEREIN BE USED BY OR DISCLOSED TO OTHERS EXCEPT AS AUTHORIZED BY J.E. ADAMS INDUSTRIES						UNSPECIFIED TOLERANCES	MATERIAL
						1 PL ±.030	SCALE
						2 PL ±.010	DRAWN BY JOHN F.
						3 PL ±.003	DATE 3/10/2009
						ANGLE ±1.0°	CEDAR RAPIDS, IOWA
							
						PART NO. 9500VR	REV. B

PART NO. S9500-D



JUMPERS:
 TB1-1A, 2A, 3A
 TB2-1A, 2A
 TB2-4A, 5A
 TB2-6B, 7B, 8B USE 8900-600
 TB2-10B, 11B, 12B FOR JUMPER



THIS DOCUMENT SHALL NOT BE REPRODUCED NOR SHALL THE INFORMATION THEREIN BE USED BY OR DISCLOSED TO OTHERS EXCEPT AS AUTHORIZED BY J.E. ADAMS INDUSTRIES

PART NO. S9500-D



UNSPECIFIED TOLERANCES
 1 PL ±.030
 2 PL ±.010
 3 PL ±.003
 ANGLE ±1.0°

TITLE		SHAMPOO/ VAC	
DRAWN BY	DATE	SCALE	REL. FOR PROD.
CK	7-2-12	-	-
MATERIAL	PART NO.	REV. LEVEL	
-	S9500-D	-	

REV	NO.	DESCRIPTION	DATE	BY