



Models- 9225 – 9235
Commercial Vacuums

Page 2	Product Information
Page 3	Product Dimensions
Page 4	Specifications
Page 5	Important Safety Instructions
Page 5-8	Installation
Page 9	Programming
Page 10	Operating
Page 10	Maintenance
Page 11	Troubleshooting
Page 12-17	Parts List
Page 18-21	Wiring Diagram



PRODUCT INFORMATION

Please take a moment to fill out the information below in order to aid us with any future sales or service inquiries. Model number and serial number information can be found on the serial tag located inside the control box and/or on the lower exterior of the can. Key number can be found on the tag that comes attached to the keys. There may be more than one key number depending on unit.

Please keep this information with your records.

MODEL#: _____

SERIAL#: _____

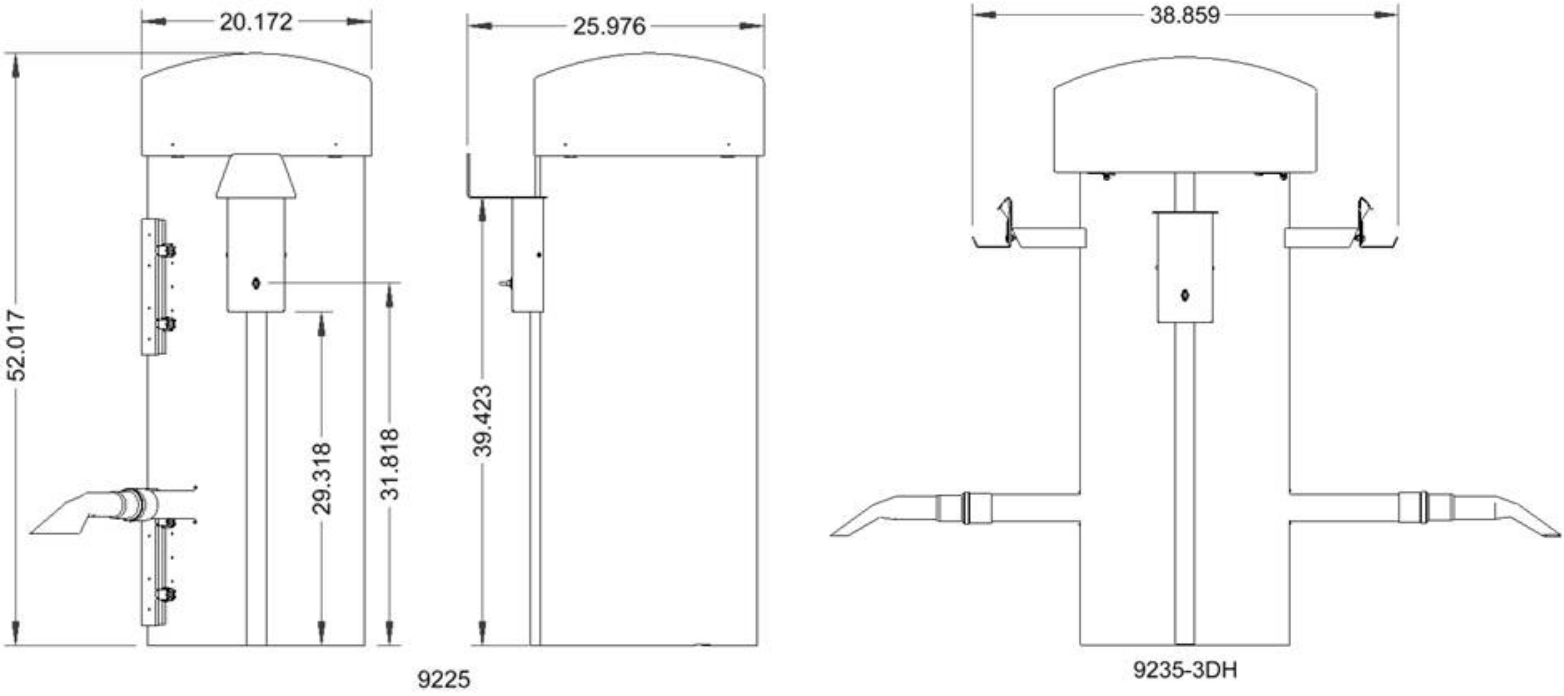
KEY NUMBER(S): _____

DATE PURCHASED: _____

DISTRIBUTOR: _____

**J.E. Adams Industries
1025 63rd Ave. S.W.
Cedar Rapids, IA 52404
1-800-553-8861
www.jeadams.com**

PRODUCT DIMENSIONS



Specifications

Unit specifications: (9225, 9225-2, 9235, 9235LD)

Voltage: 120vac, 60hz
Amperage: (1) 20 amp service is required for this unit.
Weight: 110-135 lbs with pallet attached.

2 Motor 120V Vacuum Units

Vac specifications:

Motors: (2) 120vac vacuum motors.
Fuses: (2) 10 amp inline fuses.

Unit specifications: (9225-3, 9235-3, 9235-3LD, 9235-3DH, 9235-3DH-WALL)

Voltage: 120vac, 60hz
Amperage: (1) 30 amp service is required for this unit.
Weight: 140 lbs with pallet attached.

3 Motor 120V Vacuum Units

Vac specifications: (9225-3, 9235-3, 9235-3LD, 9235-3DH, 9235-3DH-WALL)

Motors: (3) 120vac vacuum motors.
Fuses: (3) 10 amp inline fuses.

Unit specifications: (9225-220V, 9235-220V, *9235-3-220V, *9235-3DH-220V)

Voltage: 220v, 50hz
Amperage: (1) 15 amp service is required for 2 motor units, *(1) 20 amp service is required for 3 motor units.
Weight: 125-140 lbs with pallet attached.

2 & 3 Motor 220V Vacuum Units

Vac specifications:

Motors: (2) or (3) 220vac vacuum motors depending on model.
Fuses: (2) or (3) 8 amp inline fuses, depending on model.

Duty cycle time 4 minutes on, 4 minutes off.

NOTE: "UNIT INTENDED FOR COMMERCIAL USE ONLY"

IMPORTANT SAFETY INSTRUCTIONS

When using an electrical appliance, basic precautions should always be followed, including the following:

READ ALL INSTRUCTIONS BEFORE USING (THIS APPLIANCE)

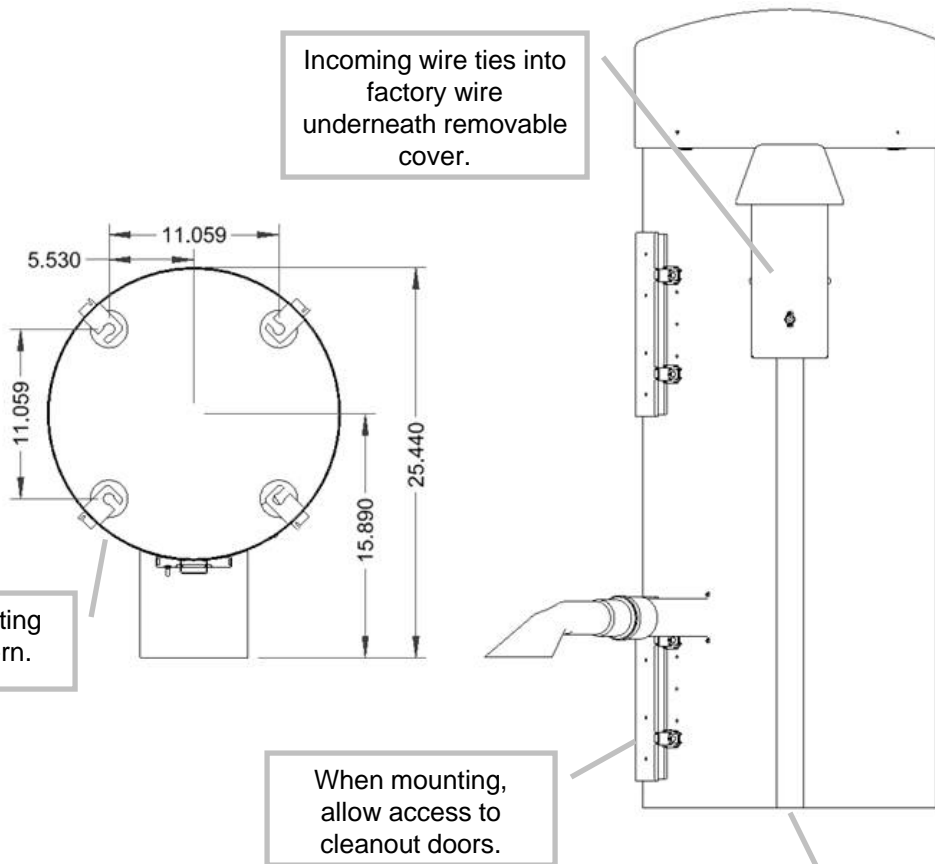
WARNING – To reduce the risk of fire, electric shock, or injury:

- Do not use on wet surfaces.
- Use only as described in manual. Use only manufactures recommended attachments.
- Do not allow to be used as a toy. Close attention is necessary when used by or near children.
- Do not put any object into openings. Do not use with any opening blocked; keep free of dust, lint, hair and anything that may reduce air flow.
- Keep hair, loose clothing, fingers, and all parts of body away from openings and moving parts.
- Do not use to pick up flammable or combustible liquids, such as gasoline, or use in areas where they may be present.
- Do not pick up anything that is burning or smoking, such as cigarettes, matches, or hot ashes.
- Do not use without dust bag and/or filters in place.



SAVE THESE INSTRUCTIONS

- **Installation Instructions:**
- Determine location to mount unit (“**DANGER**” “**THIS EQUIPMENT INCORPORATES PARTS SUCH AS SWITCHES, MOTORS, OR THE LIKE THAT TEND TO PRODUCE ARCS OR SPARKS THAT CAN CAUSE AN EXPLOSION. WHEN LOCATED IN GASOLINE-DISPENSING AND SERVICE STATIONS INSTALL AND USE AT LEAST 20 FEET (6 M) HORIZONTALLY FROM THE EXTERIOR ENCLOSURE OF ANY DISPENSING PUMP AND AT LEAST 18 INCHES (450 MM) ABOVE A DRIVEWAY OR GROUND LEVEL.**”
- Run electrical service to that location (*NOTE UNIT HAS WIRE PROVIDED UNDERNEATH TO CONNECT INCOMING POWER SUPPLY*)
- **Grounding Instructions:** This appliance must be connected to a grounded metal, permanent wiring system; or an equipment-grounding conductor must be run with the circuit conductors and connected to the equipment-grounding terminal or lead on the appliance.
- All local and national electric codes must be followed for installation and use.
- Licensed electricians are recommended for installation.



Mounting pattern.

When mounting, allow access to cleanout doors.

Incoming wire ties into factory wire underneath removable cover.



Detailed view: incoming power to terminal strip.

Bring incoming power up through the service channel.

Once unit has been installed use 5871B8 cap plugs (supplied with unit) to seal holes in canister bottom located in lower cleanout door (see illustration on subsequent page). Extra cap plugs are included with the unit in case plug becomes damaged during shipping removal. After cap plugs are installed, then connect unit to power (see below illustration).
 NOTE: when mounting unit, don't forget to allow clearance for clean-out door to swing open.

Floor standing model



Remove cover and tie into factory electrical here. Note: end user must provide on/off switch.

Bring incoming power through this conduit hole.

Drill 4 holes for support brackets, size according to hardware – use 5/8 diameter minimum for hardware.



Once unit has been installed use 5871B8 cap plugs (supplied with unit) to seal holes in canister bottom located in lower cleanout door (see illustration on next page). Extra cap plugs are included with the unit in case plug becomes damaged during shipping removal. After cap plugs are installed, then connect unit to power (see below illustration). NOTE: when mounting unit, don't forget to allow clearance for clean-out door to swing open.

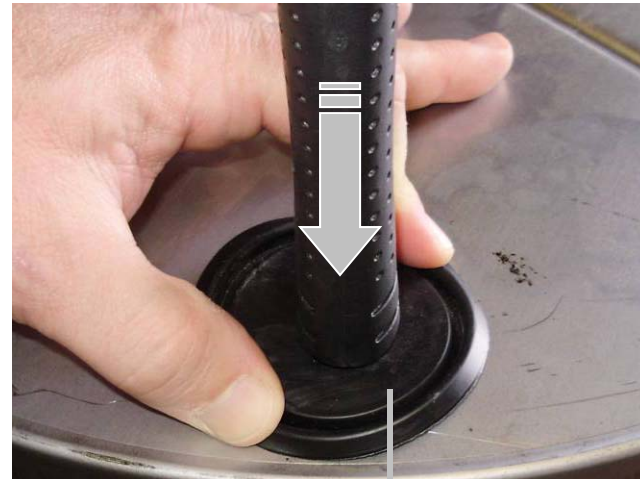
Installation hardware needs to be selected by the end user as installation surfaces vary from concrete, to block, to wood walls. Height to install to is also up to the end user. Use at least two people to lift during installation.

Wall mount model

To attach hose, thread into metal hole counter clockwise.



Edge of hose will need to start here.



To insert 5871B8 cap plugs into bottom holes, pinch cap plug into place using index finger and thumb. With edges of plug resting against edges of hole, firmly push down on plug with end of hammer or other blunt object until plug snaps into place.

Operating Instructions:

- Turn toggle switch to on position when machine needs to run, and off position when finished.
- In the case of a push button kit, press push button to activate machine. It will automatically shut off.
- Remove vacuum hose from hanger and vacuum subject accordingly. Do not vacuum wet objects or fine dust (ex – drywall dust).
- Return vacuum hose to hanger when finished.
- In the case of a dual hose model, hose claw must be returned to hanger and set against rubber pad to eliminate leaks in vacuum system. This will allow the opposite hose to have more suction while in use.

Maintenance:

- **All servicing of machine should be conducted by an authorized service representative!**
- Filter bags should be accessed and shaken down weekly. It is recommended to keep a new set of bags on hand so that once every few months the bags can be replaced and then laundered.
- To maintain performance, empty dirt bin from the canister on a regular basis.
- Periodically inspect wires and connections for wear or fatigue.
- Check vac hose for cracks on a weekly basis.
- Clean canister with a stainless steel cleaner as needed. Decals can be cleaned with mild soap and water.
- Check motor brushes approx. every 3 months for excessive wear. Motor brushes should be changed if they are shorter than 3/8". ***Please disconnect power before doing this.***




DISCONNECT POWER BEFORE SERVICING OR TROUBLESHOOTING!



Troubleshooting: !DISCONNECT POWER BEFORE SERVICING OR TROUBLESHOOTING!


Problem	Possible cause	Solution
Unit is not powered.	Breaker inside fuse panel is not in the on position.	Turn breaker on.
	No power to machine.	Check incoming power line voltage.
	Loose connection.	Check incoming power connection.
Machine is behaving erratically.	Is the incoming power at 120V?	Check voltage and monitor while machine runs. Low voltage can cause erratic behavior.
	Are any of the machines wires worn through or connections not making contact?	Inspect wiring and connections. Look for sharp bends in wires and places where wire is against the metal chassis.
Unit keeps tripping breaker.	Inadequate wire size ran to machine.	Call electrician and install proper wire size for electrical service versus length or run.
	Wrong size breaker.	Install correct breaker (only if wire size is adequate to handle breaker).
Fuses for vac motors keep blowing.	Inadequate wire size ran to machine.	Call electrician and install proper wire size for electrical service versus length or run.
	Motor brushes may be bad or too short.	Replace motor brushes.
Lack of vacuum suction.	Vac hose clogged?	Clean debris from vac hose.
	Filter bags need cleaned or dirt chamber needs emptied?	Shake or clean filter bags or replace and empty lower dirt chamber.
	Vac hose is split?	Replace/repair vac hose.
	Cleanout door gaskets torn or worn?	Replace gaskets.
	Vac motor gaskets are worn or motor is not tight against.	Inspect/replace gaskets and assure motor is tight against them.
	Dual vac hose unit, both hoses are being used.	When both hoses are being used, suction will be lower. Double check all 3 motors are working however.
	Lower chamber cap plugs/mounting hole covers have popped out?	Open lower chamber and inspect plugs, order new if needed.
	Cleanout door gaskets torn or worn?	Replace gaskets.
	One of the vac motors is not working?	Check line motor fuse and replace. Replace motor if necessary.

PART NO.		9225					
BILL OF MATERIALS				BILL OF MATERIALS			
ITEM	PART NUMBER	DESCRIPTION	QTY	ITEM	PART NUMBER	DESCRIPTION	QTY
33	8159	DOOR GASKET	2	1	1000	BIRD SEED, 10LBS	1
34	8183	DECAL, WARNING	2	2	2036	HOSE, 2" X 15' BLACK VACUUM	1
35	8221WH2	2 MOTOR WIRE HARNESS	1	3	2058	CLAW/CUFF ASSEMBLY, 2"	1
36	8423-2	DECAL, DOME	1	4	5600D4	3/8-16 X 1.5 HHCS	4
37	8424-1	DECAL, CANISTER	1	5	5603D1	10 Std NC Nylock Nut	1
38	8429-1	DECAL, HANG HOSE	1	6	5603D11	1/2 Std NC Nylock Nut	1
39	8437D001	DECAL, ETL LISTED	1	7	5606D22	WASHER, 3/8 FENDER	8
40	8505-1	COVER, CONTROL PLATE	1	8	5606D7	FLAT WASHER, .160 ID X .500 OD	1
41	8605	PALLET, VAC, 26" X 30.5"	1	9	5619D1	SCR, HEX SOC BUT, HD CPCW, 1	4
42	8615-5W	CLEANOUT DOOR WELDMENT	2	10	5627D2	Pan Head, Slotted, 6-32 x 5/8	1
43	8630B36	BUBBLE WRAP	26"	11	5636D1	#10-24 PHIL. PAN HEAD SCREW	2
44	8631	11 X 55 PAD FOR VAC	1	12	5639D4	RUBBER GROMMET	1
45	8673-10	2 MTR COMMERCIAL WIRE HARNESS	1	13	5647D2	1/8" SS POP RIVET	16
46	8828	TOGGLE SWITCH PLATE	1	14	5647D8	3/16" SS POP RIVET	14
47	9226W	CANISTER WELDMENT, 2D, COMMERCIAL	1	15	5871B9	PLASTIC VAC LID PLUG	4
48	B5722-002	NUT, 3/8-16 UNC HEX LOCK NUT	4	16	5871b8	PLUG, VAC BOTTOM 2-1/2"	8
				17	5901D1	YELLOW WIRE NUT	2
				18	5901D4	ORANGE WIRE NUT	2
				19	5920	BOOT, TOGGLE SWITCH	1
				20	6082	BAG, 9 X 12	1
				21	8047	BAG, 60 X 72	1
				22	8051G	BRACKET, MOTOR MOUNT	1
				23	8055EM	MOTOR, ELECTRO 120V	2
				24	8055LEAD-EM	WIRE LEAD, EM VAC MOTOR	4
				25	8057	MOTOR GASKET	2
				26	8076	FILTER BAG	4
				27	8081	CABLE TIE MOUNT	2
				28	8084	CABLE TIE	3
				29	8101	20" STAINLESS STEEL DOME	1
				30	8108	#10 x 1/2 TAP SCREW	4
				31	8153-1	LATCH, CLEANOUT DOOR	4
				32	8157	NUT, #6-32 KEPP NUT STAINLESS	1
				UNSPECIFIED TOLERANCES			
				MATERIAL			
				SCALE			
				DRAWN BY CHAD K.			
				DATE 4/26/2011			
				PART NO. 9225			
				REV. E			
E	6472	REVISED AND REDRAWN TO INVENTOR FROM AUTOCAD	4-26-11	CK			
REV	NO.	DESCRIPTION	DATE	BY			
THIS DOCUMENT SHALL NOT BE REPRODUCED NOR SHALL THE INFORMATION THEREIN BE USED BY OR DISCLOSED TO OTHERS EXCEPT AS AUTHORIZED BY J.E. ADAMS INDUSTRIES							

PART NO.	9235-3LD
----------	----------

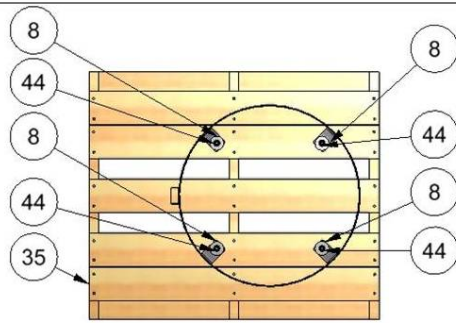
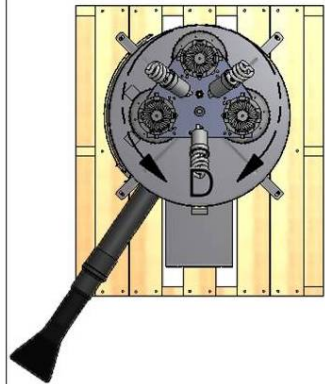
BILL OF MATERIALS				BILL OF MATERIALS			
ITEM	PART NUMBE	DESCRIPTION	QTY	ITEM	PART NUMBE	DESCRIPTION	QTY
29	8306	24" PLASTIC DOME	1	1	1000	BIRD SEED, 10LBS	1
30	8424-1	DECAL, CANISTER	1	2	2036	HOSE, 2" X 15' BLACK VACUUM	1
31	8429-1	DECAL, HANG HOSE	1	3	2058	CLAW/CUFF ASSEMBLY, 2"	1
32	8437D001	DECAL, ETL LISTED	1	4	5600D4	3/8-16 X 1.5 HHCS	4
33	8505-1	COVER, CONTROL PLATE	1	5	5601D13	1/4-20 x 3/4 AQ BR OSC FAN	4
34	8543K-3	3 MOTOR LIGHT KIT	1	6	5603D1	10 Std NC Nylock Nut	1
35	8605	PALLET, VAC, 26" X 30.5"	1	7	5603D11	1/2 Std NC Nylock Nut	1
36	8615-5W	CLEANOUT DOOR WELDMENT	2	8	5606D22	WASHER, 3/8 FENDER	8
37	8631	11 X 55 PAD FOR VAC	1	9	5606D7	FLAT WASHER, .160 ID X .500 OD	1
38	8673-10-3	3 MTR COMMERCIAL WIRE HARNESS	1	10	5627D2	Pan Head, Slotted, 6-32 x 5/8	1
39	8732	NAMEPLATE, PRODUCT SPEC'S	1	11	5636D1	#10-24 PHIL. PAN HEAD SCREW	2
40	8754	WARNING DECAL	1	12	5647D2	1/8" SS POP RIVET	16
41	8828	TOGGLE SWITCH PLATE	1	13	5647D8	3/16" SS POP RIVET	14
42	8925	FLOURESCENT BULB	3	14	5871b8	PLUG, VAC BOTTOM 2-1/2"	8
43	9236-3W	CANISTER WELDMENT, 2D, 3 MTR COMMERCIAL	1	15	5920	BOOT, TOGGLE SWITCH	1
44	B5722-002	NUT, 3/8-16 UNC HEX LOCK NUT	4	16	6082	BAG, 9 X 12	1
				17	8047	BAG, 60 X 72	1
				18	8055EM	MOTOR, ELECTRO 120V	3
				19	8057	MOTOR GASKET	3
				20	8076	FILTER BAG	4
				21	8081	CABLE TIE MOUNT	2
				22	8084	CABLE TIE	3
				23	8108	#10 x 1/2 TAP SCREW	6
				24	8153-1	LATCH, CLEANOUT DOOR	4
				25	8157	NUT, #6-32 KEPP NUT STAINLESS	1
				26	8159	DOOR GASKET	2
				27	8183	DECAL, WARNING	2
28	8221WH3	WIRE HARNESS, 3 MOTOR	1				



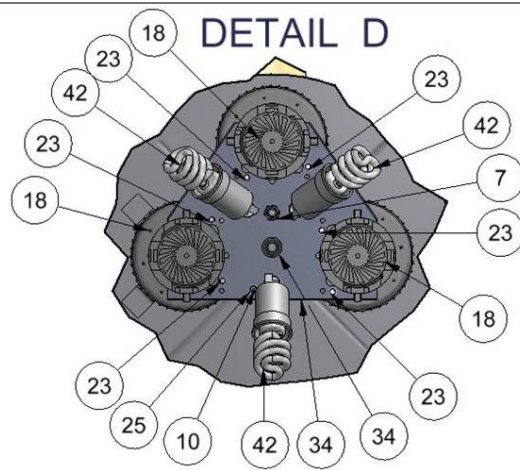
TITLE		VAC, 2DR, 3 MOTOR COMMERCIAL, LD		
UNSPECIFIED TOLERANCES	MATERIAL	CEDAR RAPIDS, IOWA		
1 PL ±.030	SCALE			
2 PL ±.010	DRAWN BY			CHAD K.
3 PL ±.003	DATE			4/29/2011
ANGLE ±1.0°	PART NO.	9235-3LD	REV. A	

A	6486	REVISED AND DRAWN TO INVENTOR; NO PREVIOUS DRAWING	4-29-11	CK
REV	NO.	DESCRIPTION	DATE	BY
THIS DOCUMENT SHALL NOT BE REPRODUCED NOR SHALL THE INFORMATION THEREIN BE USED BY OR DISCLOSED TO OTHERS EXCEPT AS AUTHORIZED BY J.E. ADAMS INDUSTRIES				

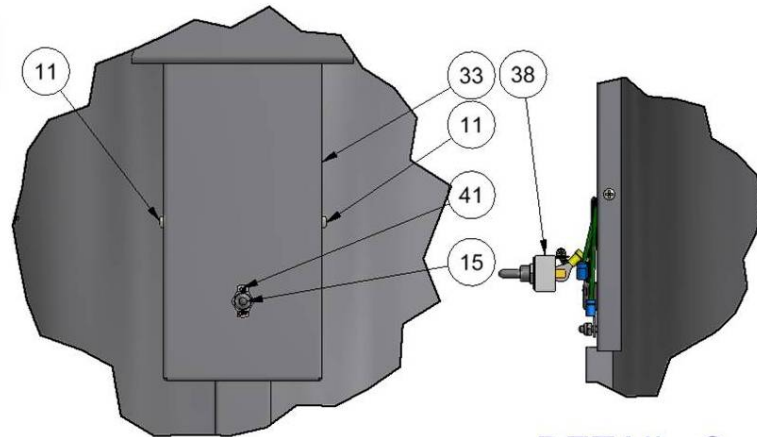
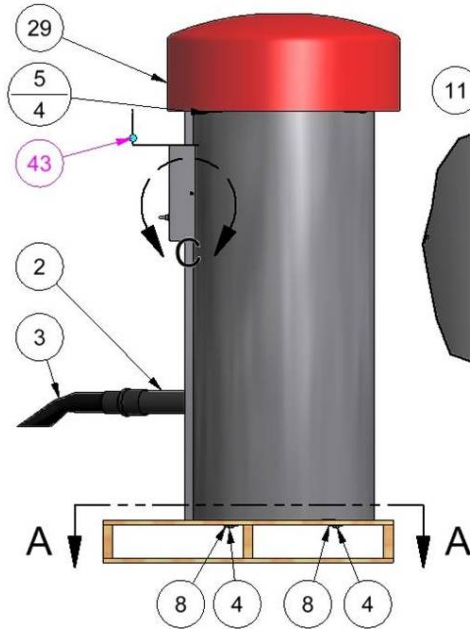
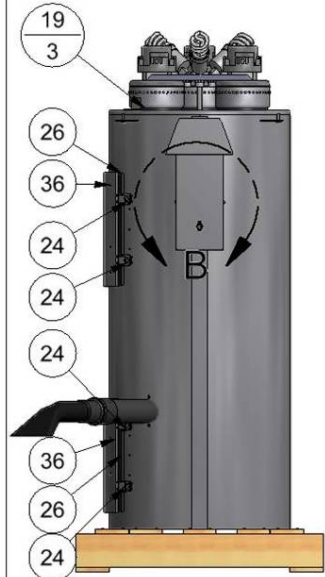
PART NO. 9235-3LD



SECTION A-A



DETAIL D



DETAIL B

DETAIL C

TITLE VAC, 2DR, 3 MOTOR COMMERCIAL, LD

UNSPECIFIED TOLERANCES

1 PL ±.030
2 PL ±.010
3 PL ±.003
ANGLE ±1.0°

MATERIAL

SCALE

DRAWN BY CHAD K.

DATE 4/29/2011

CEDAR RAPIDS, IOWA



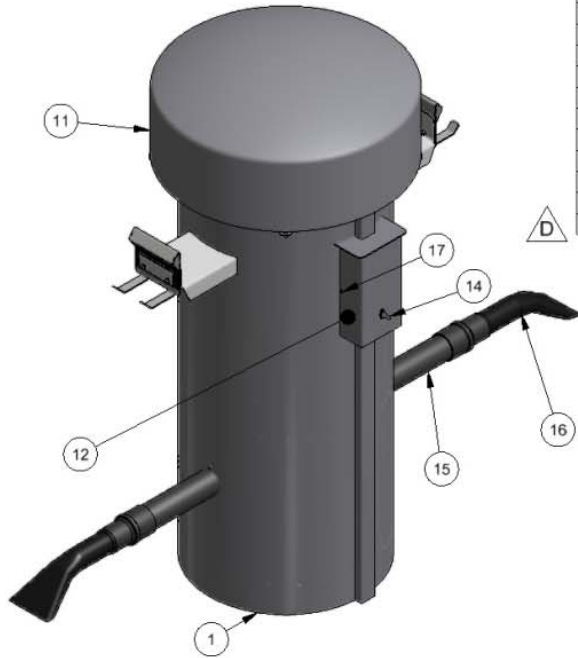
PART NO. 9235-3LD

REV. A

REV	NO.	DESCRIPTION	DATE	BY
THIS DOCUMENT SHALL NOT BE REPRODUCED NOR SHALL THE INFORMATION THEREIN BE USED BY OR DISCLOSED TO OTHERS EXCEPT AS AUTHORIZED BY J.E. ADAMS INDUSTRIES				

PART NO. **9235-3DH**

NOTES:
 1. PACKAGE CLAW HANGER AND NOTED COMPONENTS ASSEMBLED AS A UNIT BUT UNATTACHED TO PROTECT FROM SHIPPING DAMAGE.



△

△

THIS MODEL IS A SPECIAL "DUAL HOSE" UNIT BASED ON JE ADAMS MODEL 9235-3. NOTE: HOSES HAVE LIMITED SHUTOFFS BUT MOST AIR FLOW IS OBSTRUCTED WHILE HOSES HANG IN HOLDERS.

BILL OF MATERIALS				BILL OF MATERIALS			
ITEM	PART NUMBER	DESCRIPTION	QTY	ITEM	PART NUMBER	DESCRIPTION	QTY
30	8597	WASHER, 5/16 SAE FLAT ZP	3	1	9236-3W-DH	3 MOTOR VAC CANISTER W/C	1
31	8598	WASHER, 5/16 LOCK ZP	3	2	8057	MOTOR GASKET	3
32	8732	NAME PLATE, PRODUCT SPEC	1	3	8055EM	MOTOR, ELECTRO 120V	3
33	8437D001	DECAL - ETL LISTED ANSI/UL	1	4	8051-3M	3 MOTOR BRACKET	1
34	5871B8	PLUG, RECESSED	8	5	5603D11	1/2 Std NF Nylock Nut	1
35	6082	BAG 9 X 12	1	6	8076	FILTER BAG	4
36	2058-14	PLATE, RUBBER SUPPORT, VAC	2	7	8108	#10 x 1/2 TAP SCREW	6
37	5601D4	1/4-20 x 3/4 HHCS-SS	4	8	5611D2	NUT, 10-24 UNC KEPP- ZINC	1
38	5603D2	1/4 Std NC Nylock Nut	4	9	5639D4	RUBBER GROMMET	1
39	2058-3	RUBBER PAD, HOSE HANGER	2	10	5627D2	6-32 x .625 PHIL. PAN -MACHINE SCREW	2
40	8427-1	DECAL, VACUUM	2	11	8305	ASSEMBLED SS DOME	1
41	8423-2	DECAL, VACUUM DOME	1	12	8505-1	COVER, CONTROL PLATE	1
42	8673-10-3	WIRING ASSY	1	13	8828	TOGGLE SWITCH PLATE	1
43	8055LEAD-EM	MOTOR LEAD	6	14	5920	BOOT, TOGGLE SWITCH	1
44	B5996-010	FUSE, 10A	3	15	2036	HOSE, 2" X 15' BLACK VACUUM	2
45	B5997-001	FUSE HOLDER, INLINE	3	16	2058	CLAW/CUFF ASSEMBLY, 2"	2
46	5901D2	WIRE NUT, RED	2	17	5636D1	#10-24 PHIL. PAN HEAD SCREW	1
47		PACKAGING		18	8159	DOOR GASKET	2
48	5600D4	BOLT HHEAD 3/8-16 X 1-1/2	4	19	8615-SW	CLEANOUT DOOR WELDMENT	2
49	5606D22	FENDER WASHER, 3/8	8	20	8153-1	LATCH CLEANOUT DOOR	4
50	B5722-002	NUT, HEX LOCKNUT	4	21	8081	CABLE TIE MOUNT	1
51	8939	PALLET	1	22	8084	CABLE TIE NYLON	3
52	8631	11 X 55 PAD	1	23	8100N002	INS TAG, YELLOW REMOVE	1
53	2058-13W	CLAW HANGER, 1.5-2" UNIVERSAL WMT	2	24	5647D2	RIVET - 1/8 SS POP	16
				25	5647D8	RIVET - 3/16 SS POP	14
				26	8183	DECAL, WARNING ENGLISH/FRENCH	1
				27	8754	DECAL, DANGER ENG/FR/SPAN	1
				28	8595	HHCS 5/16 X 1-1/2 ZP	3
				29	8596	NUT, 5/16-18 HEX ZP	3

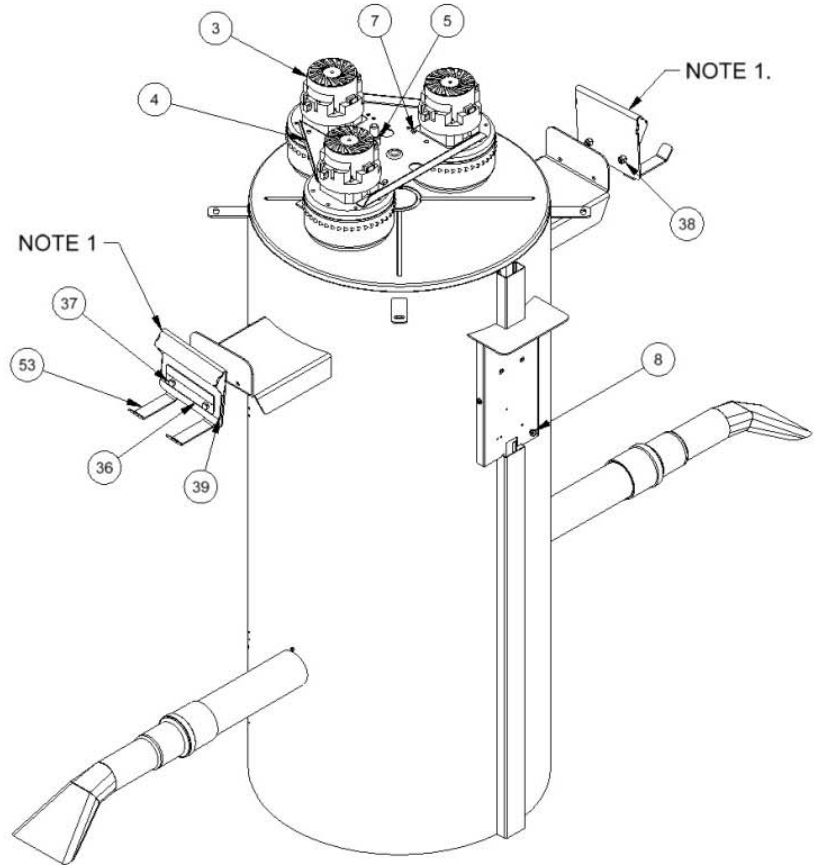
D	7374	ADD ITEM 53, NOTE 1, ITEM 36 WAS 9280F22.	12/22/14	MWS
C	5541	CHANGE TO LARGER PALLET 8939, WAS 8605	020910	JF
B	5293	ADJUST BILL FOR NEW WIRING HARNESS WITH SWITCH	100709	JF
A	5047	ADD HARDWARE, REMOVE RELAY BRKT HRDWARE, REVISE DESC.	040109	JF
REV	NO.	DESCRIPTION	DATE	BY

TITLE **COMMERCIAL VAC - 3 MOTOR, 2 DOOR**


UNSPECIFIED TOLERANCES	MATERIAL	 CEDAR RAPIDS, IOWA
1 PL ±.030	SCALE	
2 PL ±.010	DRAWN BY JOHN F.	
3 PL ±.003	DATE 10/16/2008	
ANGLE ±1.0°	PART NO. 9235-3DH	REV. D

THIS DOCUMENT SHALL NOT BE REPRODUCED NOR SHALL THE INFORMATION THEREIN BE USED BY OR DISCLOSED TO OTHERS EXCEPT AS AUTHORIZED BY J.E. ADAMS INDUSTRIES

PART NO. 9235-3DH



9235-3DH
SCALE .1

TITLE COMMERCIAL VAC - 3 MOTOR, 2 DOOR		CEDAR RAPIDS, IOWA	
UNSPECIFIED TOLERANCES	MATERIAL		
1 PL ±.030	SCALE		
2 PL ±.010	DRAWN BY JOHN F.		
3 PL ±.003	DATE 10/16/2008	PART NO. 9235-3DH	REV. D
ANGLE ±1.0°			

REV	NO.	DESCRIPTION	DATE	BY
THIS DOCUMENT SHALL NOT BE REPRODUCED NOR SHALL THE INFORMATION THEREIN BE USED BY OR DISCLOSED TO OTHERS EXCEPT AS AUTHORIZED BY J.E. ADAMS INDUSTRIES				

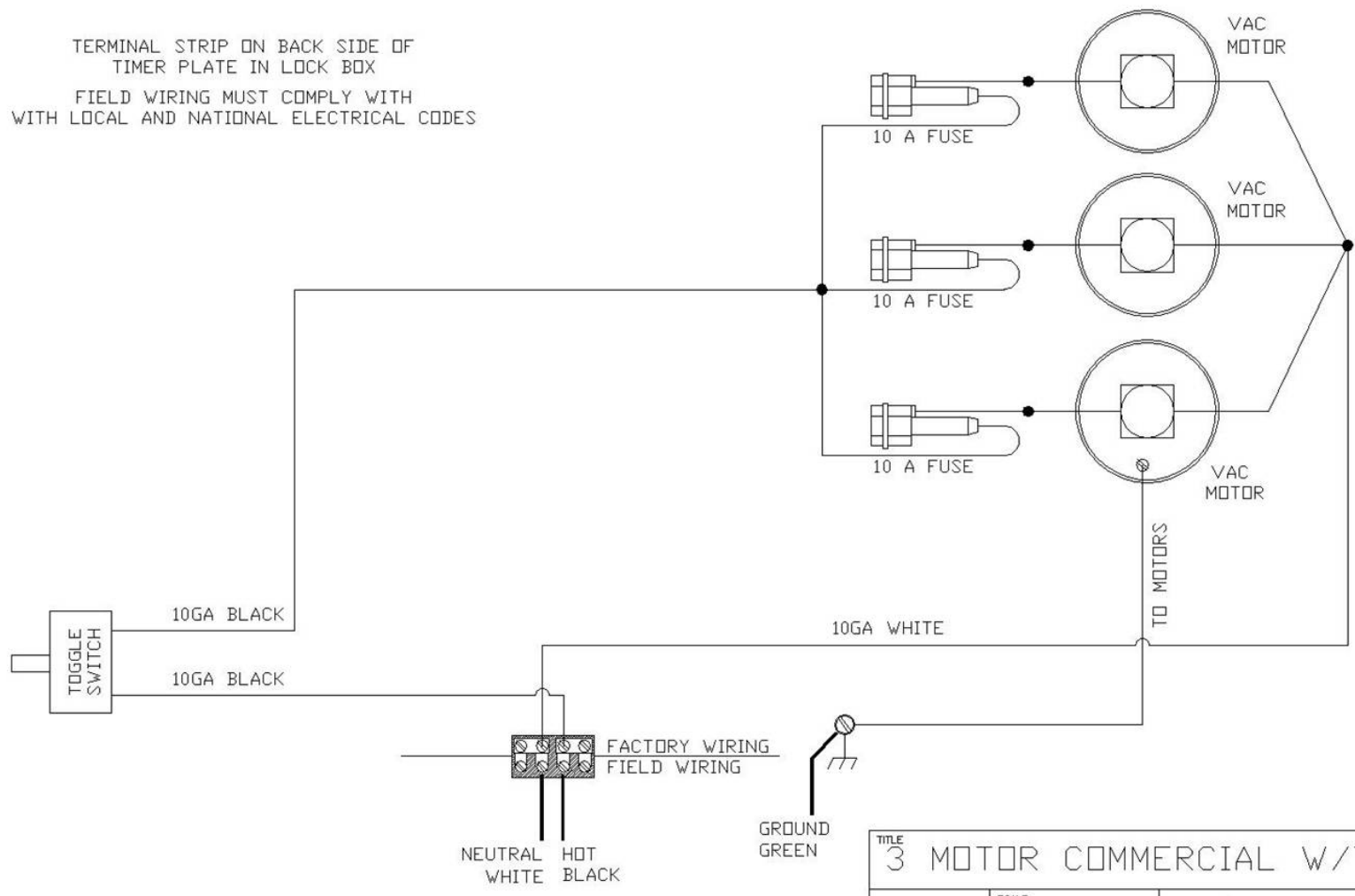
PART NO. 3 MOTOR SERIES

THIS DOCUMENT SHALL NOT BE REPRODUCED NOR SHALL THE INFORMATION THEREIN BE USED BY OR DISCLOSED TO OTHERS EXCEPT AS AUTHORIZED BY J.E. ADAMS INDUSTRIES

BILL OF MATERIAL

ITEM NO.	PART NO.	DESCRIPTION	QTY.
----------	----------	-------------	------

TERMINAL STRIP ON BACK SIDE OF
TIMER PLATE IN LOCK BOX
FIELD WIRING MUST COMPLY WITH
WITH LOCAL AND NATIONAL ELECTRICAL CODES



120V with toggle

TITLE 3 MOTOR COMMERCIAL W/TOGGLE

UNSPECIFIED TOLERANCES	SCALE
FRACT. ±1/32	DRAWN BY JF
2 PL ±.020	DATE 7/25/11
3 PL ±.010	REL. FOR PROD. -
ANGLE ±1.0°	

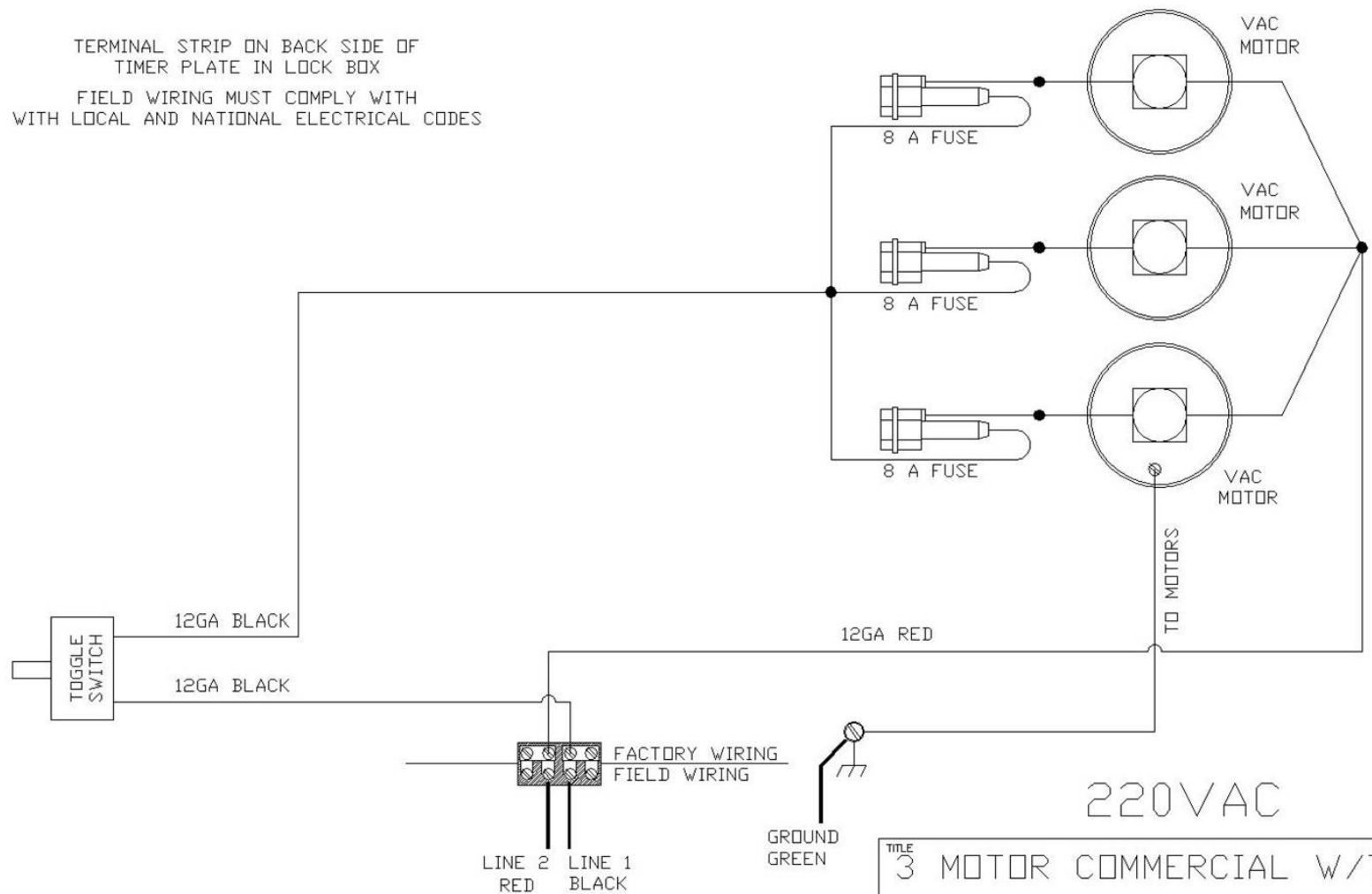
CEDAR RAPIDS, IOWA

PART NO. 3 MOTOR SERIES REV.

REV	NO.	DESCRIPTION	DATE	BY
-----	-----	-------------	------	----

ITEM NO.	PART NO.	DESCRIPTION	QTY.
----------	----------	-------------	------

TERMINAL STRIP ON BACK SIDE OF
TIMER PLATE IN LOCK BOX
FIELD WIRING MUST COMPLY WITH
WITH LOCAL AND NATIONAL ELECTRICAL CODES



220V with toggle

TITLE 3 MOTOR COMMERCIAL W/TOGGLE

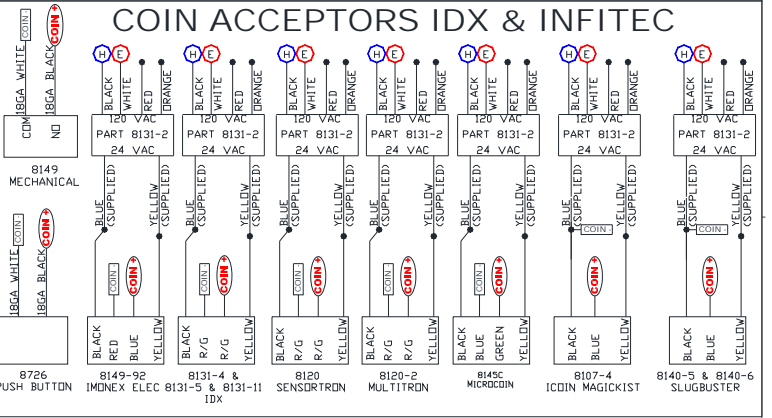
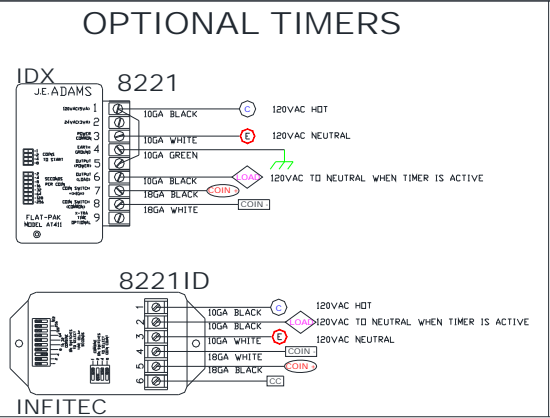
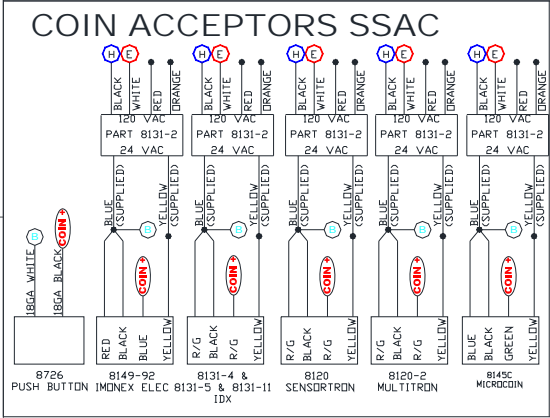
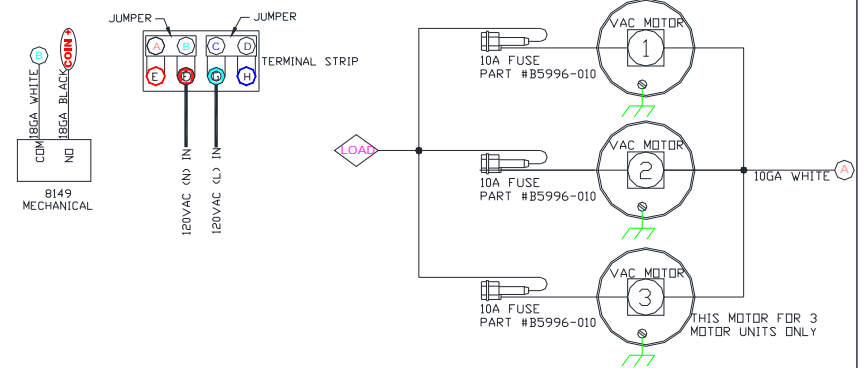
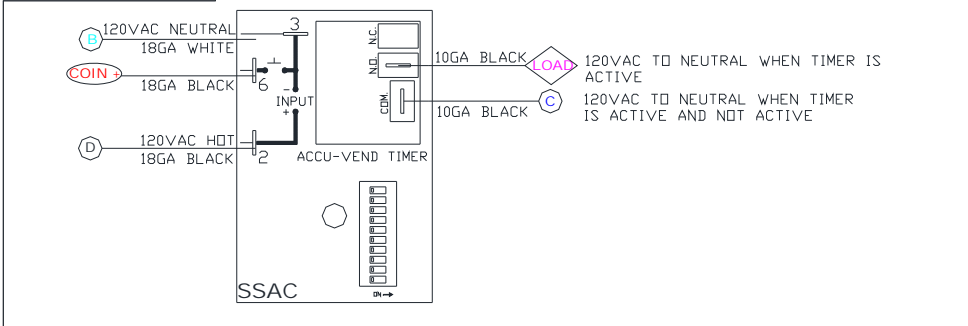
UNSPECIFIED TOLERANCES	SCALE
FRACT. ± 1/32	DRAWN BY JF
2 PL ± .020	DATE 7/25/11
3 PL ± .010	REL. FOR PROD. -
ANGLE ± 1.0°	



REV	NO.	DESCRIPTION	DATE	BY
-----	-----	-------------	------	----

PART NO.	REV.
3 MOTOR SERIES	

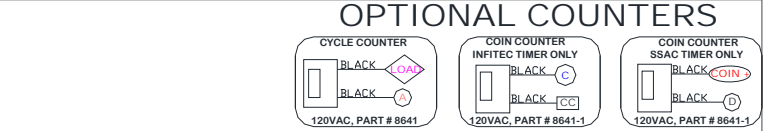
PART NO. **VACUUM 120V** **8221SS4** **VACUUM STANDARD**



IMPORTANT INFORMATION

!! IMPORTANT !!
TERMINAL STRIP IS ON BACK SIDE OF TIMER PLATE IN LOCK BOX. FIELD WIRING MUST COMPLY WITH LOCAL AND NATIONAL ELECTRICAL CODES
20AMP SERVICE IS REQUIRED FOR 2 MOTOR UNIT

!! IMPORTANT !!
TERMINAL STRIP IS ON BACK SIDE OF TIMER PLATE IN LOCK BOX. FIELD WIRING MUST COMPLY WITH LOCAL AND NATIONAL ELECTRICAL CODES
30AMP SERVICE IS REQUIRED FOR 3 MOTOR UNIT



A	7689	SPLIT COIN ACCEPTOR FOR USE WITH SSAC OR IDX & INFITEC	2-23-16	CK
REV	NO.	DESCRIPTION	DATE	BY

THIS DOCUMENT SHALL NOT BE REPRODUCED NOR SHALL THE INFORMATION THEREIN BE USED BY OR DISCLOSED TO OTHERS EXCEPT AS AUTHORIZED BY J.E. ADAMS INDUSTRIES

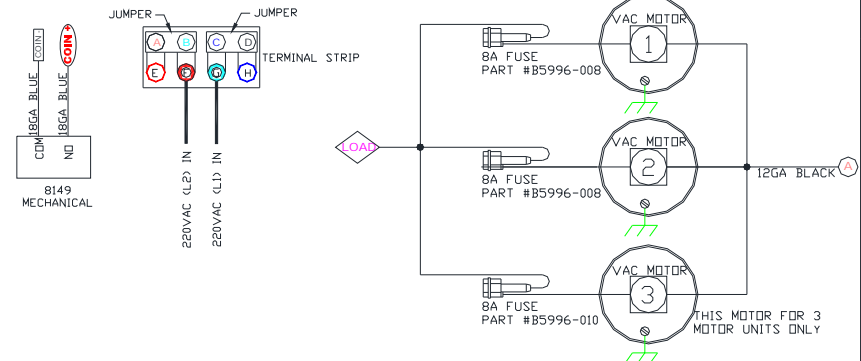
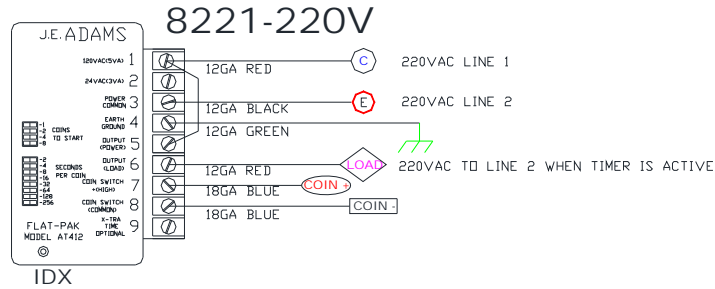
PART NO. **VACUUM 120V**

CEAR RAPIDS, IOWA

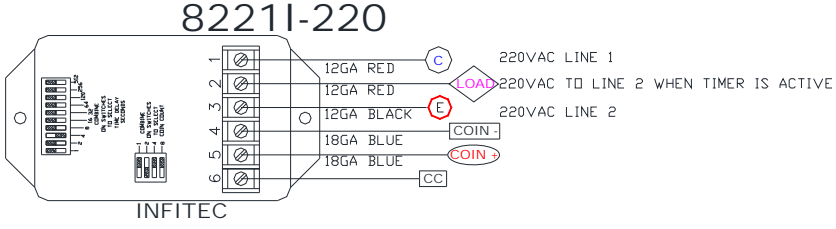
UNSPECIFIED TOLERANCES	TITLE VACUUM 120V			
1 PL :030	DRAWN BY CHAD K	DATE 12/16/15	SCALE NONE	REL. FOR PRGD.
2 PL :010	MATERIAL -	PART NO. VACUUM 120V	REV. LEVEL A	
3 PL :003				
ANGLE :1:07				

PART NO. **VACUUM 220V**

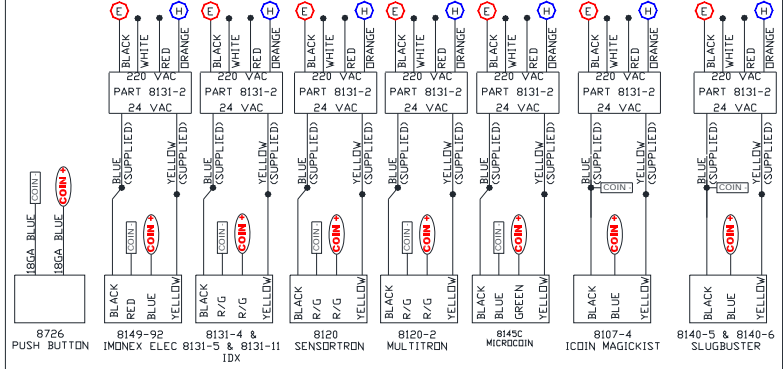
VACUUM STANDARD



OPTIONAL TIMERS



COIN ACCEPTORS IDX & INFITEC

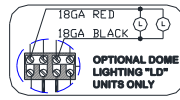


IMPORTANT INFORMATION

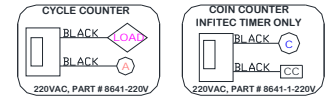
!! IMPORTANT !!
 TERMINAL STRIP IS ON BACK SIDE OF TIMER PLATE IN LOCK BOX. FIELD WIRING MUST COMPLY WITH LOCAL AND NATIONAL ELECTRICAL CODES.
15AMP SERVICE IS REQUIRED FOR 2 MOTOR UNIT

!! IMPORTANT !!
 TERMINAL STRIP IS ON BACK SIDE OF TIMER PLATE IN LOCK BOX. FIELD WIRING MUST COMPLY WITH LOCAL AND NATIONAL ELECTRICAL CODES.
20AMP SERVICE IS REQUIRED FOR 3 MOTOR UNIT

LIGHTED DOME



OPTIONAL COUNTERS



THIS DOCUMENT SHALL NOT BE REPRODUCED NOR SHALL THE INFORMATION THEREIN BE USED BY OR DISCLOSED TO OTHERS EXCEPT AS AUTHORIZED BY J.E. ADAMS INDUSTRIES

PART NO. **VACUUM 220V**



UNSPECIFIED TOLERANCES
 1 PL ±.030
 2 PL ±.010
 3 PL ±.003
 ANGLE 1:1.0°

TITLE		VACUUM 220V	
DRAWN BY	DATE	SCALE	REL. FOR PROD.
CHAD K.	3-7-16	NONE	
MATERIAL	PART NO.	REV. LEVEL	
-	VACUUM 220V		

REV	NO.	DESCRIPTION	DATE	BY