



Models- 18000, 18000-220V "Turbo Towel"

Page 2	Product Information
Page 3	Specifications
Page 4	Important Safety Instructions
Page 5	Product Dimensions
Page 6-9	Installation
Page 10	Installation and Operating Safety
Page 11	Operating Instructions and Maintenance
Page 12	Troubleshooting
Page 13-16	Parts List & Wiring Diagrams



# **PRODUCT INFORMATION**

Please take a moment to fill out the information below in order to aid us with any future sales or service inquiries. Model number and serial number information can be found on the serial tag located inside the control box and/or on the lower exterior of the can. Key number can be found on the tag that comes attached to the keys. There may be more than one key number depending on unit.

Please keep this information with your records.

**MODEL#:** \_\_\_\_\_

**SERIAL#:** \_\_\_\_\_

**KEY NUMBER(S):** \_\_\_\_\_

**DATE PURCHASED:** \_\_\_\_\_

**DISTRIBUTOR:** \_\_\_\_\_

**J.E. Adams Industries  
1025 63rd Ave. S.W.  
Cedar Rapids, IA 52404  
1-800-553-8861  
[www.jeadams.com](http://www.jeadams.com)**

# Specifications

## **120 Volt model**

Unit specifications: 18000  
Voltage: 120vac, 60hz  
Amperage: (1) 30 amp service is required for this unit, dedicated line.

### Blower specifications

Blower – (1) High performance 120vac, 60hz, includes (1) 20 amp in-line fuse.  
Heater – 120vac, 60hz, Heavy duty nichrome wire

---

## **220 Volt model**

Unit specifications: 18000-220V  
Voltage: 220vac, 50hz  
Amperage: (1) 20 amp service is required for this unit, dedicated line.

### Blower specifications

Blower – (1) High Performance 220/240vac, 50hz, includes (1) 10 amp in-line fuse.  
Heater – 220/240vac, 50hz, heavy duty nichrome wire

**DUTY CYCLE: 6 minutes on, 4 minutes off.**

**NOTE: “UNIT INTENDED FOR COMMECIAL USE ONLY”**

# IMPORTANT SAFETY INSTRUCTIONS

When using an electrical appliance, basic precautions should always be followed, including the following:

## READ ALL INSTRUCTIONS BEFORE USING (THIS APPLIANCE)

### WARNING – To reduce the risk of fire, electric shock, or injury:

- Use only as described in manual. Use only manufactures recommended attachments.
- Do not allow to be used as a toy. Close attention is necessary when used by or near children.
- Do not put any object into openings. Do not use with any opening blocked; keep free of dirt and anything that may reduce flow.
- Keep hair, loose clothing, fingers, and all parts of body away from openings and moving parts.
- Do not use near flammable or combustible liquids, such as gasoline, or use in areas where they may be present.
- Do not use near anything that is burning or smoking, such as cigarettes, matches, or hot ashes.
- Do not spray of the chemicals on dashboard, instrument area, consoles, door panels, etc. Decorative trim pieces such as these can become damaged from contact with chemicals.

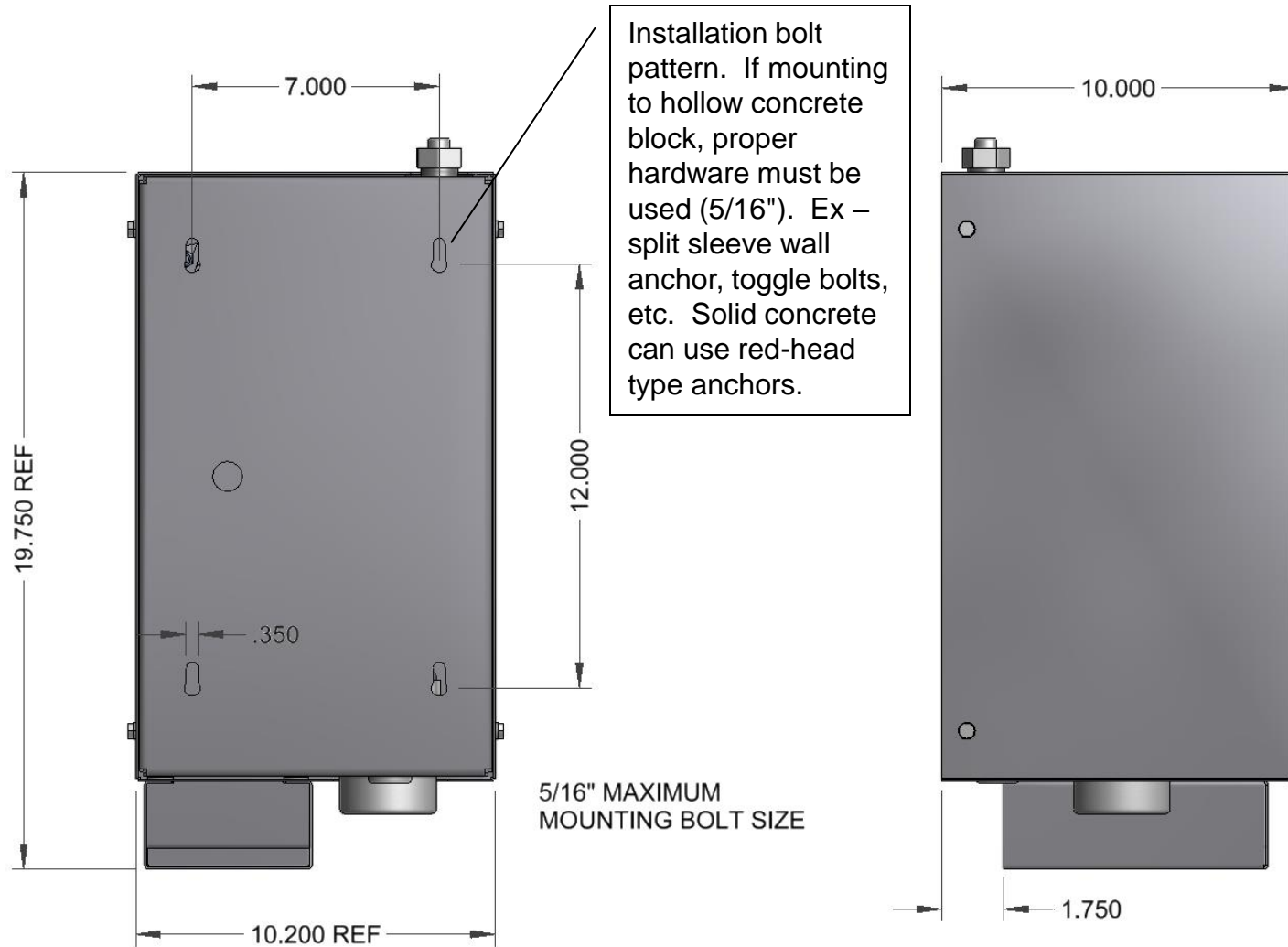
## SAVE THESE INSTRUCTIONS



- **Installation Instructions:**
- Determine location to mount unit (“**DANGER**” “**THIS EQUIPMENT INCORPORATES PARTS SUCH AS SWITCHES, MOTORS, OR THE LIKE THAT TEND TO PRODUCE ARCS OR SPARKS THAT CAN CAUSE AN EXPLOSION. WHEN LOCATED IN GASOLINE-DISPENSING AND SERVICE STATIONS INSTALL AND USE AT LEAST 20 FEET (6 M) HORIZONTALLY FROM THE EXTERIOR ENCLOSURE OF ANY DISPENSING PUMP AND AT LEAST 18 INCHES (450 MM) ABOVE A DRIVEWAY OR GROUND LEVEL.**”
- Run electrical service to that location (*NOTE UNIT HAS WIRE PROVIDED UNDERNEATH TO CONNECT INCOMING POWER SUPPLY*)
- **Grounding Instructions:** This appliance must be connected to a grounded metal, permanent wiring system; or an equipment-grounding conductor must be run with the circuit conductors and connected to the equipment-grounding terminal or lead on the appliance.
- All local and national electric codes must be followed for installation and use.
- Licensed electricians are recommended for installation.

**INSTALL INBAY INSTRUCTION SIGN NEAR HOSE OR END USER AREA!**

# PRODUCT DIMENSIONS



**Typical in-bay installation with boom** (cutting hose is mandatory when using boom).  
**When no boom is used, simply locate hose hanger under Turbo Towel unit.**

Boom is typically installed above Turbo Towel unit so it does not hit the cover of Turbo Towel when being used.

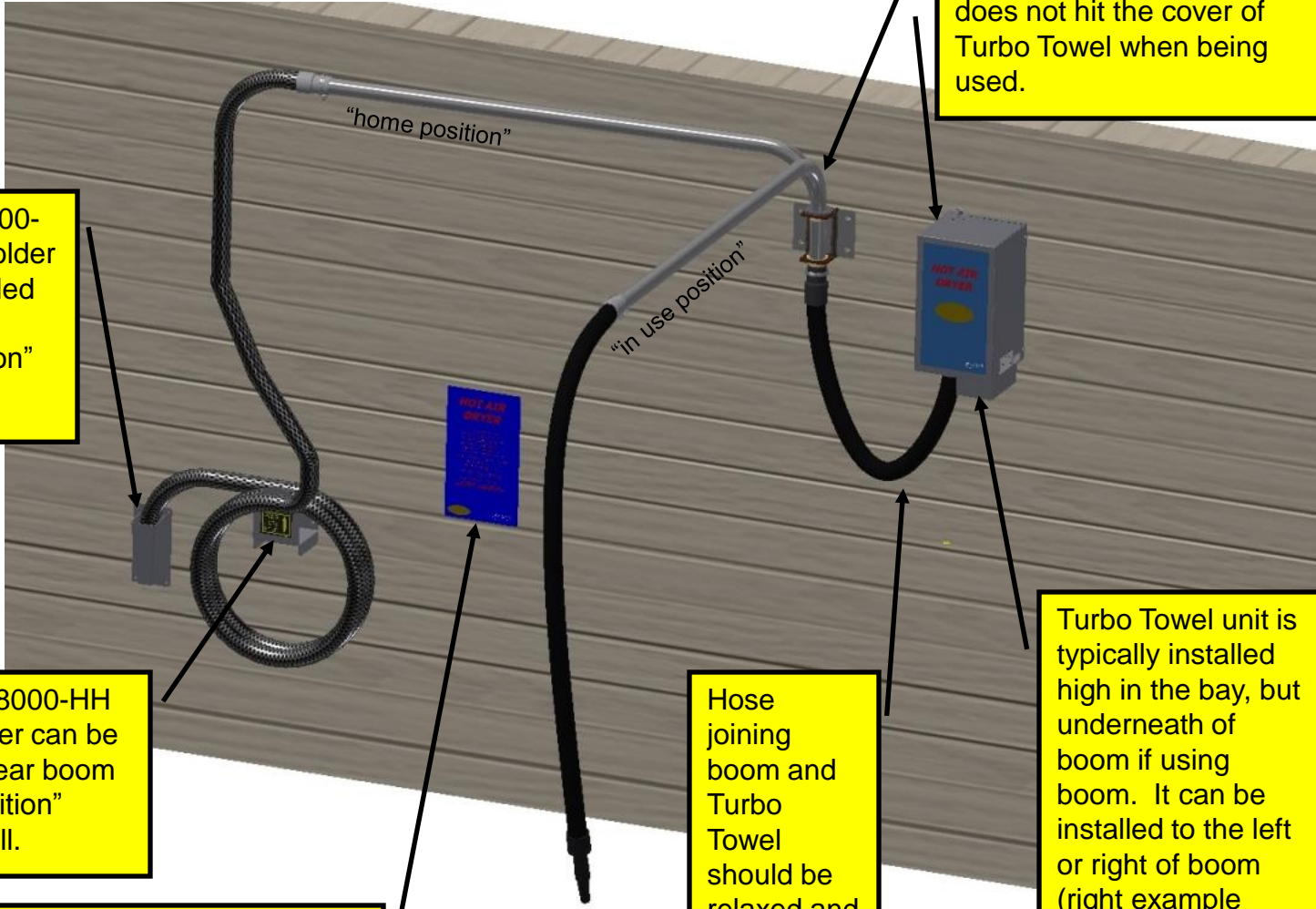
Optional 18000-NH nozzle holder can be installed near boom "home position" against wall.

Optional 18000-HH hose hanger can be installed near boom "home position" against wall.

Instruction sign can be installed anywhere in bay.

Hose joining boom and Turbo Towel should be relaxed and not taut.

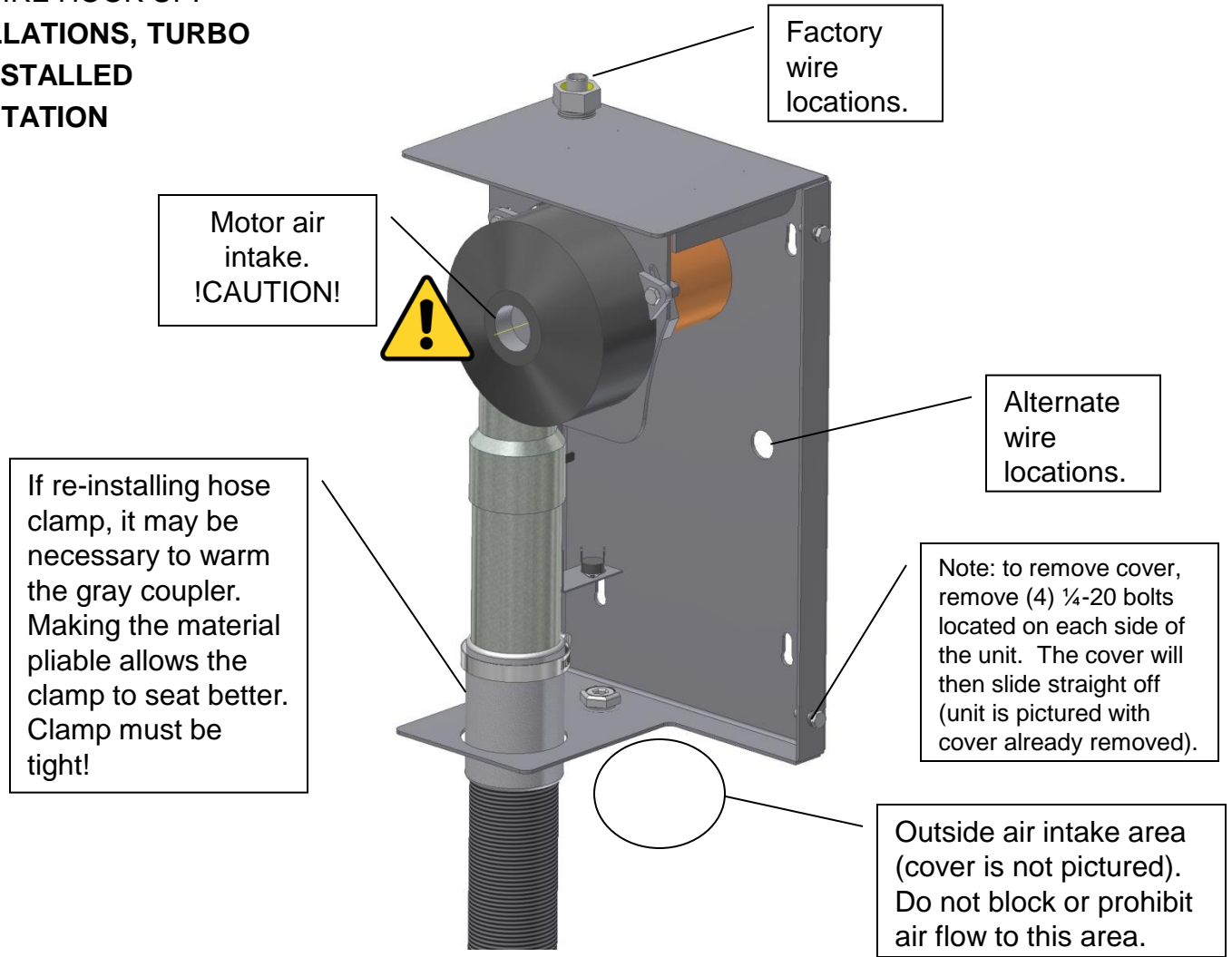
Turbo Towel unit is typically installed high in the bay, but underneath of boom if using boom. It can be installed to the left or right of boom (right example shown).



**MOUNTING:**

- SEE DRAWING BELOW FOR WIRE INSTALLATION FOR WIRE ACCESS POINTS AND FOR WIRE HOOK UP.

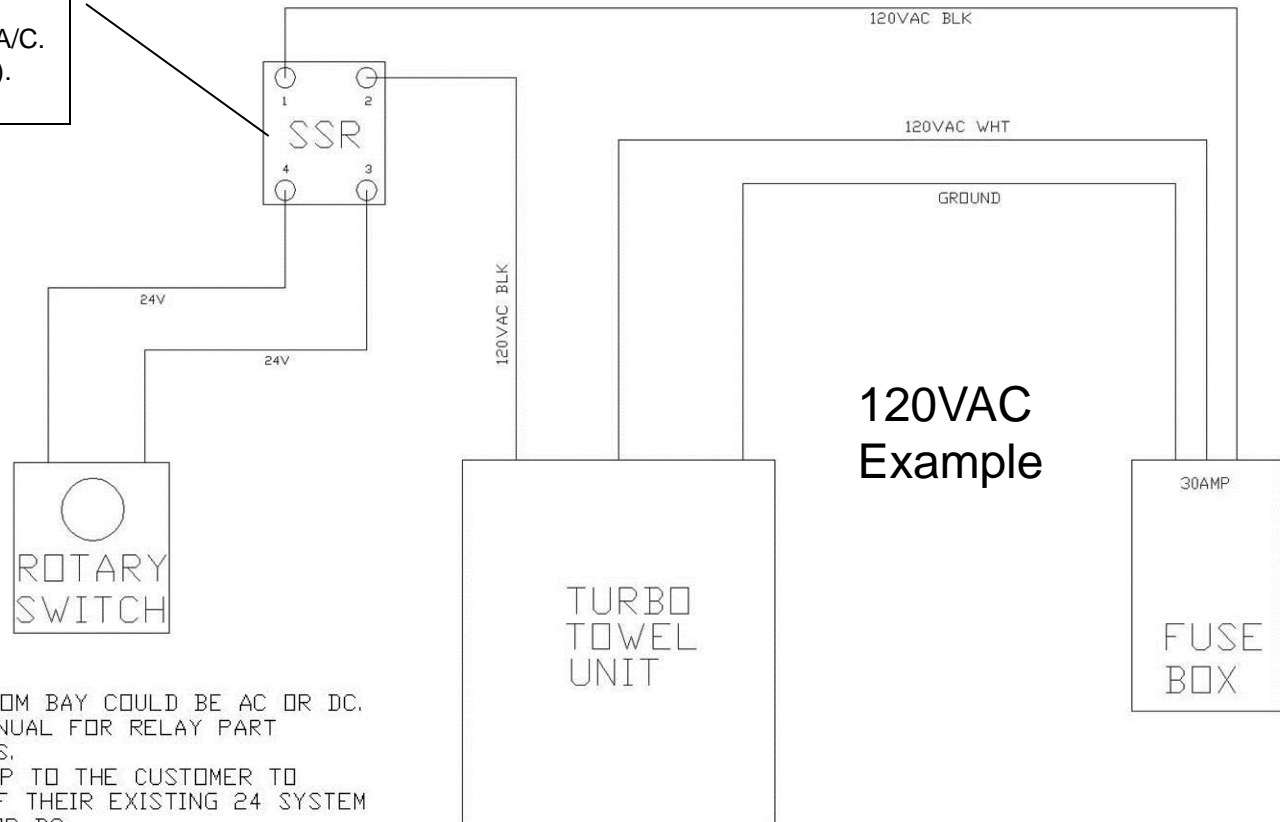
- **FOR WALL INSTALLATIONS, TURBO TOWEL MUST BE INSTALLED IN VERTICAL ORIENTATION AS PICTURED.**



**NOTE:** If doing an attic installation, the location must be free of dust and dirt and properly ventilated. No airflow obstruction (such as insulation) can be resting against or anywhere near the air intake.

When wiring direct to the rotary switch in a carwash bay, below is a typical 120V scenario showing a solid state relay option. **NOTE: TURBO TOWEL SHOULD BE INSTALLED AND SET UP PER LOCAL ELECTRICAL CODES BY QUALIFIED ELECTRICIAN.**

\*JEA p/n 5986B002 for D/C applications, 5986B003 for A/C. (optional heatsink 5946D21).

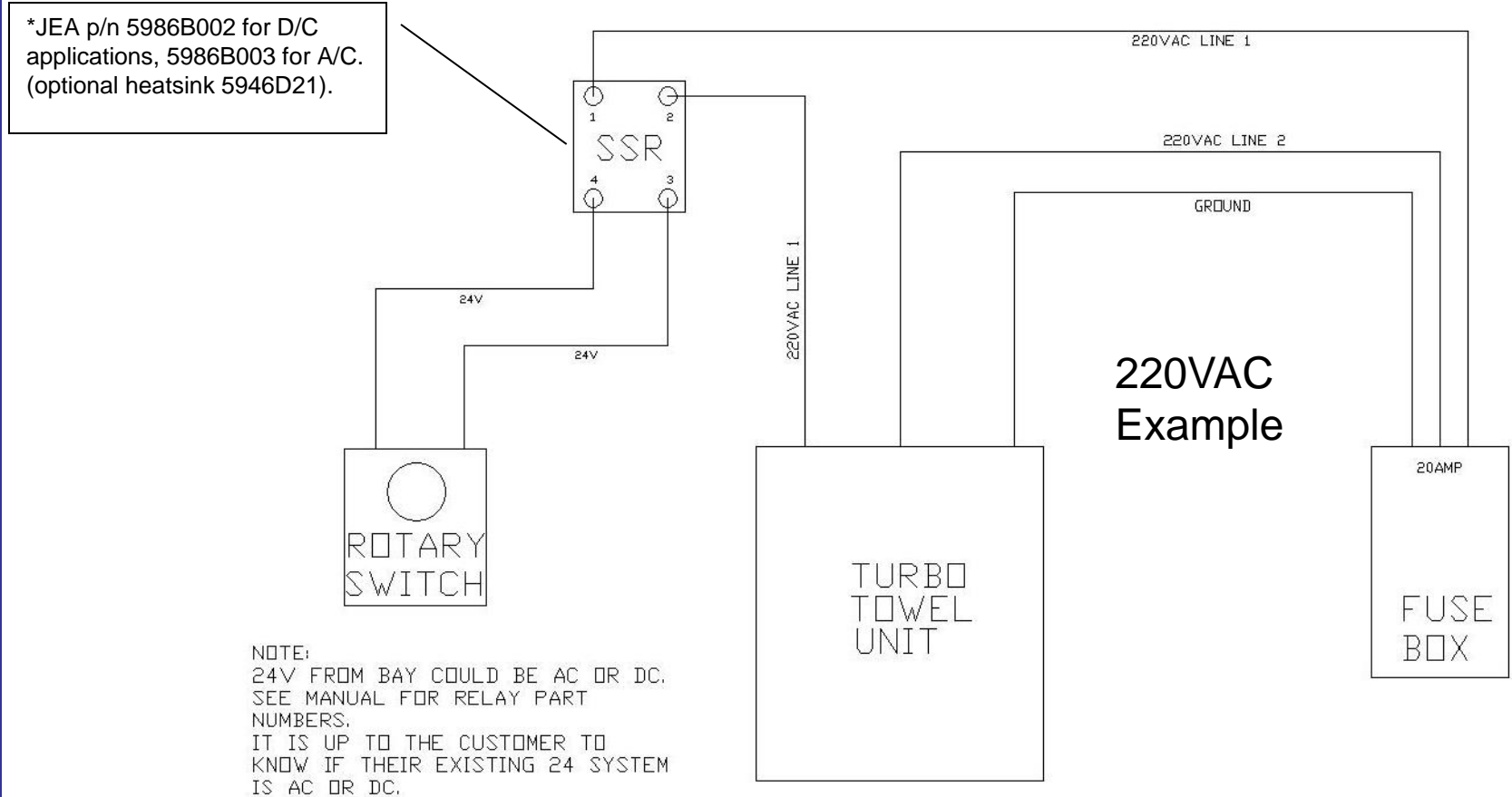


NOTE:  
24V FROM BAY COULD BE AC OR DC.  
SEE MANUAL FOR RELAY PART  
NUMBERS.  
IT IS UP TO THE CUSTOMER TO  
KNOW IF THEIR EXISTING 24 SYSTEM  
IS AC OR DC.



**NOTE:** If doing an attic installation, the location must be free of dust and dirt and properly ventilated. No airflow obstruction (such as insulation) can be resting against or anywhere near the air intake.

When wiring direct to the rotary switch in a carwash bay, below is a typical 220V scenario showing a solid state relay option. **NOTE: TURBO TOWEL SHOULD BE INSTALLED AND SET UP PER LOCAL ELECTRICAL CODES BY QUALIFIED ELECTRICIAN.**



## INSTALLATION / SAFETY INSTRUCTIONS:

- 1) Always use qualified electrical and mechanical personnel for installation and maintenance of equipment.
- 2) Disconnect electrical power before working on the system.
- 3) Make sure the motor is electrically grounded, the mounting bolts are properly secured, and all guards are in place during operation.
- 4) Wear safety glasses and earplugs when working on blower.
- 5) Do not operate blower motor with the outlet open to the atmosphere. Connect system exhaust hose to prevent overloading the motor and damage to the heating element. Check the final installation for proper amp load.
- 6) Keep all tools, loose clothing, and hands away from motor air intake.**
- 7) Inspect the blower at regular intervals for damage or worn parts. Replace parts immediately – never operate a unit with damaged parts.
- 8) Use only genuine OEM replacement parts.

## END USER OPERATING / SAFETY INSTRUCTIONS:

- 1) Use only for vehicle detailing.
- 2) Do not permit children to operate this unit.
- 3) Close supervision is necessary when using near children or those who need assistance.
- 4) Always hold onto nozzle tightly while in use.
- 5) Never leave unattended while in use.
- 6) Do not allow nozzle to come in contact with skin.
- 7) Never point air stream at others or self.
- 8) Allow a six inch minimum between nozzle and object to dry.
- 9) Use caution when directing air stream into tight crevices such as headlight assemblies, mirrors, dashboard, carpeting, etc.
- 10) Never blow debris in the direction of others.



**INSTALL INBAY INSTRUCTION SIGN NEAR HOSE OR END USER AREA!**

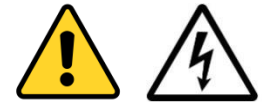
## **Machine Operating Instructions:**

- 1) Read safety instructions on previous pages.
- 2) Hold nozzle in hand.
- 3) Insert coins or bills to start.
- 4) Machine will start and air will begin to blow.
- 5) For best results, start at the top of the car and blow water downward.
- 6) Hang hose up when finished.

## **Maintenance:**

- **All servicing of machine should be conducted by an authorized service representative!**
- Periodically inspect electrical wires and connections for wear or fatigue.
- Motor brushes should be checked periodically for wear, replace when under 3/8" in length.
- Inspect hoses and blower nozzle for wear once a week.
- Clean canister with a stainless steel cleaner as needed.
- Decals can be cleaned with mild soap and water.
- Once per month the stainless steel cabinet should be removed and the inside components should be wiped down. Look for any wear items or damage.
- Parts can be ordered through JE Adams or your nearest distributor.

***WHEN PERFORMING MAINTENANCE OR TROUBLE-SHOOTING, TURN POWER OFF! QUALIFIED PERSONNEL ONLY!***



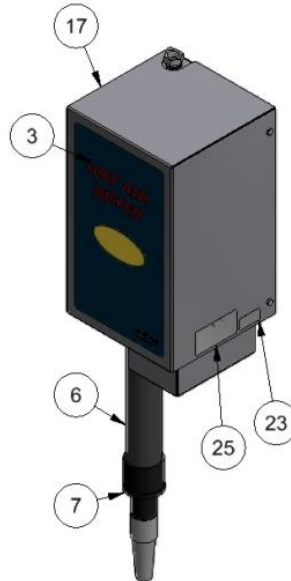
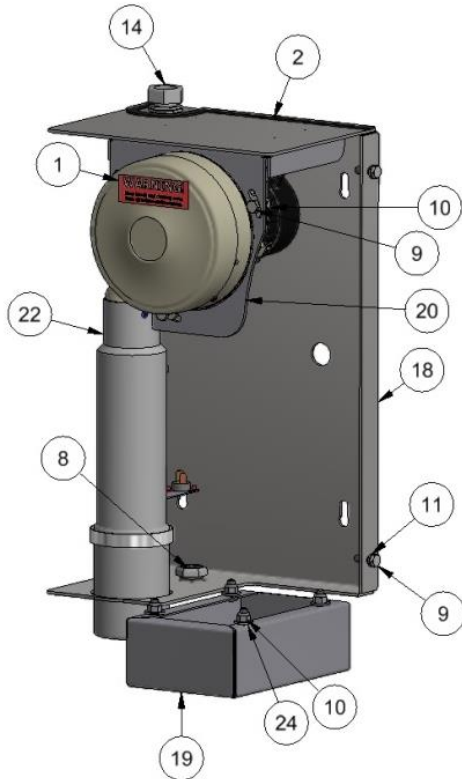
## **Troubleshooting (120V example):**

<b>Problem</b>	<b>Possible cause</b>	<b>Solution</b>
Unit is not powered.	24V rotary switch is not closing relay.	Confirm voltage across relay.
	No power to machine.	Check incoming power.
	20 amp in-line fuse on motor is blown.	Replace fuse.
	Loose connection.	Check incoming power connection.
Blower not running.	Check in-line fuse.	Replace if necessary.
	Confirm motor brushes are at least 3/8" long.	Replace brushes if necessary.
	Has the proper amount of money been inserted?	Deposit money to activate machine.
Heater is not coming on.	Heater safety thermostat may have tripped due to overheating.	Check manual reset button on thermostat closest to motor. Unit may need to cool down before resetting and this condition generally indicates a problem with the blower not running.
	Heater is not needed when ambient air temperature is over 85 degrees F.	No solution, unit is running properly. When heater does not run, unit will only draw about 15 amps. When heater is on, unit will draw around 25 amps.
Fuse keeps blowing.	Motor brushes may be too far worn.	Check and replace brushes if necessary.

PART NO.

18000

INCLUDE DECAL "18000-KD"  
WITH MANUAL & WALL SIGN  
WHEN PACKAGING.



## BILL OF MATERIALS

ITEM	PART NUMBER	DESCRIPTION	QTY
1	1034	WARNING LABEL, AIR BLOWER	1
2	1079-6	GASKET, IN-BAY DRYER	1
3	18000-FPD	18000 DECAL	1
4	18000-KD	DECAL, ROTARY DIAL	1
5	18000-WD	INSTRUCT/WARNING DECAL	1
6	2036-2	HOSE, 2" X 30' BLACK HIGH HEAT	1
7	2058-5	TURBO TOWEL NOZZLE	1
8	28000-53D	KNOCK OUT SEAL, 1/2"	1
9	5601D4	1/4-20 x 3/4 HHCS-SS	7
10	5603D2	1/4 Std NC Nylock Nut	11
11	5621D4	WASHER, 1/4 SPLITLOCK STAINLESS	4
12	5721D1	HEAT SHRINK TUBING, .5"	1.5"
13	5901D1	WIRE NUT, YELLOW	3
14	5915D6	CONDUIT CONN, 1/2" LIQUIDTIGHT METALIC	1
15	5979D1	FUSE, 20AMP SLO	1
16	6081-2	WALL SIGN	1
17	8061-720-110W	COVER WELDMENT, ELECTRO TURBO TOWEL	1
18	8061-720-113W	MOUNTING BRACKET WELDMENT	1
19	8061-720-11W	AIR INTAKE WELDMENT	1
20	8061-720-6	BRACKET, VAC MOTOR	1
21	8061-WIRE-KIT	WIRE KIT, TURBO TOWEL	1
22	8061A-EM	TURBO TOWEL ASSY, 120V	1
23	8437D001	ETL DECAL, VACUUM	1
24	8597	5/16 WASHER	4
25	8732	NAMEPLATE SERIAL TAG, UL	1
26	8833-30A	FUSE HOLDER, 30A	1

△G

△G

△G

△G

G	7912	REVISE BOM FOR ELECTO MOTOR BLOWER, NEW WIRE KIT	123016	JF
F	7799	REMOVE 28000-53C, REPLACE WITH 5915D6	072916	JF
E	7371	ADD WARNING DECAL 1034	120814	JF
D	7066	CORRECT ETL DECAL PART NUMBER	011113	JF
C	6903	ADD ETL DECAL & NAMEPLATE DECAL	031512	JF
B	5872	ADD ROTARY DIAL DECAL	051210	JF
REV	NO.	DESCRIPTION	DATE	BY

THIS DOCUMENT SHALL NOT BE REPRODUCED NOR SHALL THE INFORMATION THEREIN BE  
USED BY OR DISCLOSED TO OTHERS EXCEPT AS AUTHORIZED BY J.E. ADAMS INDUSTRIES

SHEET 1 OF 2

TITLE

HOT AIR DRYER, IN-BAY UNIT

UNSPECIFIED  
TOLERANCES

1 PL ±.030

2 PL ±.010

3 PL ±.003

ANGLE ±1.0°

MATERIAL

SCALE

DRAWN  
BY

JOHN F.

DATE

11/16/2009

CEDAR RAPIDS, IOWA

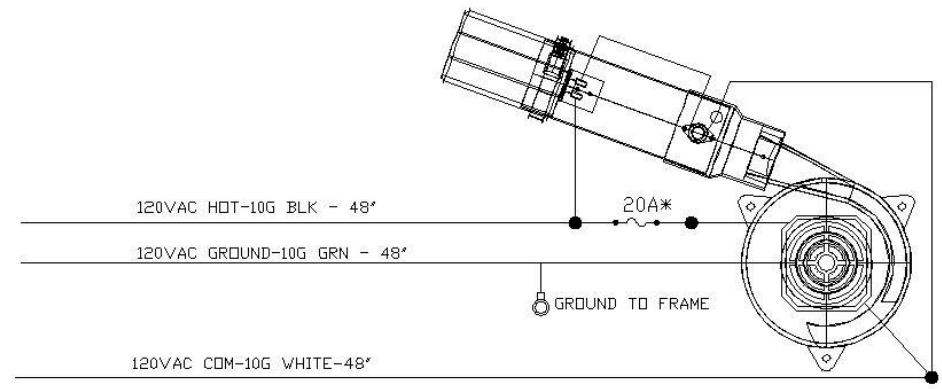
PART  
NO.

18000

REV.  
G

PART NO. S18000


NOTES  
FIELD WIRING MUST COMPLY WITH LOCAL AND NATIONAL ELECTRICAL CODES



\*USE 8833-30A FUSE HOLDER, SOLDER (QTY 2) 10G 3' LEADS TO HOLDER, USE .5' HEAT SHRINK OVER HOLDER BODY.

36" OF WIRE IS TO BE OUTSIDE THE CABINET. THE REMAINING WIRE WILL BE LOOPED DOWN, THEN UP TO LOOP WIRE TO MOTOR/FUSE.

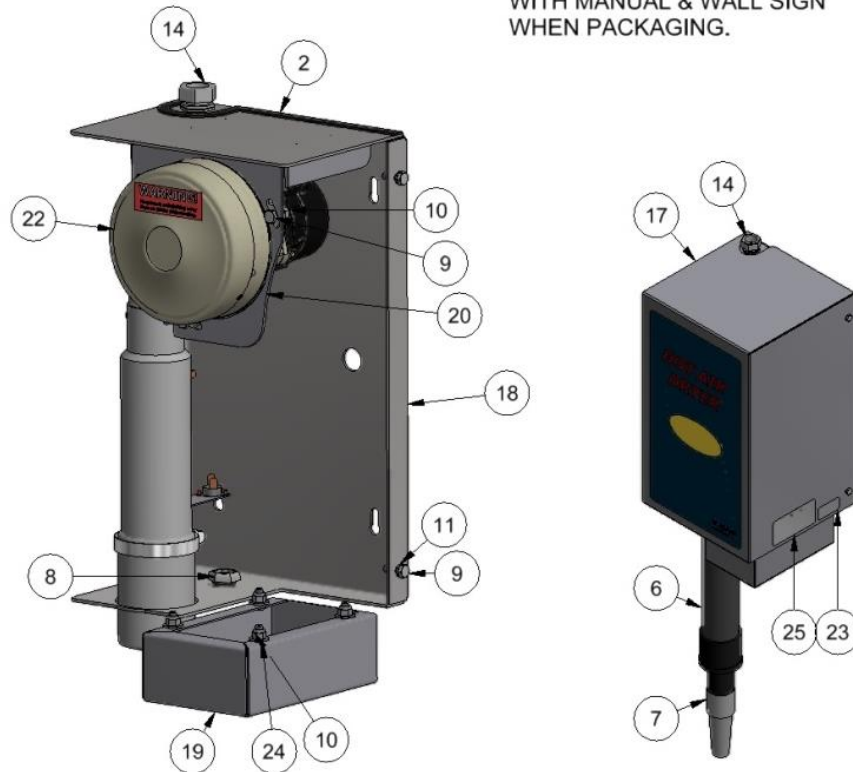
● REPRESENTS WIRE NUTS

				THIS DOCUMENT SHALL NOT BE REPRODUCED NOR SHALL THE INFORMATION THEREIN BE USED BY OR DISCLOSED TO OTHERS EXCEPT AS AUTHORIZED BY J.E. ADAMS INDUSTRIES		PART NO. S18000	 CEDAR RAPIDS, IOWA	UNSPECIFIED TOLERANCES	TITLE AIR BLOWER, IN-BAY MODEL			
REV	NO.	DESCRIPTION	DATE	BY	DRAWN BY JF				DATE 11-24-09	SCALE INCH	REL. FOR PROD.	PART NO. S18000

PART NO.

18000-220V

INCLUDE DECAL "18000-KD"  
WITH MANUAL & WALL SIGN  
WHEN PACKAGING.



## BILL OF MATERIALS

ITEM	PART NUMBER	DESCRIPTION	QTY
1	1034	WARNING LABEL, AIR BLOWER	1
2	1079-6	GASKET, IN-BAY DRYER	1
3	18000-FPD	18000 DECAL	1
4	18000-KD	DECAL, ROTARY DIAL	1
5	18000-WD	INSTRUCT/WARN DECAL	1
6	2036-2	HOSE, 2" X 30' BLACK HIGH HEAT	1
7	2058-5	TURBO TOWEL NOZZLE	1
8	28000-53D	KNOCK OUT SEAL, 1/2"	1
9	5601D4	1/4-20 x 3/4 HHCS-SS	7
10	5603D2	1/4 Std NC Nylock Nut	11
11	5621D4	WASHER, 1/4 SPLITLOCK STAINLESS	4
12	5721D1	HEAT SHRINK TUBING, .5"	1.5"
13	5901D1	WIRE NUT, YELLOW	3
14	5915D6	CONDUIT CONN, 1/2" LIQUIDTIGHT METALIC	1
15	5979D2	FUSE, 10AMP SLO	1
16	6081-2	WALL SIGN	1
17	8061-720-110W	COVER WELDMENT, ELECTRO TURBO TOWEL	1
18	8061-720-113W	MOUNTING BRACKET WELDMENT	1
19	8061-720-11W	AIR INTAKE WELDMENT	1
20	8061-720-6	BRACKET, VAC MOTOR	1
21	8061-WIRE-KIT	WIRE KIT, TURBO TOWEL	1
22	8061A-220V-EM	TURBO TOWEL ASSY, 220V	1
23	8437D001	ETL DECAL, VACUUM	1
24	8597	5/16 WASHER	4
25	8732	NAMEPLATE SERIAL TAG, UL	1
26	8833-30A	FUSE HOLDER, 30A	1

G	7912	REVISE BOM FOR ELECTRO MOTOR BLOWER, NEW WIRE KIT	123016	JF
F	7799	REMOVE 28000-53C, REPLACE WITH 5915D6	072916	JF
E	7371	ADD WARNING DECAL 1034	120814	JF
D	7066	CORRECT ETL DECAL PART NUMBER	011113	JF
C	6903	ADD ETL DECAL & NAMEPLATE DECAL	031512	JF
B	5872	ADD ROTARY DIAL DECAL	051210	JF
REV	NO.	DESCRIPTION	DATE	BY

THIS DOCUMENT SHALL NOT BE REPRODUCED NOR SHALL THE INFORMATION THEREIN BE  
USED BY OR DISCLOSED TO OTHERS EXCEPT AS AUTHORIZED BY J.E. ADAMS INDUSTRIES

TITLE

HOT AIR DRYER, IN-BAY UNIT

UNSPECIFIED  
TOLERANCES

1 PL ±.030  
2 PL ±.010  
3 PL ±.003  
ANGLE ±1.0°

MATERIAL

SCALE

DRAWN  
BY

JOHN F.

DATE

11/16/2009

CEDAR RAPIDS, IOWA

PART  
NO.

18000-220V

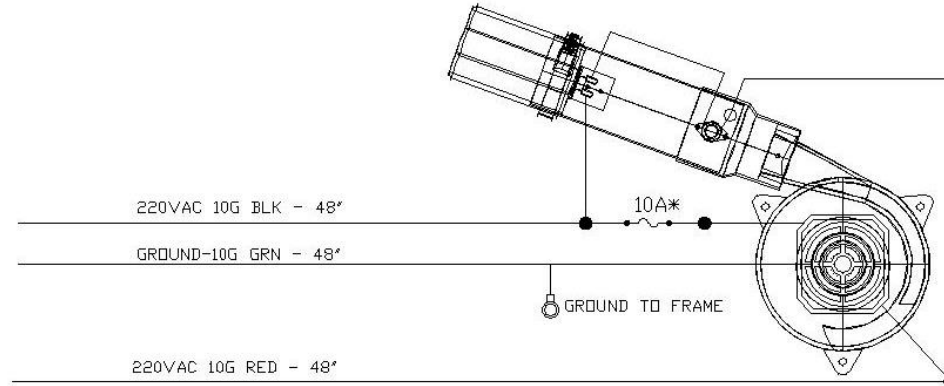
REV.

G

SHEET 1 OF 2

PART NO. S18000-220V

NOTES  
FIELD WIRING MUST COMPLY WITH LOCAL AND NATIONAL ELECTRICAL CODES



\*USE 8833-30A FUSE HOLDER, SOLDER (QTY 2) 10G 3" LEADS TO HOLDER, USE .5" HEAT SHRINK OVER HOLDER BODY.

30" OF WIRE IS TO BE OUTSIDE THE CABINET. THE REMAINING WIRE WILL BE LOOPED DOWN, THEN UP TO FORM UPWARD LOOP TO MOTOR/FUSE.

● REPRESENTS WIRE NUTS

THIS DOCUMENT SHALL NOT BE REPRODUCED NOR SHALL THE INFORMATION THEREIN BE USED BY OR DISCLOSED TO OTHERS EXCEPT AS AUTHORIZED BY J.E. ADAMS INDUSTRIES

PART NO. S18000-220V



UNSPECIFIED TOLERANCES

TITLE AIR BLOWER, IN-BAY MODEL, 220V				
DRAWN BY JF	DATE 03-09-09	SCALE INCH	FEL. FOR PROD.	-
NATIONAL		PART NO. S18000-220V	REV. LEVEL -	

REV	NO.	DESCRIPTION	DATE	BY