



Models- 17000, 17000V, 17000VR,
17000V-VR, 17000-220V, 17000VR-220V,
"Turbo Towel"

Page 2	Product Information
Page 3	Specifications
Page 4	Important Safety Instructions
Page 5	Product Dimensions
Page 6-7	Installation
Page 8-11	Operating Safety & Programming
Page 11	Maintenance
Page 12	Troubleshooting
Page 13-17	Parts List & Wiring Diagrams



PRODUCT INFORMATION

Please take a moment to fill out the information below in order to aid us with any future sales or service inquiries. Model number and serial number information can be found on the serial tag located inside the control box and/or on the lower exterior of the can. Key number can be found on the tag that comes attached to the keys. There may be more than one key number depending on unit.

Please keep this information with your records.

MODEL#: _____

SERIAL#: _____

KEY NUMBER(S): _____

DATE PURCHASED: _____

DISTRIBUTOR: _____

**J.E. Adams Industries
1025 63rd Ave. S.W.
Cedar Rapids, IA 52404
1-800-553-8861**

www.jeadams.com

Specifications

120 Volt models

Unit specifications: 17000, 17000V, 17000VR, 17000V-VR
Voltage: 120vac, 60hz
Amperage: (1) 30 amp service is required for this unit
Weight: 150 lbs packaged

Blower specifications

Blower – (1) High performance 120vac, 60hz, includes (1) 20 amp in-line fuse.
Heater – 120vac, 60hz, Heavy duty nichrome wire

220 Volt models*

Unit specifications: 17000, 17000VR
Voltage: 220vac, 50hz
Amperage: (1) 20 amp service is required for this unit
Weight: 150 lbs packaged

Blower specifications

Blower – (1) High Performance 220/240vac, 50hz, includes (1) 10 amp in-line fuse.
Heater – 220/240vac, 50hz, heavy duty nichrome wire

*220V units are available in non-bill validator models only.

DUTY CYCLE: 6 minutes on, 4 minutes off.

NOTE: “UNIT INTENDED FOR COMMECIAL USE ONLY”

IMPORTANT SAFETY INSTRUCTIONS

When using an electrical appliance, basic precautions should always be followed, including the following:

READ ALL INSTRUCTIONS BEFORE USING (THIS APPLIANCE)

WARNING – To reduce the risk of fire, electric shock, or injury:

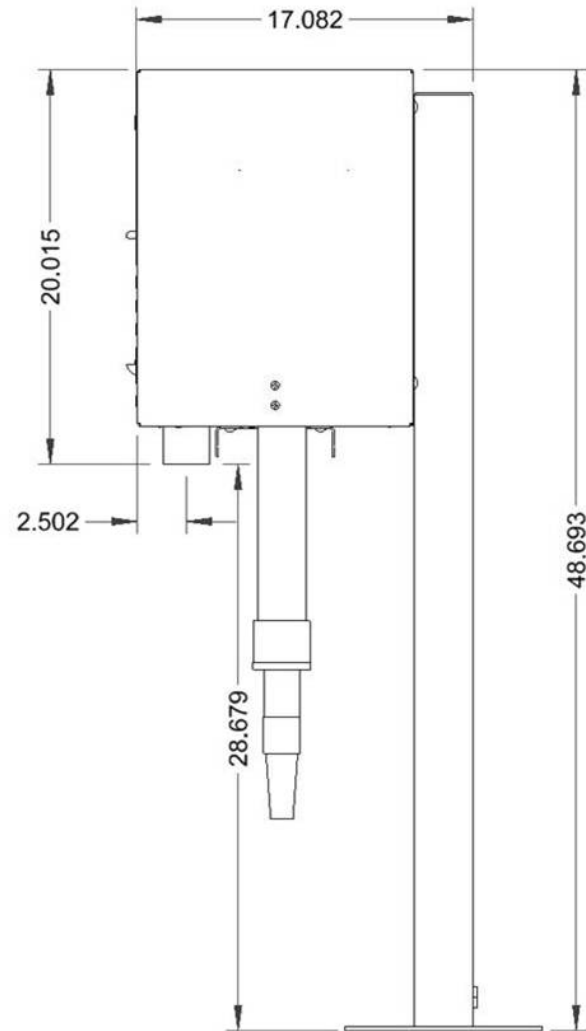
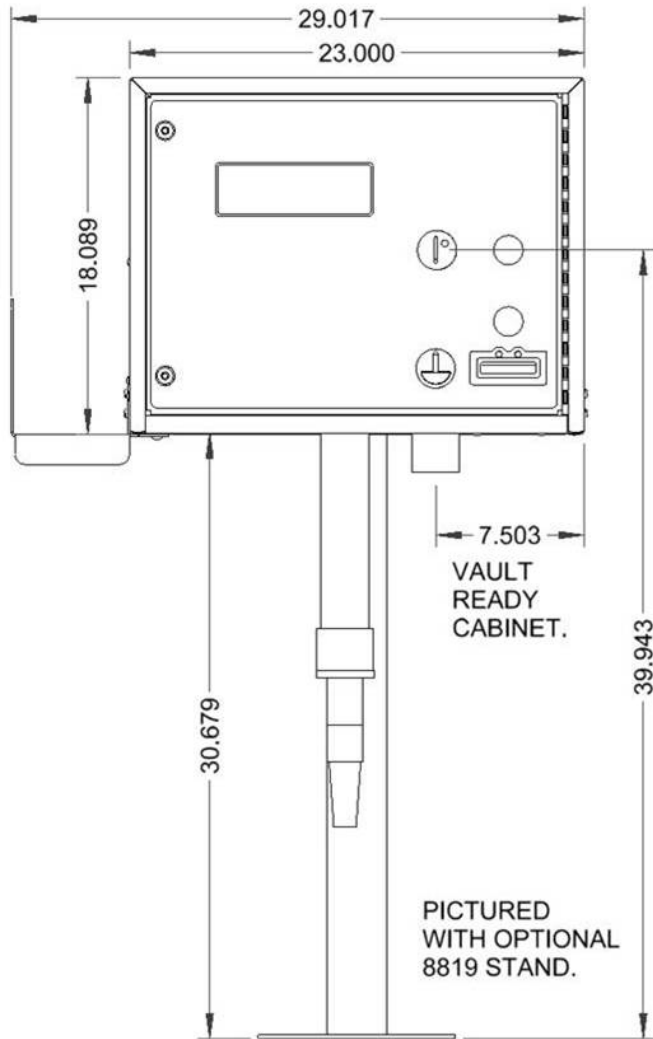
- Use only as described in manual. Use only manufactures recommended attachments.
- Do not allow to be used as a toy. Close attention is necessary when used by or near children.
- Do not put any object into openings. Do not use with any opening blocked; keep free of dirt and anything that may reduce flow.
- Keep hair, loose clothing, fingers, and all parts of body away from openings and moving parts.
- Do not use near flammable or combustible liquids, such as gasoline, or use in areas where they may be present.
- Do not use near anything that is burning or smoking, such as cigarettes, matches, or hot ashes.
- Do not spray of the chemicals on dashboard, instrument area, consoles, door panels, etc. Decorative trim pieces such as these can become damaged from contact with chemicals.

SAVE THESE INSTRUCTIONS

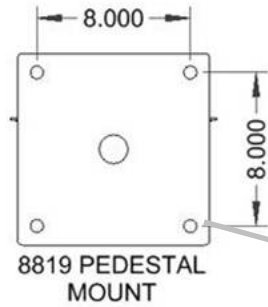
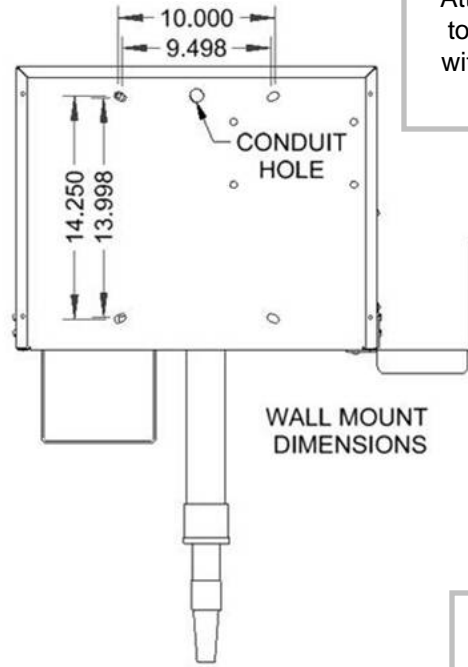
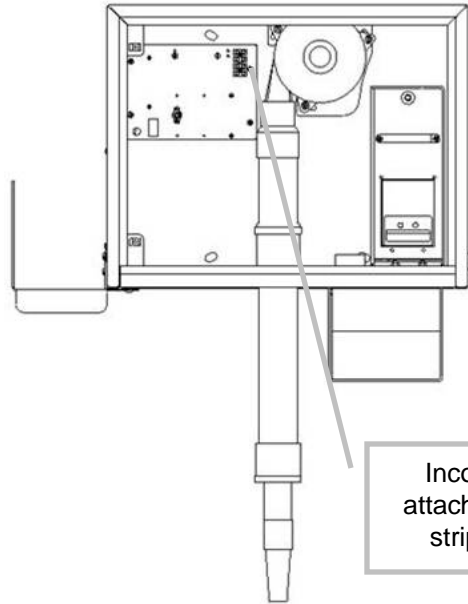
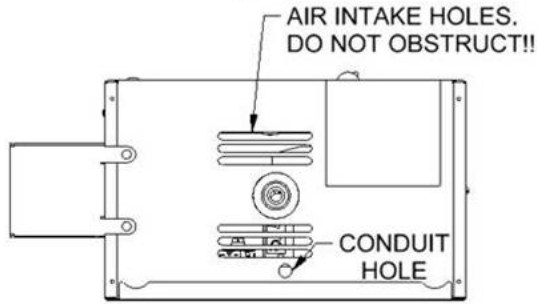


- **Installation Instructions:**
- Determine location to mount unit (“**DANGER**” “**THIS EQUIPMENT INCORPORATES PARTS SUCH AS SWITCHES, MOTORS, OR THE LIKE THAT TEND TO PRODUCE ARCS OR SPARKS THAT CAN CAUSE AN EXPLOSION. WHEN LOCATED IN GASOLINE-DISPENSING AND SERVICE STATIONS INSTALL AND USE AT LEAST 20 FEET (6 M) HORIZONTALLY FROM THE EXTERIOR ENCLOSURE OF ANY DISPENSING PUMP AND AT LEAST 18 INCHES (450 MM) ABOVE A DRIVEWAY OR GROUND LEVEL.**”
- Run electrical service to that location (*NOTE UNIT HAS WIRE PROVIDED UNDERNEATH TO CONNECT INCOMING POWER SUPPLY*)
- **Grounding Instructions:** This appliance must be connected to a grounded metal, permanent wiring system; or an equipment-grounding conductor must be run with the circuit conductors and connected to the equipment-grounding terminal or lead on the appliance.
- All local and national electric codes must be followed for installation and use.
- Licensed electricians are recommended for installation.

PRODUCT DIMENSIONS

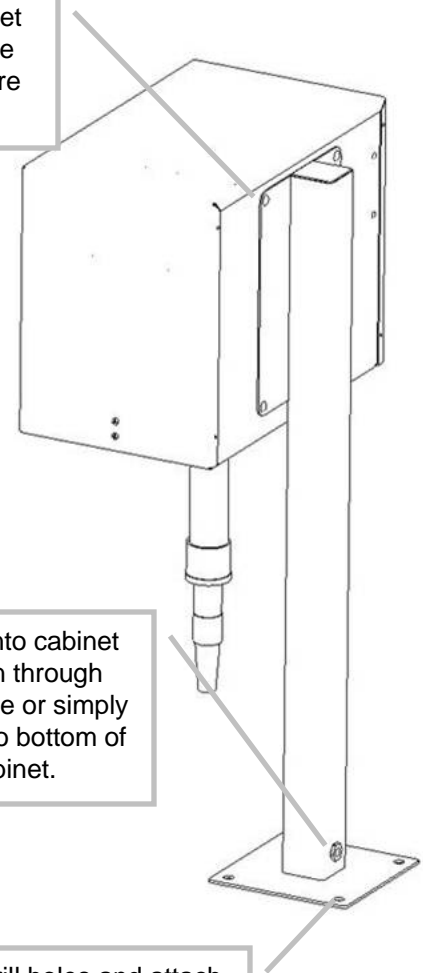


Installation:



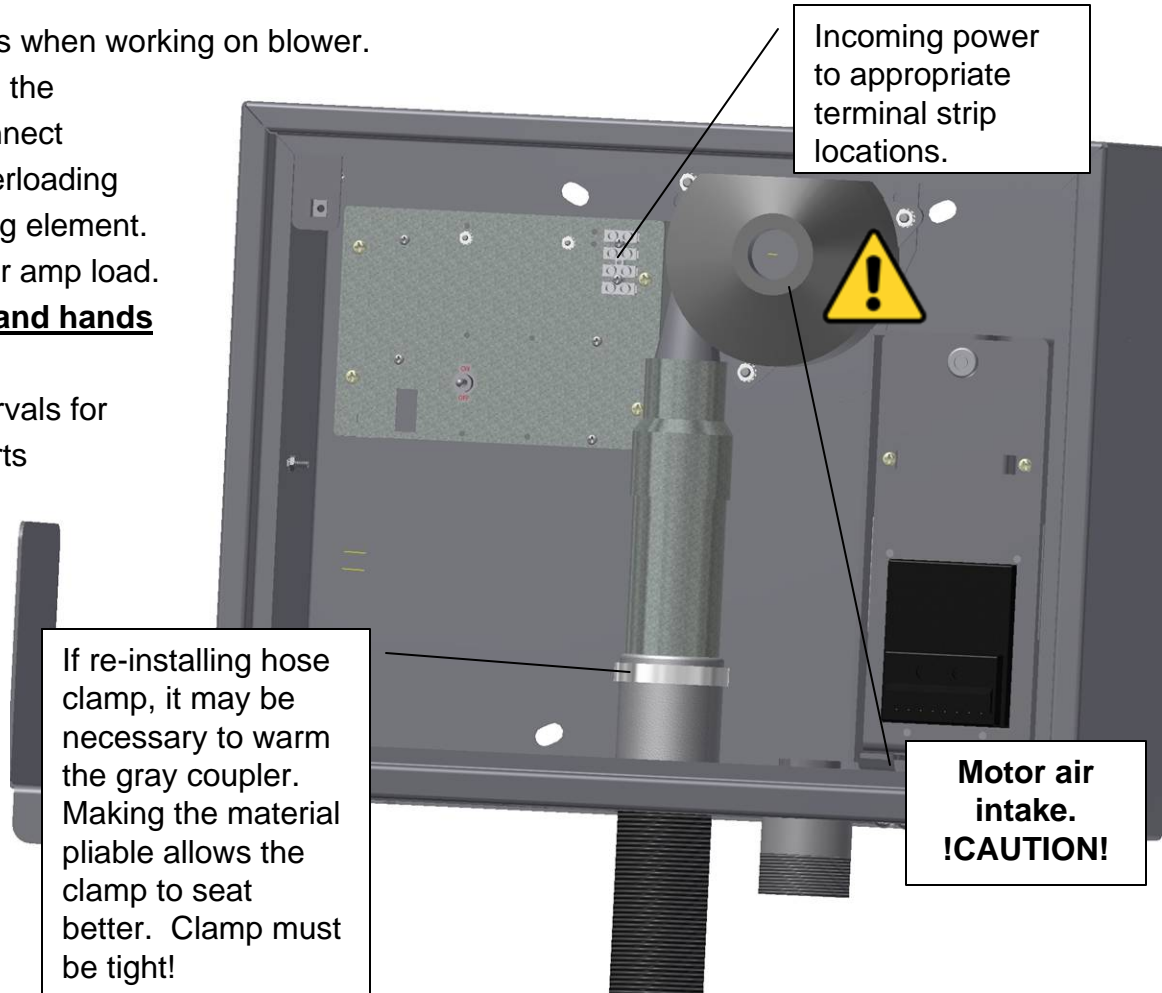
Power into cabinet can run through 8819 base or simply come into bottom of cabinet.

Drill holes and attach with concrete bolts (5/16 recommended).



INSTALLATION / SAFETY INSTRUCTIONS:

- 1) Always use a qualified electrical and mechanical personnel for installation and maintenance of equipment.
- 2) Disconnect electrical power before working on the system.
- 3) Make sure the motor is electrically grounded, the mounting bolts are properly secured, and all guards are in place during operation.
- 4) Wear safety glasses and earplugs when working on blower.
- 5) Do not operate blower motor with the outlet open to the atmosphere. Connect system exhaust hose to prevent overloading the motor and damage to the heating element. Check the final installation for proper amp load.
- 6) **Keep all tools, loose clothing, and hands away from motor air intake.**
- 7) Inspect the blower at regular intervals for damage or worn parts. Replace parts immediately – never operate a unit with damaged parts.
- 8) Use only genuine OEM replacement parts.



END USER OPERATING / SAFETY INSTRUCTIONS:

- 1) Use only for vehicle detailing.
- 2) Do not permit children to operate this unit.
- 3) Close supervision is necessary when using near children or those who need assistance.
- 4) Always hold onto nozzle tightly while in use.
- 5) Never leave unattended while in use.
- 6) Do not allow nozzle to come in contact with skin.
- 7) Never point air stream at others or self.
- 6) Allow a six inch minimum between nozzle and object to dry.
- 7) Use caution when directing air stream into tight crevices such as headlight assemblies, mirrors, dashboard, carpeting, etc.
- 8) Never blow debris in the direction of others.



Set-Up and operation:

- NOTE: To open door locks, insert key and turn counter clockwise about 10-12 rotations.
- Apply desired pricing decals to door.

Programming Instructions:

Coin acceptor:

No programming to acceptor needed if unit was purchased with the standard Imonex Z32 electronic acceptor (8149-92 our part number) is pre-programmed to accept US quarters, .984 tokens, US \$1 coin and 1.073 token. Acceptor is pre-programmed before it is sent to J.E. Adams.
If different acceptor was purchased, see additional literature sent along with unit for programming info.

Bill acceptor:

Bill acceptor comes pre programmed from J.E. Adams and should not require any changes. If additional programming is needed to acceptors please refer to additional literature sent along with this unit.

Display:

Unit may be programmed when received depending on information given at that the time of order.
To program follow the instructions below.

Display programming with remote:

- 1) Press the red power button.
- 2) Timer will display 0000. At this time type in 4 digit access code. Note code will be 1234 until changed by customer.
- 3) Once code has been entered display should read ok. If display does not read ok, repeat step 1 and 2.
- 4) Press **CH +** button. Timer will display coin value. This should be \$.25 and should not be changed.
- 5) Press the **CH +** button. Display will now read (**A: 30**) or may be a different time. (**A**) Will be the time per coin for the **Turbo Towel**. Set desired time per coin by using the **VOL -** to decrease or the **VOL +** to increase. Once time is entered move to next step.
- 6) Press the **CH +** button. Display will now read **B**. **B** is not used.
- 7) Press the **CH +** button. Display will now read **C**. **C** is not used.
- 8) Press the **CH +** button. Display will now read **D**. **D** is not used.
- 9) Press the **CH +** button. Display will now read **E**. **E** is not used.
- 10) Press the **CH +** button. Display will now read **F**. **F** is not used.
- 11) Press the **CH +** button. Display will now read (on A). This is the number of coins to start **Turbo Towel**. Use the **VOL -** and **VOL +** to adjust. Once this is set continue on to the next step.
- 12) Press the **CH +** button until display reads bonus time. Set if desired. See explanation at the end programming instructions.
- 13) Press the **CH +** button. Display will debit mode. Set if desired. See explanation at the end programming instructions.
- 14) Press the **CH +** button. Display will delayed start. Set if desired. See explanation at the end programming instructions.
- 15) Press the **CH +** button. Display will read **HLxx**. Set if desired. See explanation at the end programming instructions.
- 16) Press the **CH +** button. Display will read Restart off or restart on depending on what is set. Restart off will require a person to put in full amount after unit is turned off to reactivate. Restart on allows for additional coins to be put in the machine to keep unit running. To set use **VOL -** or **VOL +** to change.
- 17) Press the **CH +** button. Display will now read **STD** or **USER** or **MIX**. To make a custom message use **VOL +** button to scroll to **USER**. At this point press and hold **CH +** button until original message appears. At this time you may change the message simply by using the **VOL -** or **VOL +** buttons to change letters. **Once message has been entered you must put the symbol / at the end of message.** This will tell display that this is the end of the message.
- 18) Press the **CH +** button now 5 more times to exit programming.
- 19) Unit should now be programmed.

Program definitions:

Bonus time settings:

- Amount of time set in bonus time is added to regular time per coin/pulse(e.g. if you want to give 45 seconds for bonus time and your regular time per coin is 30 seconds, you would set bonus time at 00:15)
- Bonus is disabled by setting bonus time to 00:00.
- If bonus time is set to less than one minute, bonus time is added when bonus coin is reached and every coin after that until time expires.
- If bonus time is set at 1:00 or more, bonus will be a “one time” bonus. Bonus time will only be added for bonus coin or multiples of bonus coin (e.g. 16th coin, 32nd coin, etc). Any other coin will on receive regular time per coin.
- If bonus time is set to 99:00, when bonus coin is deposited, timer will show “-on-“ and timer will continue to run until coin switch wire is shorted to ground by a loop detector or other switch closure for a minimum of two seconds.

Debit and credit mode:

- Debit mode: As coins are deposited display shows “\$1.75 MORE, \$1.50 MORE, \$1.25 MORE” etc. until start price is reaches. Once start price is reached display switches to time accumulating until no more coins have been deposited.
- Credit mode: As coins are deposited display shows money accumulating (\$.25, \$.50, \$.75 etc). If timer is also set to delayed start mode timer will continue to show money accumulating until no more coins have been deposited. If timer is set to instant start, as soon as start price is reached, timer will change to time counting down.
- Both mode: As coins are deposited display shows money accumulating (\$.25, \$.50, \$.75 etc). If start price is not reached, after 5 seconds timer will alternate between “add \$x.xx more” and amount of money already deposited.

Display programming with push button:

- Unit can be programmed using buttons that are located inside display. One is labeled **S2**, which is used to change from item to item. One is labeled **S1** which is used to set desired value. If you hold down **S1** this will cause numbers to decrease. If you repeatedly push **S1** numbers will increase.
- When programming with buttons use same instructions as remote except for the following. Where it says to press **CH +** use **S2** and where it says to use **VOL +** or **-** use **S1**.

Machine Operating Instructions:

- 1) Read safety instructions on previous pages.
- 2) Hold nozzle in hand.
- 3) Insert coins or bills to start.
- 4) Machine will start and air will begin to blow.
- 5) For best results, start at the top of the car and blow water downward.
- 6) Hang hose up when finished.

Maintenance:

- **All servicing of machine should be conducted by an authorized service representative!**
- Periodically inspect electrical wires and connections for wear or fatigue.
- Clean canister with a stainless steel cleaner as needed.
- Decals can be cleaned with mild soap and water.
- Once per month or more the stainless steel cabinet should be wiped down along with the inside components. Look for any wear items or damage. Check motor brushes for wear and replace if under 3/8" in length. Parts can be ordered through JE Adams or your nearest dealer.

WHEN PERFORMING MAINTENANCE OR TROUBLE-SHOOTING, TURN POWER OFF! QUALIFIED PERSONNEL ONLY!



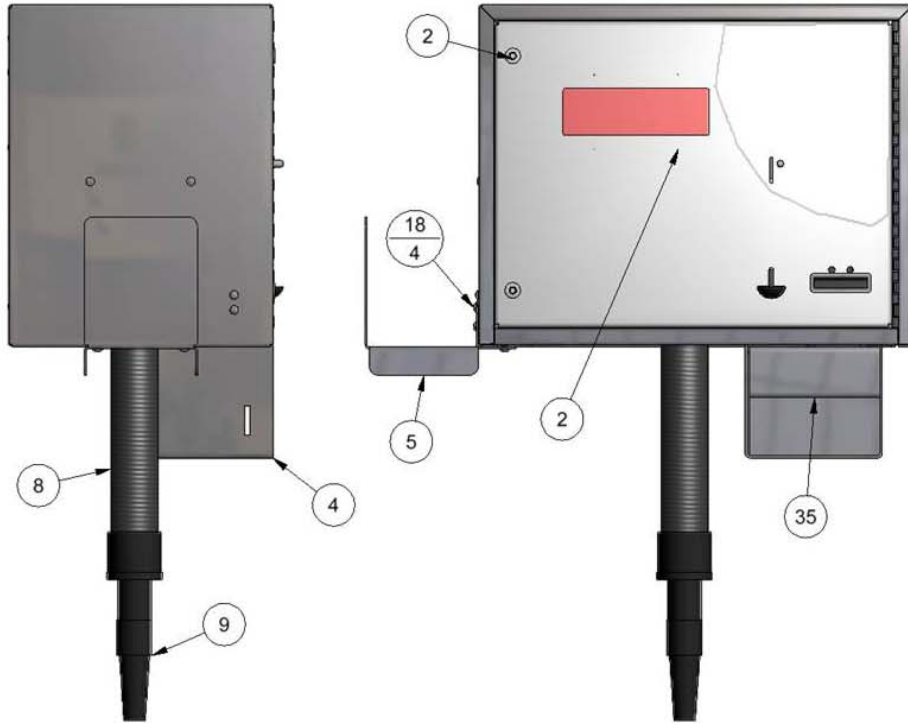
Troubleshooting:

Problem	Possible cause	Solution
Unit is not powered.	Switch inside unit is not in the on position.	Flip switch on.
	No power to machine.	Check incoming power.
	20 amp in-line fuse on motor is blown.	Replace fuse.
	Loose connection.	Check incoming power connection.
Blower not running.	Check in-line fuse.	Replace if necessary.
	Confirm motor brushes are at least 3/8" long.	Replace brushes if necessary.
	Has the proper amount of money been inserted?	Deposit money to activate machine.
Heater is not coming on.	Heater safety thermostat may have tripped due to overheating.	Check manual reset button on thermostat closest to motor. Unit may need to cool down before resetting and this condition generally indicates a problem with the blower not running.
	Heater is not needed when ambient air temperature is over 85 degrees F.	No solution, unit is running properly. When heater does not run, unit will only draw about 15 amps. When heater is on, unit will draw around 25 amps.
Display is not powering.	Open unit and check 24 volts coming out of transformer.	If no voltage, replace transformer.
Machine is behaving erratically.	Is the incoming power at 120V?	Check voltage and monitor while machine runs. Low voltage can cause erratic behavior.
	Are any of the machines wires worn through or connections not making contact?	Inspect wiring and connections. Look for sharp bends in wires and places where wire is against the metal chassis.
Display reads "closed" or "coin."	This indicates a continuous coin pulse coming to the timer or a shorted coin signal wire.	Disconnect coin signal wire at timer to see if problem goes away.
Display reads "error."	This indicated the program may be lost due to a bad battery or a power spike.	Reprogram timer, if problem comes back replace battery.
Display reads "aux."	This means continuous signal to auxiliary input.	
Display reads "fail."	Coin acceptor putting out continuous pulse.	Press mode button on display. If fail does not go away replace coin acceptor.
	Program in display may be lost.	Reprogram display. If fail goes away and then comes back, replace battery in display.
Fuse keeps blowing.	Motor brushes may be too far worn.	Check and replace brushes if necessary.

PART NO. 17000V

BILL OF MATERIALS			
ITEM	PART NUMBER	DESCRIPTION	QTY
34	8157	NUT, #6-32 KEPP NUT STAINLESS	4
35	8204RW	WELDMENT, COIN BOX	1
36	8437D002	ETL DECAL, AIR MACHINES	1
37	8638	PIN LOCK	1
38	8732	NAMEPLATE SERIAL TAG, UL	1
39	8833-30A	FUSE HOLDER - 30A	1
40	8958-1	MEDECO SCREW LOCK	1
41	9500-56	WIRING HARNESS, VALIDATOR	1
42	S17000V	WIRING SCHEMATIC	X

BILL OF MATERIALS			
ITEM	PART NUMBER	DESCRIPTION	QTY
1	1079-3	GASKET	74"
2	11000-11A-1	DOOR ASSY,FRAGRANCE	1
3	11000-6w	BRACKET WELDMENT	2
4	17000-1W	CABINET WELDMENT	1
5	17000-3	BRACKET, HOSE HANGER, BOX CABINETS	1
6	17000-5A-1	CONTROL PLATE ASSEMBLY	1
7	17000DBLUE	DECAL, 17000, BLUE	1
8	2036-2	HOSE, 2" X 30' BLACK HIGH HEAT	1
9	2058-5	TURBO TOWEL NOZZLE	1
10	29000-42W	MOUNTING BRKT, WELDMENT	1
11	29000-44W	VALIDATOR BOX WELDMENT	1
12	29000-45W	VALIDATOR FACEPLATE WELDMENT	1
13	29000-59	VALIDATOR FACEPLATE HANDLE	1
14	5601D4	1/4-20 x 3/4 HHCS-SS	3
15	5603D9	10 Std NF Nylock Nut	2
16	5604D1	#10-24 x 1/2 CARR BOLT	6
17	5611D2	NUT, 10-24 UNC KEPP- ZINC	11
18	5631d1	1/4-20 SCREW, ONE-WAY HEAD	4
19	5635D2	1/4-20x1" CARRIAGE BOLT	2
20	5636D1	#10-24 PHIL. PAN HEAD SCREW	6
21	5644D1	CAGE NUT	1
22	5644D2	CAGE NUT	2
23	5721D2	HEAT SHRINK TUBING	21.5"
24	5901D2	WIRE NUT, RED	3
25	5901D5	ORANGE WIRE CONNECTOR	1
26	5943F3220	WIRE, 10G BLACK	24"
27	5943F3229	WIRE, 10G WHITE	24"
28	5979D1	FUSE, 20A	1
29	8000-23	FEMALE 5 POLE CONN	1
30	8036	NUT, 1/4-20 UNC KEPS	9
31	8061-720-6	BRACKET, VAC MOTOR	1
32	8061A	TURBO TOWEL ASSY	1
33	8130-6	MARS 110V BILL VALIDATOR	1



PAGE 1 OF 2


TITLE		AIR BLOWER MACHINE, w/VAL	
MATERIAL		CEDAR RAPIDS, IOWA	
UNSPECIFIED TOLERANCES		SCALE	
1 PL	±.030	DRAWN BY JOHN F.	
2 PL	±.010		
3 PL	±.003		
DATE		5/4/2009	
ANGLE ±1.0°		PART NO. 17000V	
		REV. B	

B	6903	ADD ETL DECAL & NAMEPLATE DECAL	031512	JF
A	6769	REMOVE WAGO CONN, ADD WIRE NUT	010512	JF
REV	NO.	DESCRIPTION	DATE	BY
THIS DOCUMENT SHALL NOT BE REPRODUCED NOR SHALL THE INFORMATION THEREIN BE USED BY OR DISCLOSED TO OTHERS EXCEPT AS AUTHORIZED BY J.E. ADAMS INDUSTRIES				

PART NO. 17000V



PAGE 2 OF 2

TITLE		AIR BLOWER MACHINE, w/VAL		
UNSPECIFIED TOLERANCES	MATERIAL	CEDAR RAPIDS, IOWA		
1 PL ±.030	SCALE			
2 PL ±.010	DRAWN BY			JOHN F.
3 PL ±.003	DATE			5/4/2009
ANGLE ±1.0°	PART NO.	17000V	REV. B	

A	6769	REMOVE WAGO CONN, ADD WIRE NUT PAGE 1	010512	JF
REV	NO.	DESCRIPTION	DATE	BY

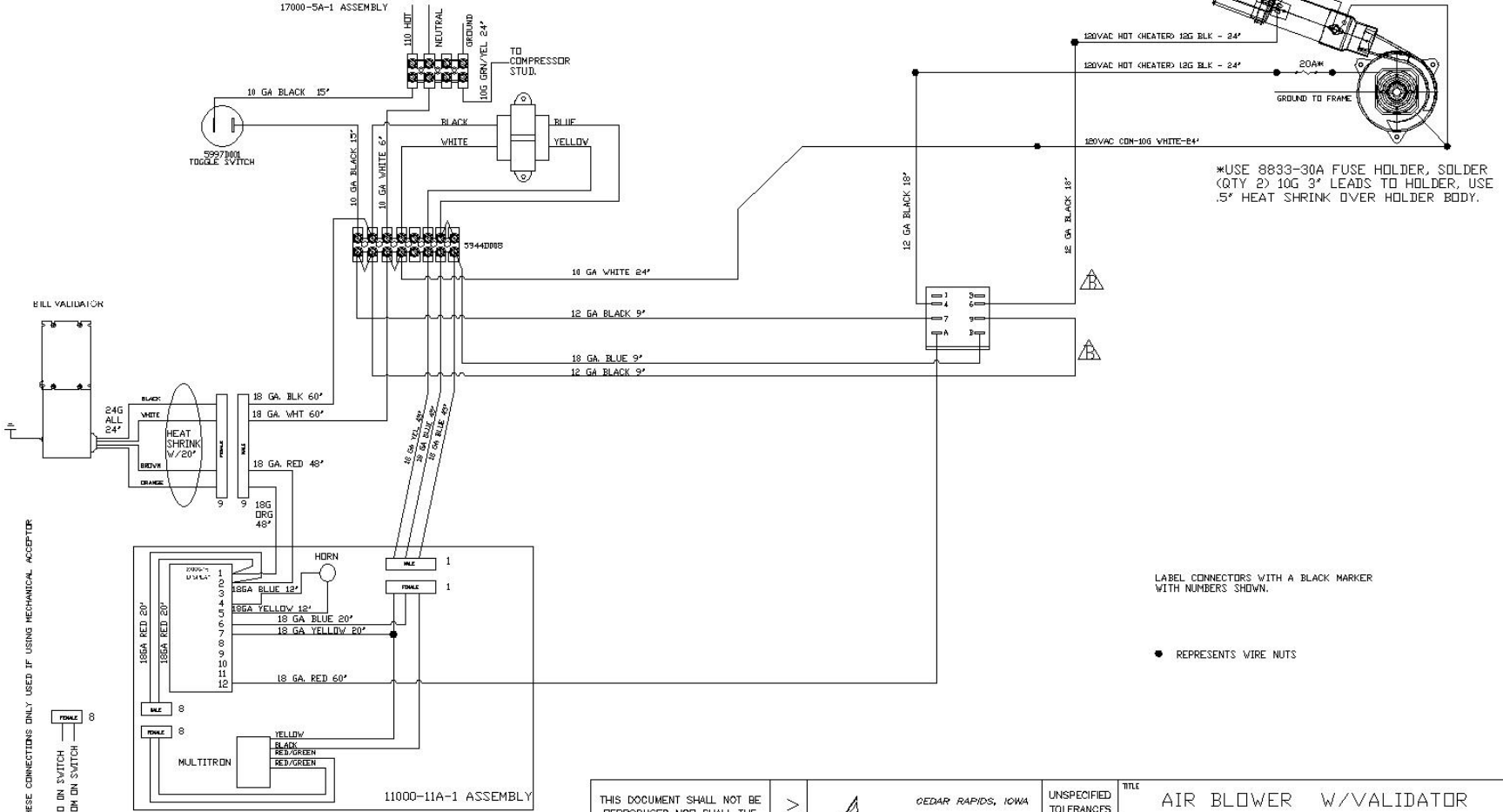
THIS DOCUMENT SHALL NOT BE REPRODUCED NOR SHALL THE INFORMATION THEREIN BE USED BY OR DISCLOSED TO OTHERS EXCEPT AS AUTHORIZED BY J.E. ADAMS INDUSTRIES

PART NO. S17000V

NOTES
FIELD WIRING MUST COMPLY WITH LOCAL AND NATIONAL ELECTRICAL CODES

CONTROL PLATE ASSEMBLY

17000-5A-1 ASSEMBLY



*USE 8833-30A FUSE HOLDER, SOLDER (QTY 2) 10G 3\"/>

LABEL CONNECTORS WITH A BLACK MARKER WITH NUMBERS SHOWN.

● REPRESENTS WIRE NUTS

THESE CONNECTIONS ONLY USED IF USING MECHANICAL ACCEPTOR

THIS DOCUMENT SHALL NOT BE REPRODUCED NOR SHALL THE INFORMATION THEREIN BE USED BY OR DISCLOSED TO OTHERS EXCEPT AS AUTHORIZED BY J.E. ADAMS INDUSTRIES

PART NO. S17000V

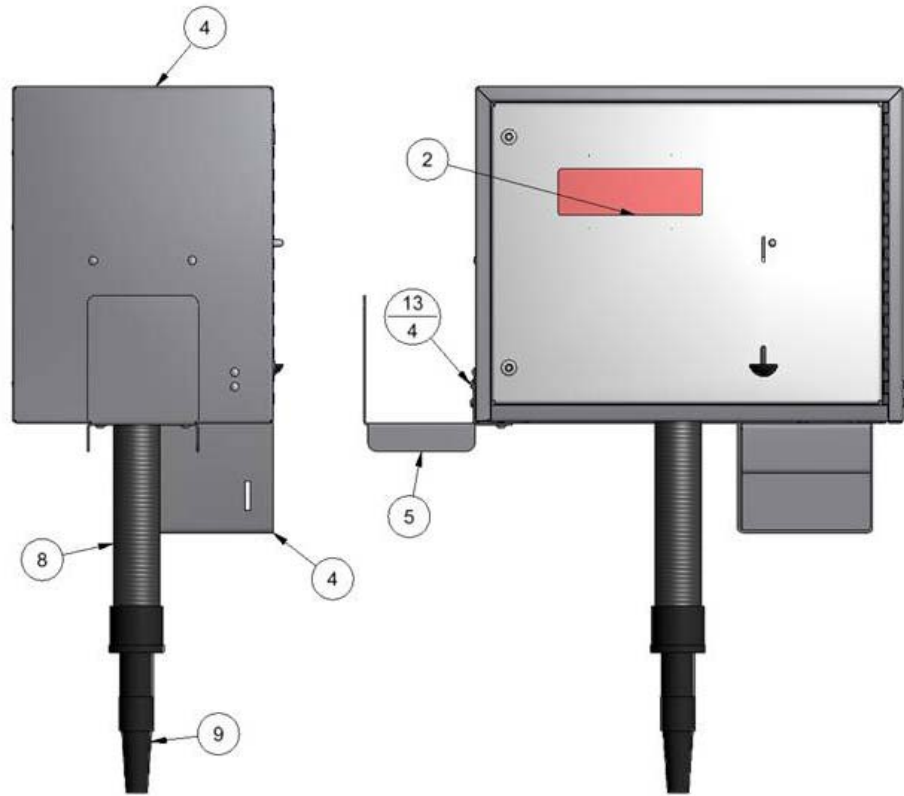


UNSPECIFIED TOLERANCES


TITLE		AIR BLOWER W/VALIDATOR			
DRAWN BY	DATE	SCALE	REL. PER. PROJ.	REV. LEVEL	
JF	8-09	INCH	-	B	
NATIONAL		PART NO.	S17000V		

B	6769	UPDATE WIRING DIAGRAM FOR RELAY	010612	JF
REV	NO.	DESCRIPTION	DATE	BY

PART NO. 17000-220V



BILL OF MATERIALS			
ITEM	PART NUMBER	DESCRIPTION	QTY
1	1079-3	GASKET	74"
2	11000-11A	DOOR ASSEMBLY, SHAM-SPOT	1
3	11000-6w	BRACKET WELDMENT	2
4	17000-1W	CABINET WELDMENT	1
5	17000-3	BRACKET, HOSE HANGER, BOX CABINETS	1
6	17000-5A-220V	CONTROL PLATE ASSEMBLY	1
7	17000DBLUE	DECAL, 17000, BLUE	1
8	2036-2	HOSE, 2" X 30' BLACK HIGH HEAT	1
9	2058-5	NOZZLE, AIR BLOWER	1
10	5601D4	1/4-20 x 3/4 HHCS-SS	3
11	5604D1	#10-24 x 1/2 CARR BOLT	6
12	5611D2	NUT, 10-24 UNC KEPP- ZINC	11
13	5631d1	1/4-20 SCREW, ONE-WAY HEAD	4
14	5635D2	1/4-20x1" CARRIAGE BOLT	2
15	5636D1	#10-24 PHIL. PAN HEAD SCREW	4
16	5644D2	CAGE NUT	2
17	5721D2	HEAT SHRINK TUBING	21.5"
18	5901D2	WIRE NUT, RED	2
19	5901D5	ORANGE WIRE CONNECTOR	1
20	5943F3220	WIRE, 10G BLACK	24"
21	5943F3222	WIRE, 10G RED	24"
22	5979D2	FUSE, 10A	1
23	8000-27	CONNECTOR, WAGO WALL-NUT	2
24	8036	NUT, 1/4-20 UNC KEPS	5
25	8061-720-6	BRACKET, VAC MOTOR	1
26	8061A-220V	TURBO TOWEL ASSY	1
27	8204RW	WELDMENT, COIN BOX	1
28	8638	PIN LOCK	1
29	8833-30A	FUSE HOLDER - 30A	1
30	S17000-220V	WIRING SCHEMATIC	X

TITLE			
AIR BLOWER MACHINE, 220V			
UNSPECIFIED TOLERANCES	MATERIAL	CEDAR RAPIDS, IOWA	
1 PL ±.030	SCALE		
2 PL ±.010	DRAWN BY		
3 PL ±.003	DATE		
ANGLE ±1.0°	DATE	2/9/2011	REV.
		17000-220V	

REV	NO.	DESCRIPTION	DATE	BY
THIS DOCUMENT SHALL NOT BE REPRODUCED NOR SHALL THE INFORMATION THEREIN BE USED BY OR DISCLOSED TO OTHERS EXCEPT AS AUTHORIZED BY J.E. ADAMS INDUSTRIES				

