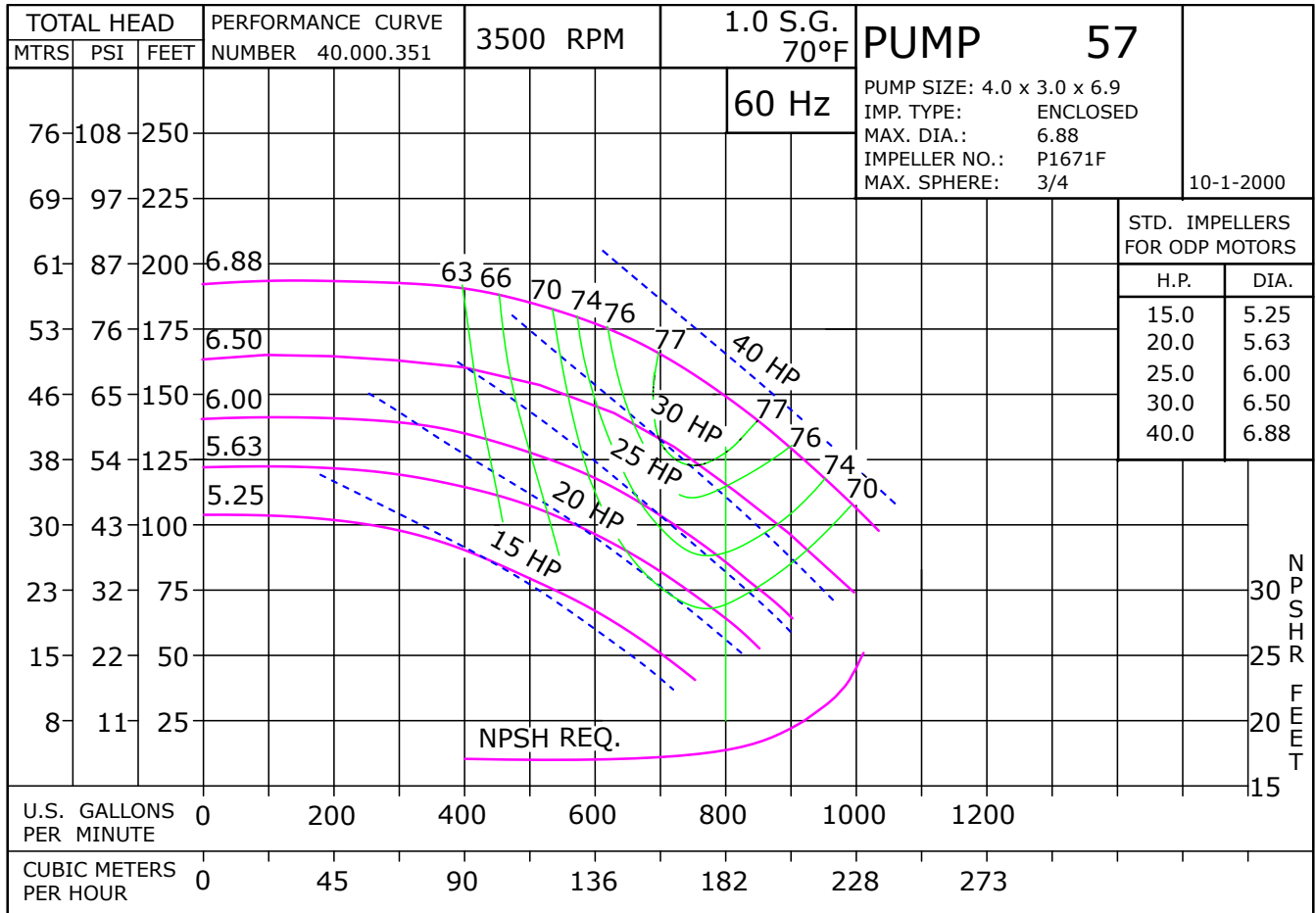
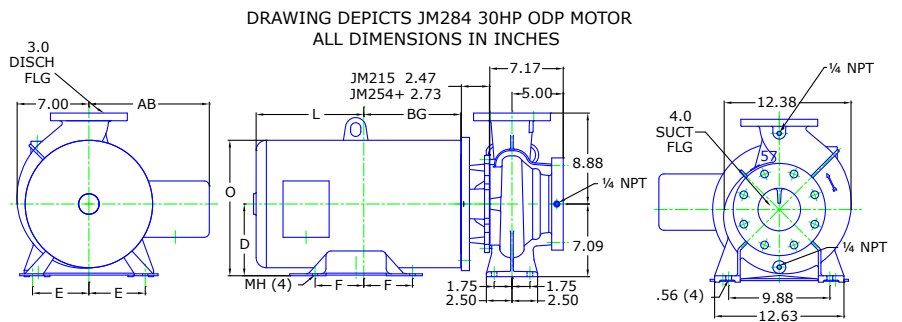
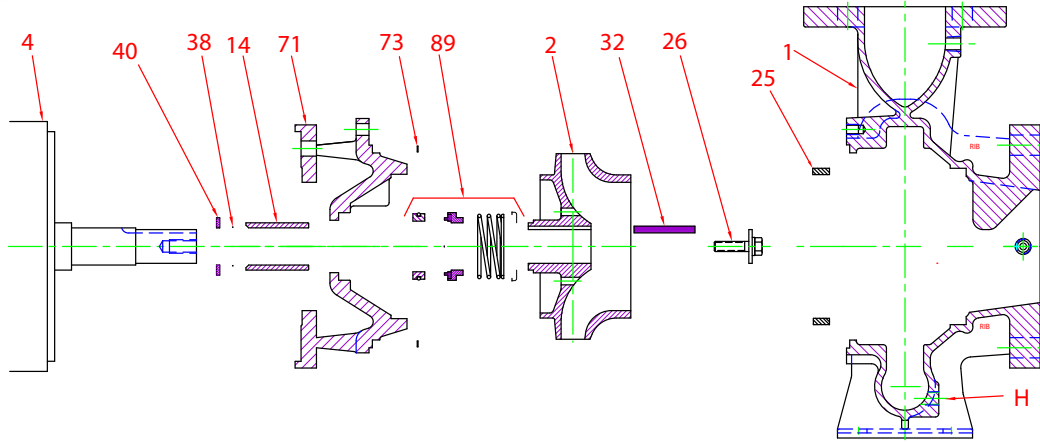




Motor Dimensions										
HP	NEMA Type	Premium Efficient Frame	D	E	JM Frame F	3 Phase O	AB	BG	L	3500 RPM MH
15	ODP	JM215	5.25	4.25	3.50	10.03	7.92	7.75	6.19	0.43
20	ODP	JM254	6.25	5.00	4.13	12.00	9.49	8.88	9.06	0.53
25	ODP	JM256	6.25	5.00	5.00	12.00	9.49	9.75	8.19	0.53
30	ODP	JM284	6.97	5.50	5.50	13.59	11.37	10.25	10.81	0.53
40	ODP	JM286	6.97	5.50	5.50	13.59	11.37	10.25	12.06	0.53
15	TEFC	JM215	5.25	4.25	3.50	10.37	8.19	6.77	9.16	0.41
20, 25	TEFC	JM256	6.25	5.00	5.00	12.76	10.48	9.01	11.70	0.53
30	TEFC	JM286	7.00	5.50	5.50	14.11	11.07	10.02	13.04	0.53
40	TEFC	JM324	8.00	6.25	5.25	15.93	12.58	10.25	13.83	0.66

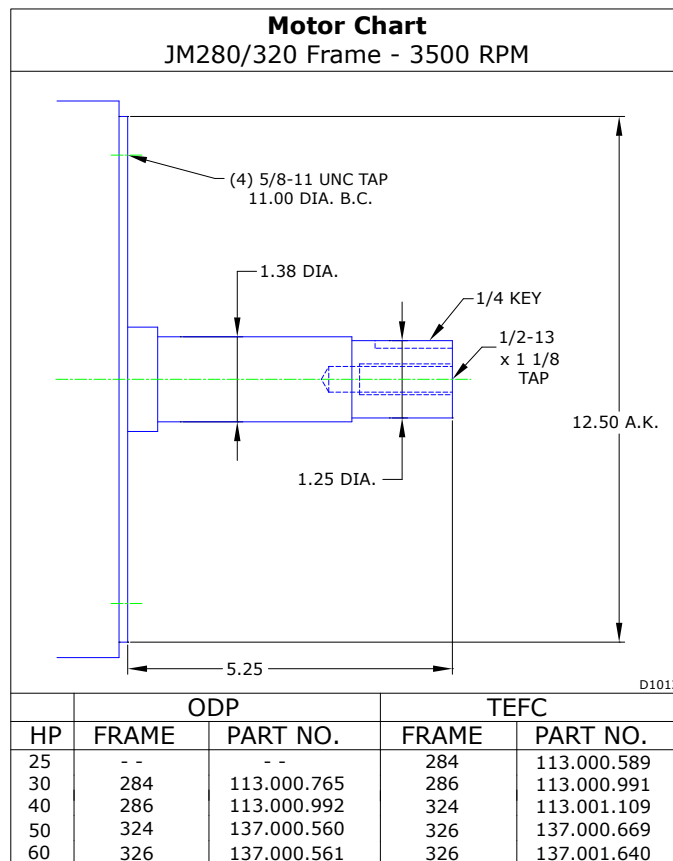
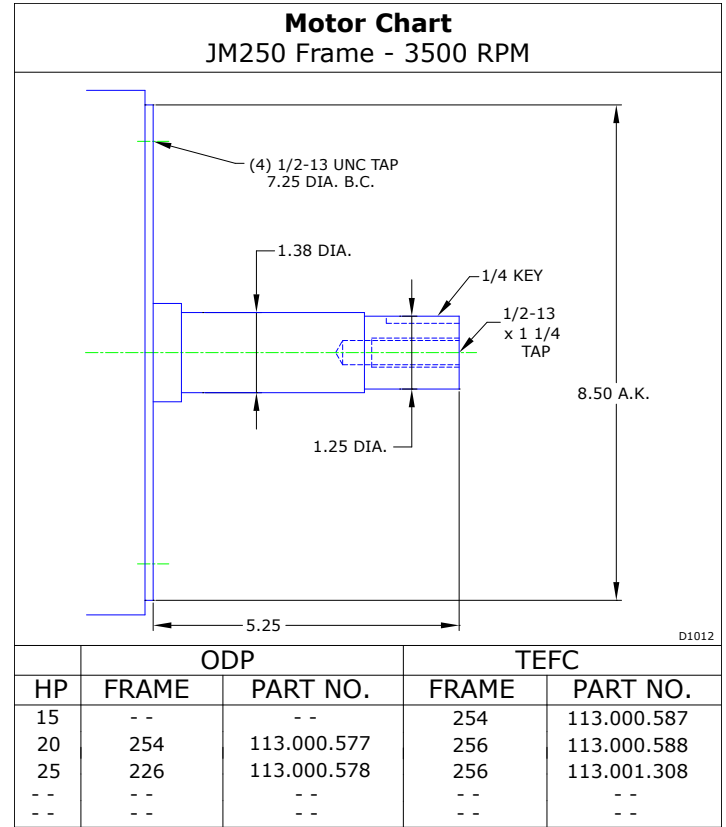
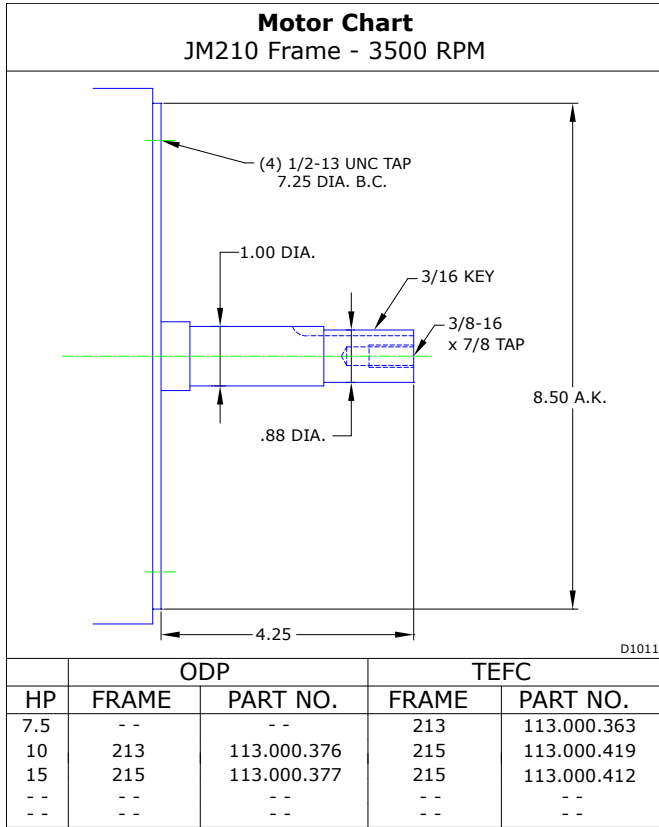




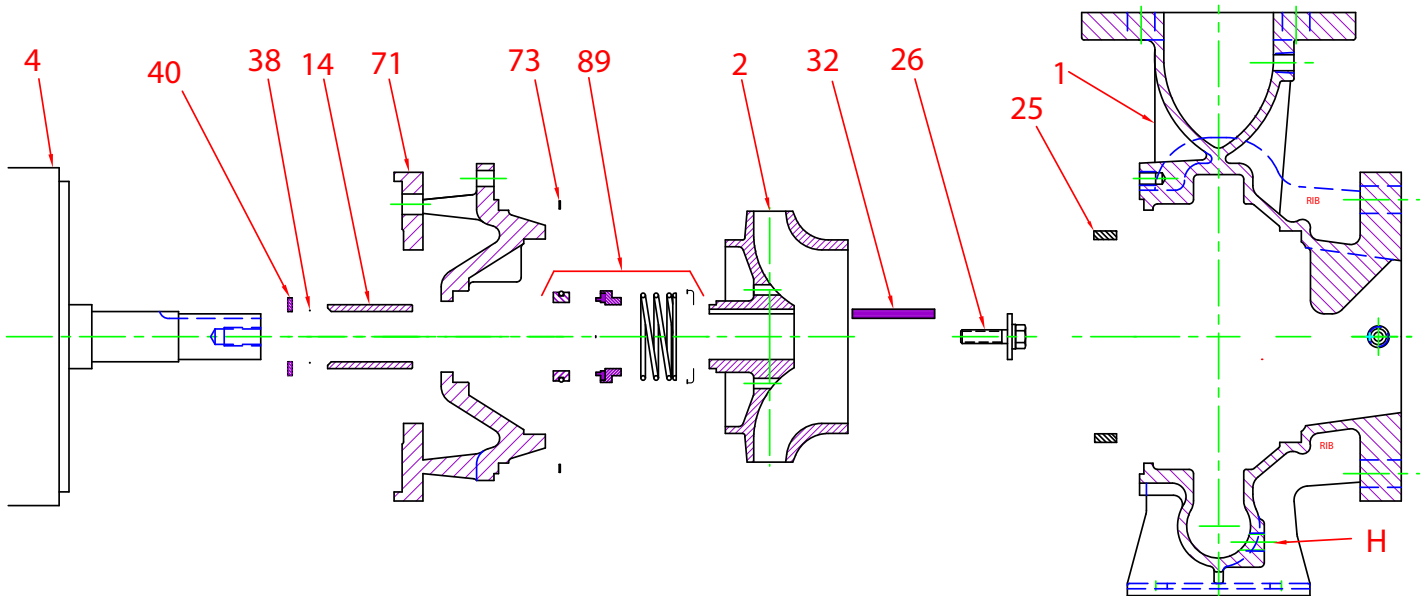
Key No.	Part Name	Part Number	
		15 HP	20-40 HP
1+	Case 57, Iron, 4.00 X 3.00 FLG Bronze Wear Ring and plugs	130.000.297X	130.000.297X
2	Impeller 57, Bronze, Specify Dia., 6.87 Max 7/8" Key	7/8" Key 137.000.222	1 1/4" Key 137.000.133
	Impeller 57, Iron, Specify Dia., 6.87 Max 7/8" Key	137.000.122	131.000.830
4	Motor, JM210 3500 rpm	See Chart	--
	Motor, JM250 3500 rpm	--	See Chart
	Motor, JM280/320 3500 rpm	--	See Chart
14*	Shaft sleeve, Bronze	110.000.215	110.000.366
	Shaft Sleeve, Stainless	110.000.373	110.000.365
25	Wear ring, Bronze	103.000.197	103.000.197
	Wear ring, Steel	103.000.218	103.000.218
26*	Impeller retaining assembly, Stainless	118.000.163A	118.000.640
32*	Key, Stainless	102.000.256	102.000.257
38*	O-ring, Shaft, Buna	116.000.117	116.000.218
	O-ring, Shaft, Viton	116.000.105	116.000.218A
40*	Flinger, Stainless	104.000.256	104.000.200
71	Adapter, Iron, JM210 1-1/2" Seal, with Brass plug	132.000.338X	--
	Adapter, Iron, JM250 1-3/4" Seal	--	132.000.316
	Adapter, Iron, JM280 1-3/4" Seal	--	132.000.317
73*	Gasket, Case, Fiber	116.000.273	116.000.273
		1 1/2"	1 3/4"
	Seal, Type 21, BN-CARB/CM	101.000.168	101.000.196
	Seal, Type 21, EPDM-CARB/SIL	101.000.175B	101.000.196B
	Seal, Type 21, EPDM-SIL/SIL	101.000.204A	137.001.555
	Seal, Type 21, VN-CARB/CM	101.000.191	101.000.216
	Seal, Type 21, VN-CARB/SIL	101.000.175	101.000.221
	Seal, Type 21, VN-SIL/SIL	101.000.204	101.000.231
89A*	Seal spring retainer, Stainless	104.000.174	Included w/seal
KIT	Repair Kit, BN-CARB/CM Seal, Brz sleeve, BN O-ring	118.000.383	118.000.385
	Repair Kit, EPDM-CARB/SIL Seal, Brz sleeve, BN O-ring	118.000.383C	118.000.385C
	Repair Kit, EPDM-SIL/SIL Seal, Brz sleeve, BN O-ring	118.000.383F	118.000.385F
	Repair Kit, VN-CARB/CM Seal, Brz sleeve, BN O-ring	118.000.383G	118.000.385D
	Repair Kit, VN-CARB/CM Seal, Stn sleeve, VN O-ring	118.000.383A	118.000.385A
	Repair Kit, VN-CARB/SIL Seal, Brz sleeve, BN O-ring	118.000.383B	118.000.385B
	Repair Kit, VN-SIL/SIL Seal, Stn sleeve, VN O-ring	118.000.383E	118.000.385E

\* Denotes components included in repair kit.

+ Includes bronze wear ring. For steel, replace suffix "X" with "X1".



D1011  
D1012  
D1013  
C19



Construction Options				
Key	Part Name	Standard	Bronze	All Iron
1	Case	Iron	Iron	Iron
2	Impeller	Iron	Bronze	Iron
14	Shaft Sleeve	Bronze	Bronze	Stainless
25	Wear Ring	Bronze	Bronze	Steel
26	Impeller Retaining Assy	Stainless	Stainless	Stainless
32	Key	Stainless	Stainless	Stainless
38	Shaft O-Ring	Buna	Buna	Buna
40	Flinger	Stainless	Stainless	Stainless
71	Adapter	Iron	Iron	Iron
73	Gasket, Case	Fiber	Fiber	Fiber
89	Mechanical Seal, Type 21 BN-CM	Standard	Standard	Standard
89A*	Seal Spring Retainer	Stainless	Stainless	Stainless
H	Plug, Drain	Brass	Brass	Plated Steel

\* Included with seal on 20-25 HP