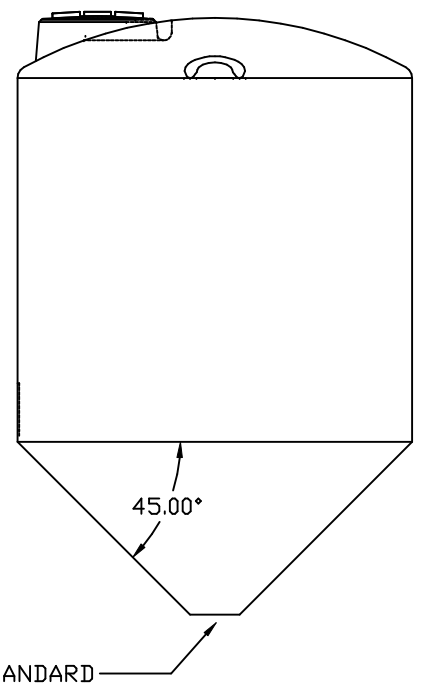
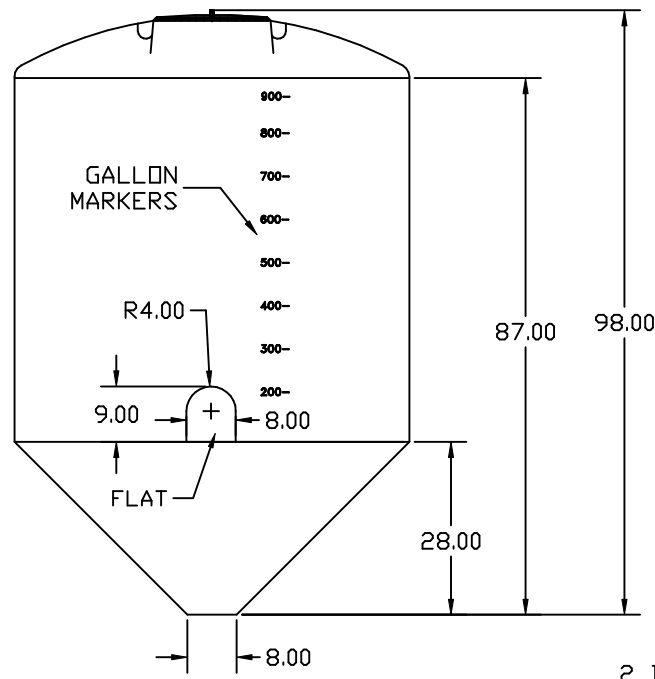
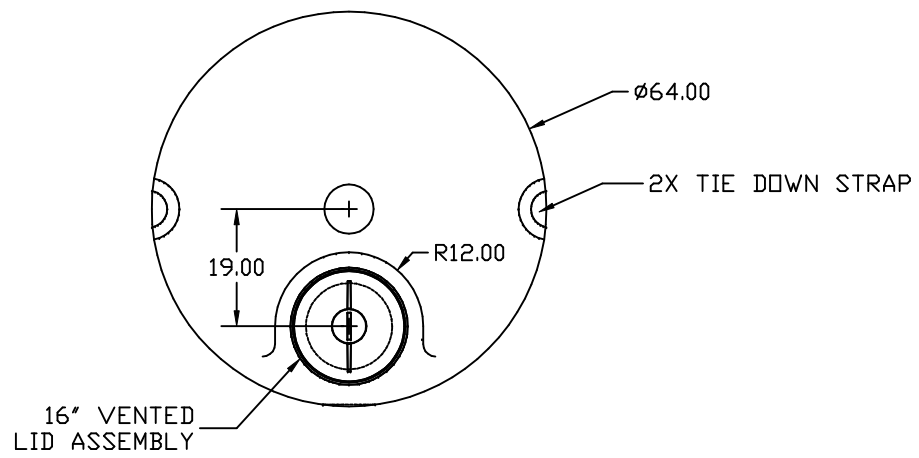


PROPRIETARY DATA

CB1000-64

A

PROPERTY OF ACE ROTO-MOLD MFG., INC. INFORMATION FURNISHED HEREIN IS THE PROPERTY OF ACE ROTO-MOLD MFG., INC. AND SHALL NOT BE USED, DISCLOSED TO OTHERS, OR COPIED WITHOUT THE EXPRESSED WRITTEN CONSENT OF ACE ROTO-MOLD MFG., INC. ALL RIGHTS RESERVED.



A	ISOLATED TANK FROM STAND	5/23/06	NVE
REV	DESCRIPTION	DATE	APPRD

DRAWN / DATE  
EDB 5/7/96

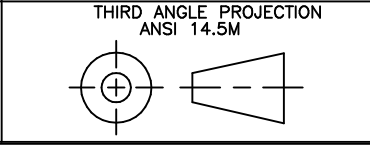
APPRD. / DATE  
REH 4/18/07

MATERIAL  
HDPE OR EQUIVALENT  
REFERENCE MATERIAL DATA SHEET  
FOR SPECIFIC PROPERTIES.

**ACE ROTO-MOLD**  
A DIVISION OF DEN HARTOG INDUSTRIES, INC.  
4018 HWY. 60 BLVD, BOX 421, HOSPERS, IOWA 51238

CLIENT / DESCRIPTION  
1000 GALLON CONE BOTTOM TANK

ALL DIMENSIONS ARE IN DECIMAL INCHES  
TOLERANCES UNLESS OTHERWISE SPECIFIED  
± 1% @ 68° F



NOTES:  
1. NOM. WALL @ .350  
2. SHOT WEIGHT 250 LBS.

SCALE  
N.S.

PART NO.  
CB1000-64