

ROJO FLOAT VALVE

PRODUCT INFO



Description

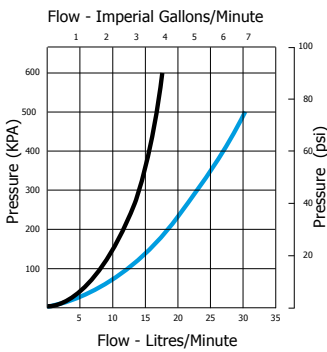
Rojo Float Valves are float operated valves for automatic filling of water storage vessels. The Rojo can be **mounted above or below water level**. It is a simple mechanically operated valve. The Rojo is a good choice where its **low flow** is sufficient and its compact non corrosive construction is beneficial.

Applications

Maintaining water levels in:

- Animal drinking troughs
- Water storage tanks
- Water Cisterns
- Process applications

Flow Graph

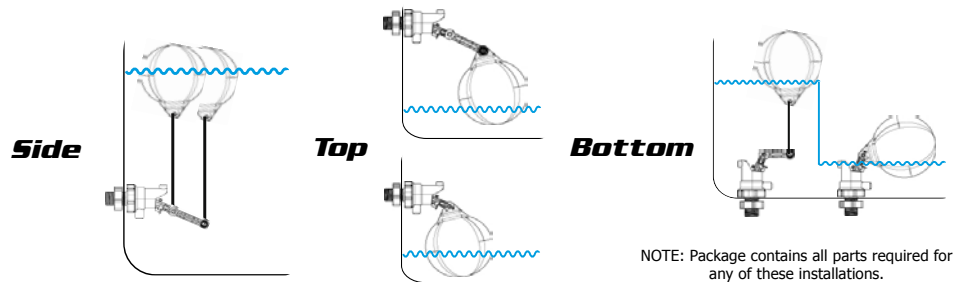


Key
 ■ Standard
 ■ Low Pressure

Features

- Side, Bottom, Top Mounting
- Valve body screws apart by hand for easy servicing
- Flow stops when unscrewed for servicing
- Supplied with backnut and seal washer
- Built in check valve
- Fully adjustable float angle
- Pressure range 0-10 Bar (0-150 PSI)
- Low pressure model also available 0-5 Bar(0-75 psi) gives 60% more flow
- Non corrosive material construction
- Has switch to lock valve in off position

Mounting Positions



NOTE: Package contains all parts required for any of these installations.

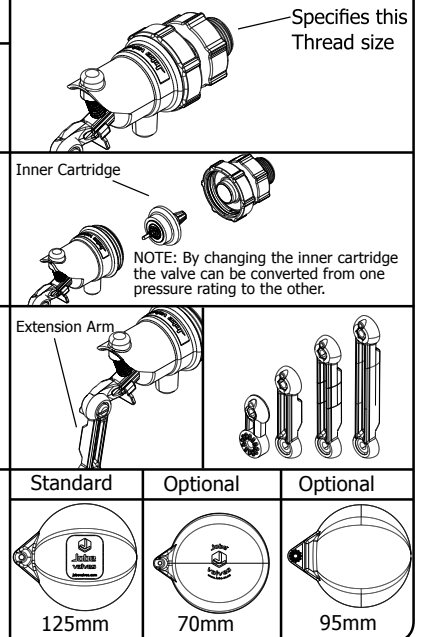
Options

Inlet sizes: 8mm 1/4" bsp/npt
 15mm 1/2" bsp/npt
 20mm 3/4" bsp/npt

Pressure Rating:
STD 0 Bar(0 PSI) - 10 Bar (150 PSI)
HF 0 Bar(0 PSI) - 5 Bar (75 PSI)

Extension Arms:
 75mm Extension Arm supplied Standard
 Available Extension Arm Lengths:
 25mm 50mm 75mm 100mm

Floats: 125mm wide floats supplied standard.
 Note: Suitable for any mounting position
 70mm and 95mm floats optional
 Note: Suitable for top entry only.



ROJO FLOAT VALVE SPECIFICATION					
PRODUCT	CODE	INLET SIZE	CODE	OPTIONS	CODE
Rojo Float valve	RJV	1/4" bsp/npt 1/2" bsp/npt 3/4" bsp/npt	15 20	Low pressure	HF
				25mm Extn Arm	A25
				50mm Extn Arm	A50
				75mm Extn Arm	A75
				100mm Extn Arm	A100
				70mm wide Float	F70
95mm wide Float	F95				
(e.g) A Rojo Float Valve with: 3/4" bsp inlet, 100mm Extn Arm, 95mm Float has the following spec number: RJV 20 A100 F95 NOTE: If no options are specified the standard ones will be supplied					

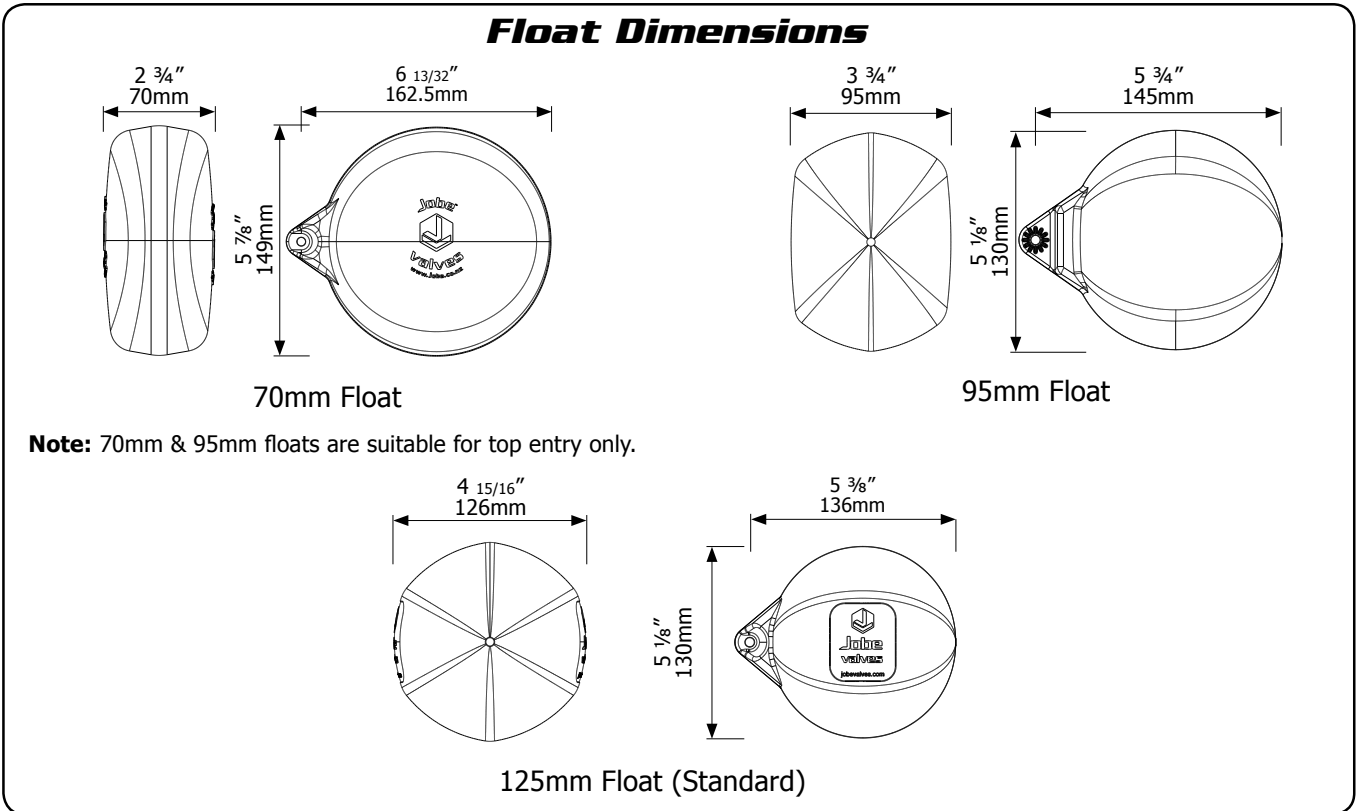
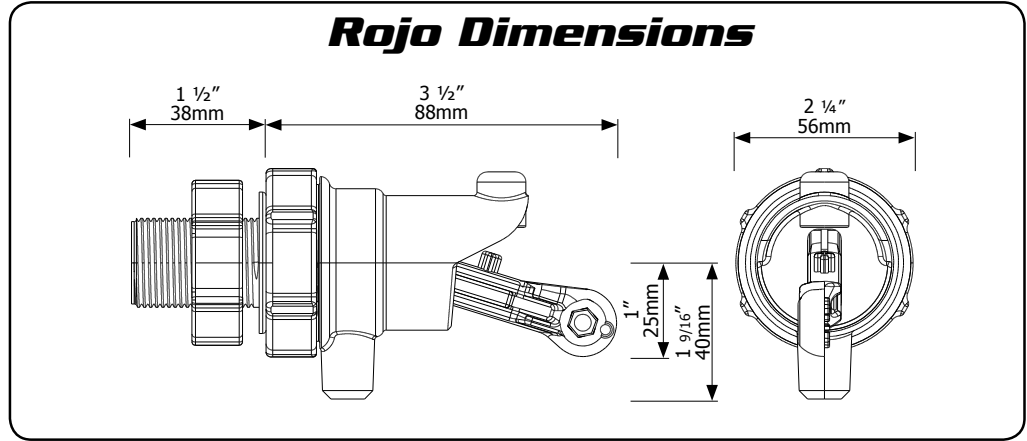
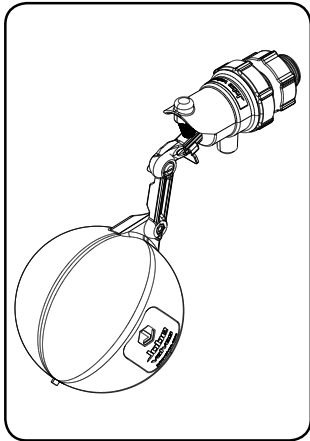
Note: Product may differ slightly from these specs due to ongoing product development.

ROJO FLOAT VALVE

DIMENSIONS AND MATERIALS



20 L / MIN

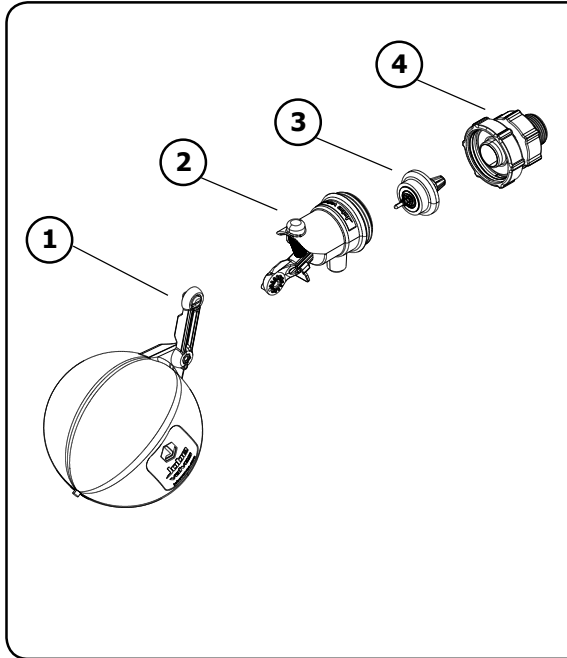
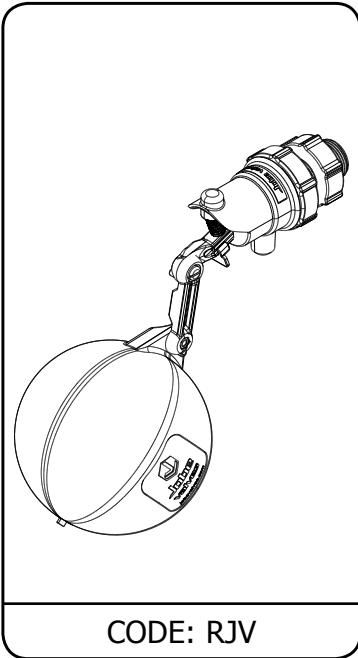


Part	Material	Part	Material
Valve Body	ABS	Seal Washer	LOPE
Tail & Nut Arm	Glass Filled Nylon	Springs Bolts Nuts	304 Stainless Steel
Extension Arms Internal Black Mouldings		O'Rings	Nitrile
Yellow Valve Parts Filter	Acetal	Float Cord	Polyester
Float	HDPE		

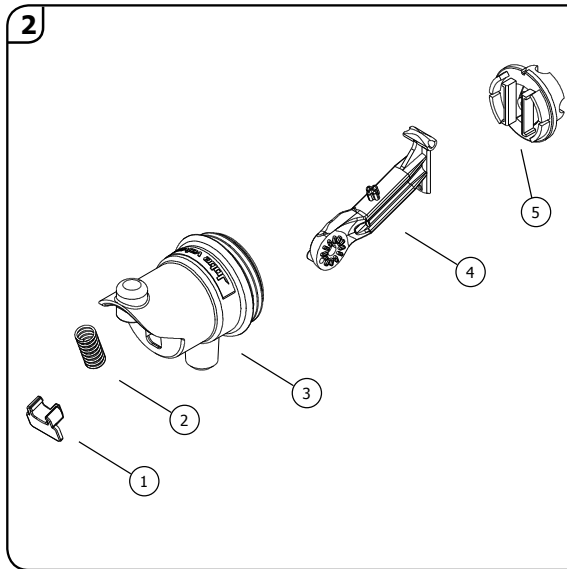
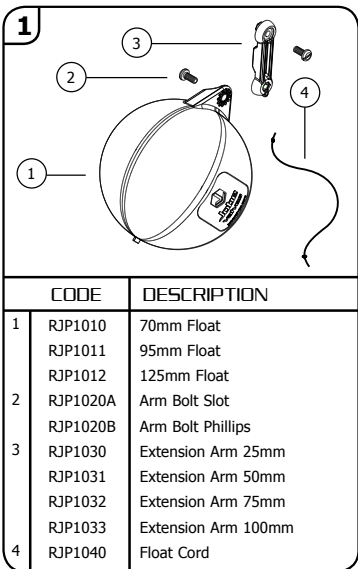
Maximum Operating Temperature **60°C, 140°F**

ROJO FLOAT VALVE

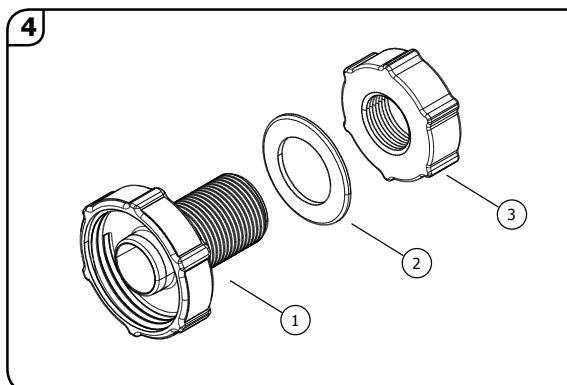
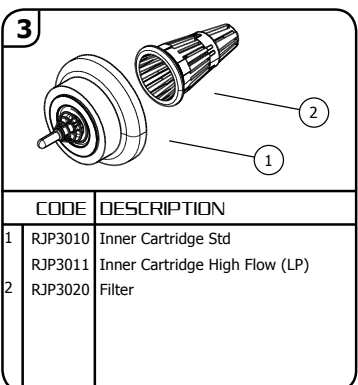
PARTS IDENTIFICATION SHEET



CODE	DESCRIPTION
1 RJP1	Float & Connection
2 RJP2A	Body Assembly
3 RJP3A	Inner Cartridge Assembly
RJP3B	Inner Cartridge Assembly High Flow (L/P)
4 RJP415	15mm (1/2") Tail Assembly
RJP420	20mm (3/4") Tail Assembly
RJP420E	20mm (3/4") NPT Tail Assembly



CODE	DESCRIPTION
1 RJP2010	Lock-Off Switch
2 RJP2020	Arm Spring
3 RJP2030	Body
4 RJP2040	Arm Assembly
RJP2041	Arm Assembly (HF)
5 RJP2050	Retainer



CODE	DESCRIPTION
1 RJP4009	8mm (1/4") Tail
RJP4010	15mm (1/2") Tail
RJP4011	20mm (3/4") Tail
RJP4012	20mm (3/4") Tail NPT
2 RJP4020	15mm Seal Washer
RJP4021	20mm Seal Washer
3 RJP4030	15mm (1/2") Backing Nut
RJP4131	20mm (3/4") Backing Nut

20 L / MIN