

FLOMAX 10,15
SERIES 120, 200
ULTRAMOTOR 1MR012 .73 CU. IN. /REV.

NOTE: THIS DRAWING OR PRINT, PROPERTY OF MP PUMPS INC., CONTAINS PROPRIETARY AND CONFIDENTIAL INFORMATION. IT SHALL BE USED ONLY AS APPROVED BY MP PUMPS AND SHALL NOT BE GIVEN TO OTHERS OR COPIED WITHOUT THE WRITTEN CONSENT OF MP PUMPS. RETURN TO MP PUMPS PROMPTLY WHEN REQUESTED.

REV	DESCRIPTION	DRAWN	DATE	EN
G				
F				
E				
D				
C				
B	UPDATED DWG ECN 1129513	SF	10/3/19	SF
A	REVISION NOTE	-	-	-

UNLESS OTHERWISE NOTED
THIRD ANGLE PROJECTION
2 PLACE DIM \pm .020
3 PLACE DIM \pm .010
ANGULAR DIM \pm 1°

DO NOT SCALE

NAME

PED ASY:HYD FLO 10/15 ULTRA .73

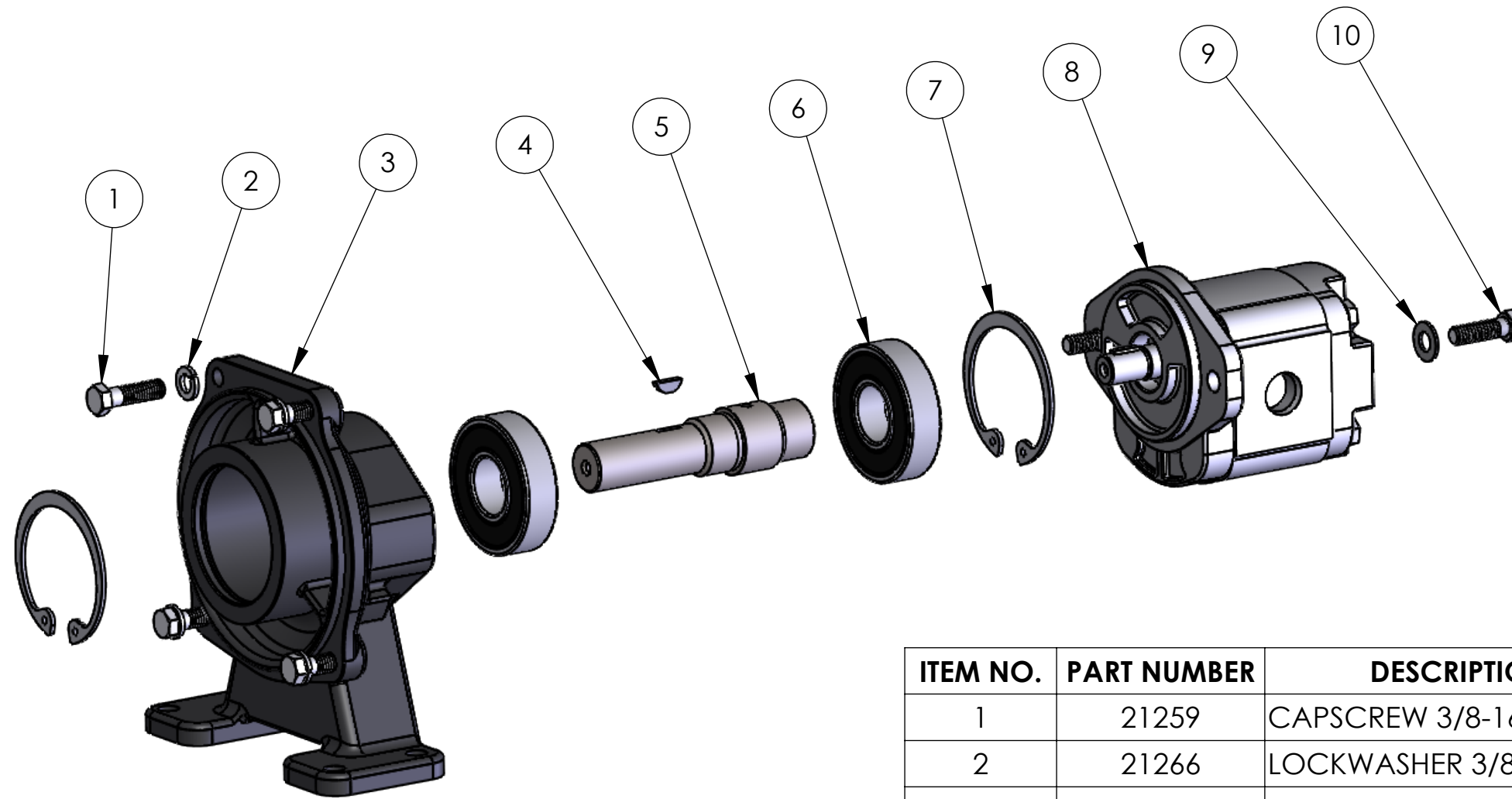
MP PUMPS, INC.

FRASER, MICHIGAN 48026, U.S.A.

MATERIAL		MATERIAL SPECS			
DRAWN BY	DATE COMP.	APPROV.	SCALE	MADE FOR	MADE FROM
SF	10/3/19	SF			

DRAWING NO.

28551



ITEM NO.	PART NUMBER	DESCRIPTION	MATERIAL	QTY.
1	21259	CAPSCREW 3/8-16	304 SS	4
2	21266	LOCKWASHER 3/8 X 1/8	304 SS	4
3	25467	PEDESTAL	CAST IRON	1
4	21163	WOODRUFF KEY 5/8x5/32	304 SS	1
5	25469	SHAFT	303 STAINLESS STEEL	1
6	25474	BALL BEARING	STEEL	2
7	22035	SNAP RING	STEEL	2
8	28544	HYD MOTOR	5/8 SH DISPL .73 CU IN	1
9	21449	WASHER 7/8x3/8	STEEL	2
10	21274	CAPSCREW 3/8-16X1.25	304 SS	2

NOTE: THIS DRAWING OR PRINT, PROPERTY OF MP PUMPS INC., CONTAINS PROPRIETARY AND CONFIDENTIAL INFORMATION. IT SHALL BE USED ONLY AS APPROVED BY MP PUMPS AND SHALL NOT BE GIVEN TO OTHERS OR COPIED WITHOUT THE WRITTEN CONSENT OF MP PUMPS. RETURN TO MP PUMPS PROMPTLY WHEN REQUESTED.

G						UNLESS OTHERWISE NOTED THIRD ANGLE PROJECTION 2 PLACE DIM ±.020 3 PLACE DIM ±.010 ANGULAR DIM ±1°	MP PUMPS, INC.					
F							FRASER, MICHIGAN 48026, U.S.A.					
E							MATERIAL		MATERIAL SPECS			
D							DRAWN BY	DATE COMP.	APPROV.	SCALE	MADE FOR	MADE FROM
C							SF	10/3/19	SF			
B	UPDATED DWG	ECN 1129513	SF	10/3/19	SF	DO NOT SCALE						
A	REVISION NOTE		-	-	-	NAME					DRAWING NO.	
REV	DESCRIPTION		DRAWN	DATE	EN	PED ASY:HYD FLO 10/15 ULTRA .73					28551	