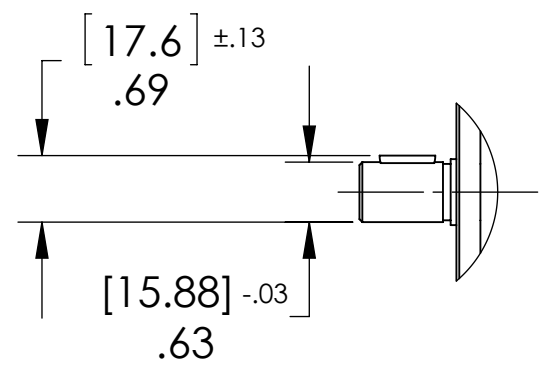
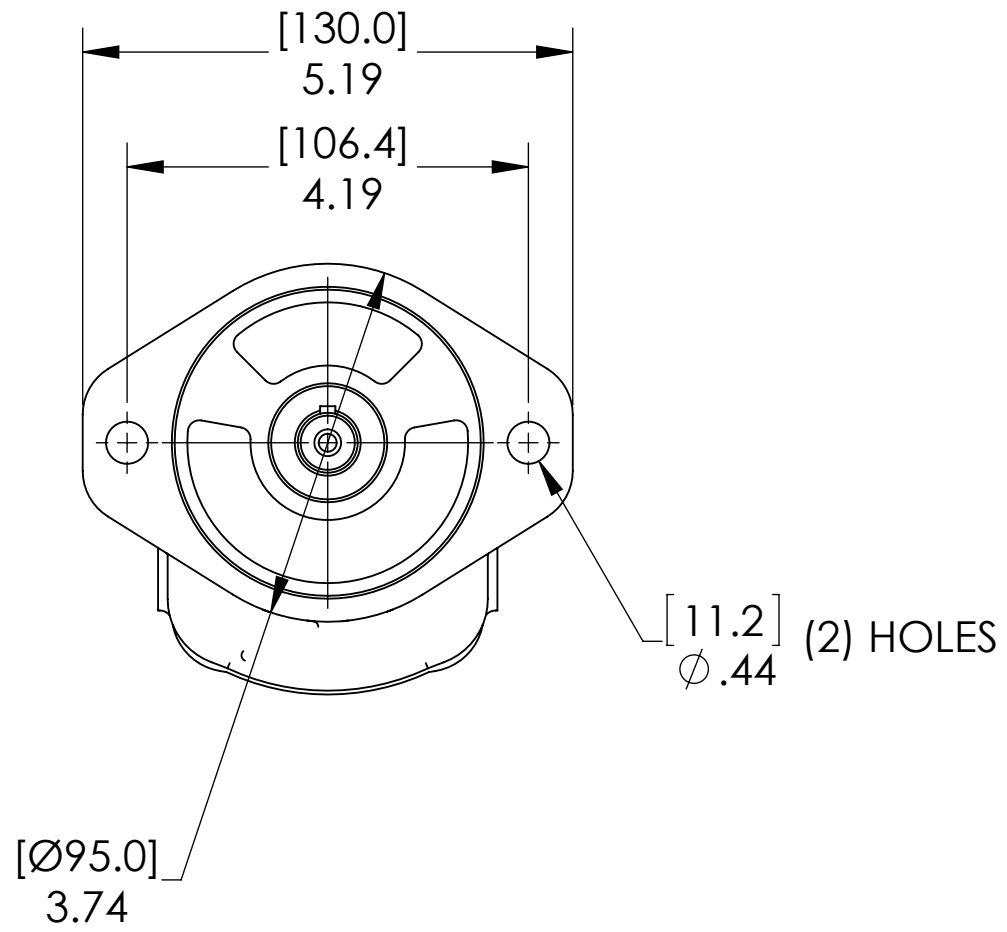


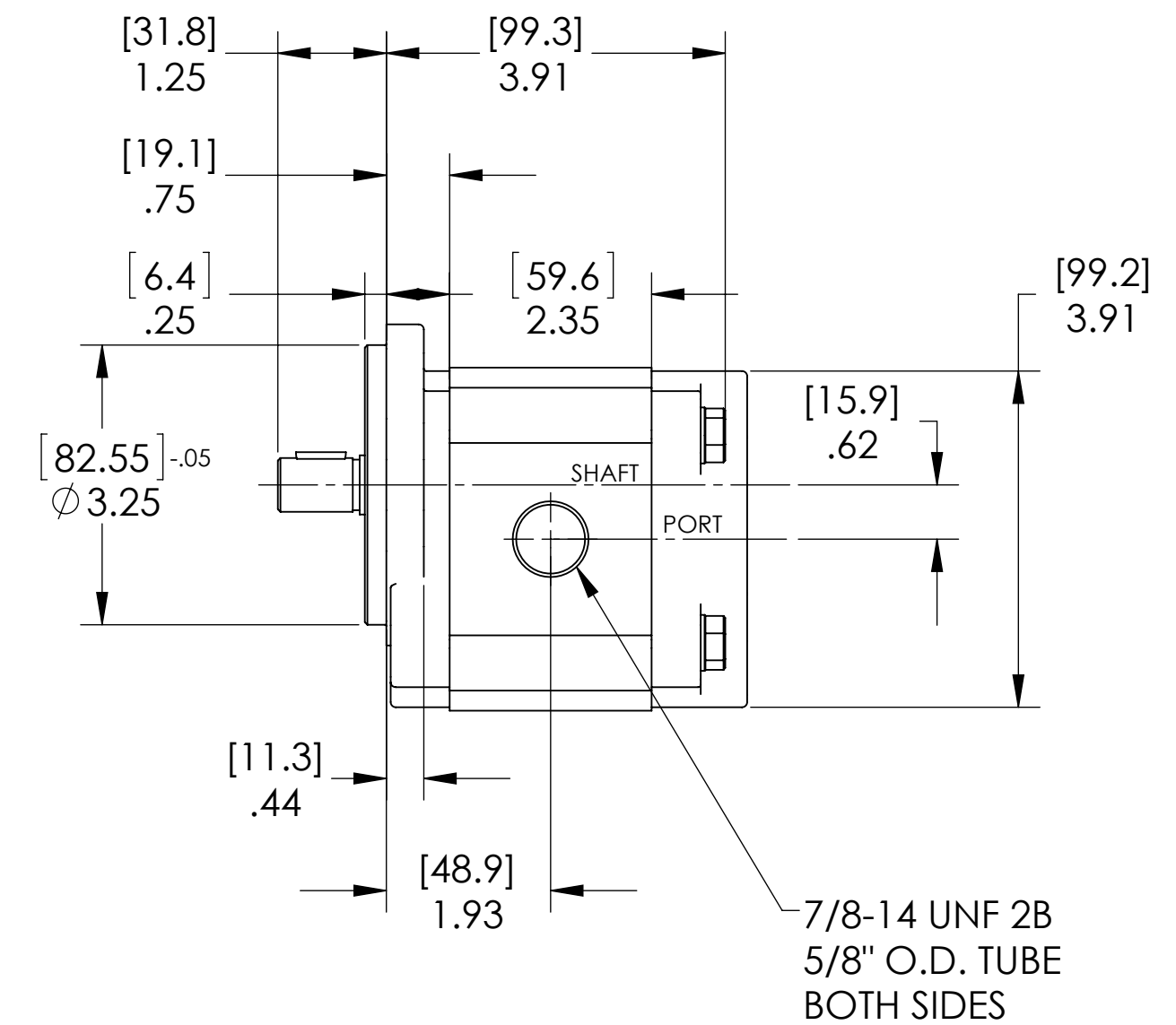
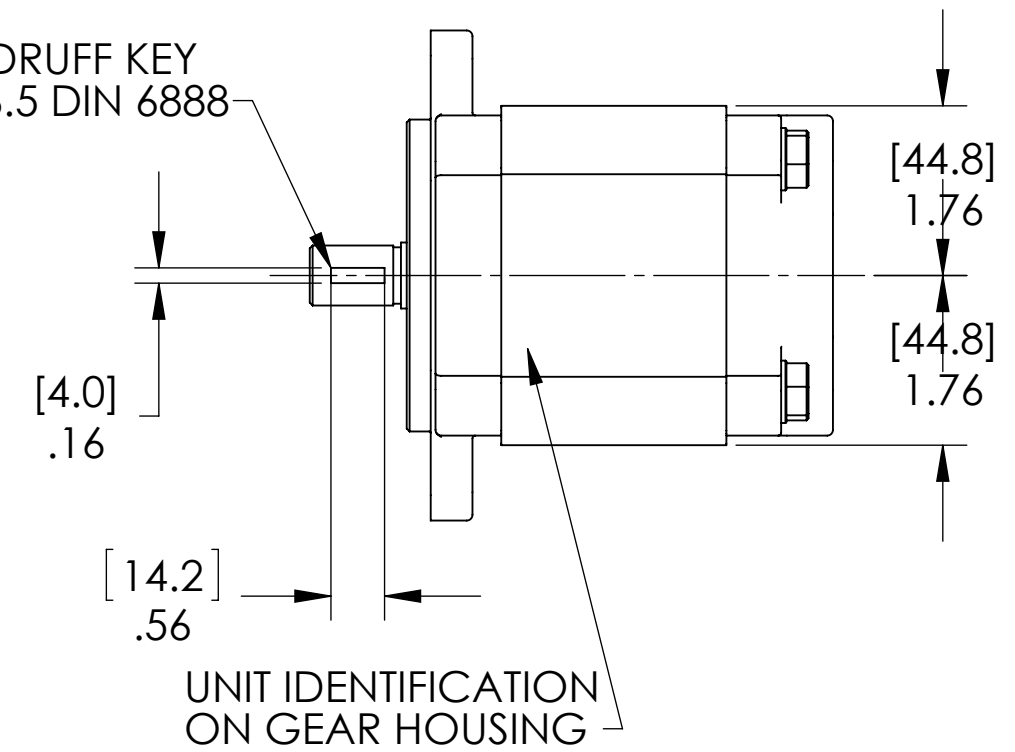
MOTOR DATA	
DISPLACEMENT	12.0 ccm
MAX. CON. PRES.	250 bar
SPEED RATE	500 TO 3500 min.
MAX. SHAFT SEAL PRESSURE	10 bar
ROTATION	BI - DIRECTIONAL

SEAL CHAN.	8301-016-0B9
SEAL CHAN.	8301-016-0AB
SEAL BK-UP	8301-015-006
SNAP RING	9211-323-00B
SEAL LIP VITON	8301-020-00M



VIEW OF SHAFT END

WOODRUFF KEY
4.0 X 6.5 DIN 6888



NOTE: THIS DRAWING OR PRINT, PROPERTY OF MP PUMPS INC. CONTAINS PROPRIETARY AND CONFIDENTIAL INFORMATION. IT SHALL BE USED ONLY AS APPROVED BY MP PUMPS AND SHALL NOT BE GIVEN TO OTHERS OR COPIED WITHOUT THE WRITTEN CONSENT OF MP PUMPS. RETURN TO MP PUMPS PROMPTLY WHEN REQUESTED.

G					UNLESS OTHERWISE NOTED THIRD ANGLE PROJECTION 2 PLACE DIM ± .020 3 PLACE DIM ± .010 ANGULAR DIM ± 1°	MP PUMPS, INC. FRASER, MICHIGAN 48026, U.S.A.						
F												
E						MATERIAL	DRAWN BY	DATE COMP.	APPROV.	SCALE	MADE FOR	MADE FROM
D						C.W.	10-18-12	D.D.	FULL			
C						DO NOT SCALE						
B						NAME	HYD. MOTOR					DRAWING NO
A					DESCRIPTION	DRAWN	DATE	EN				