

8 7 6 5 4 3 2 1

D

C

B

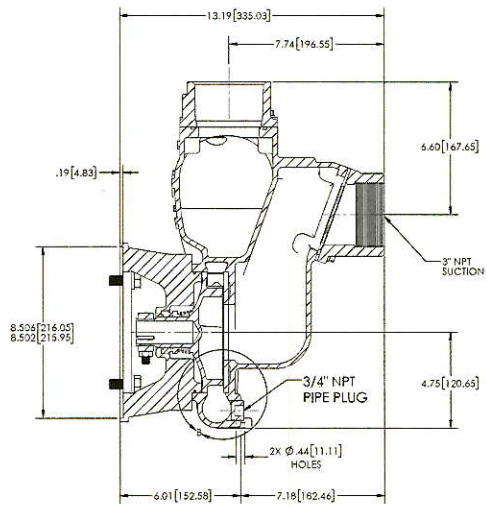
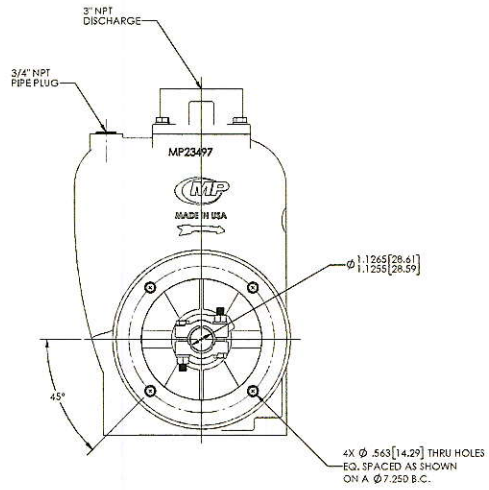
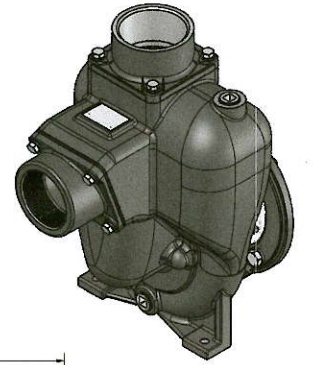
A

D

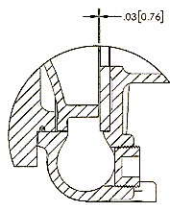
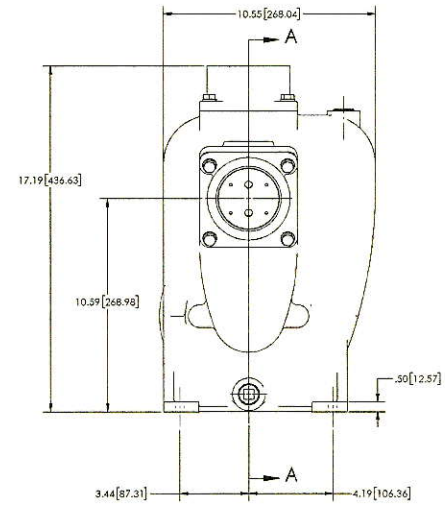
C

B

A



SECTION A-A



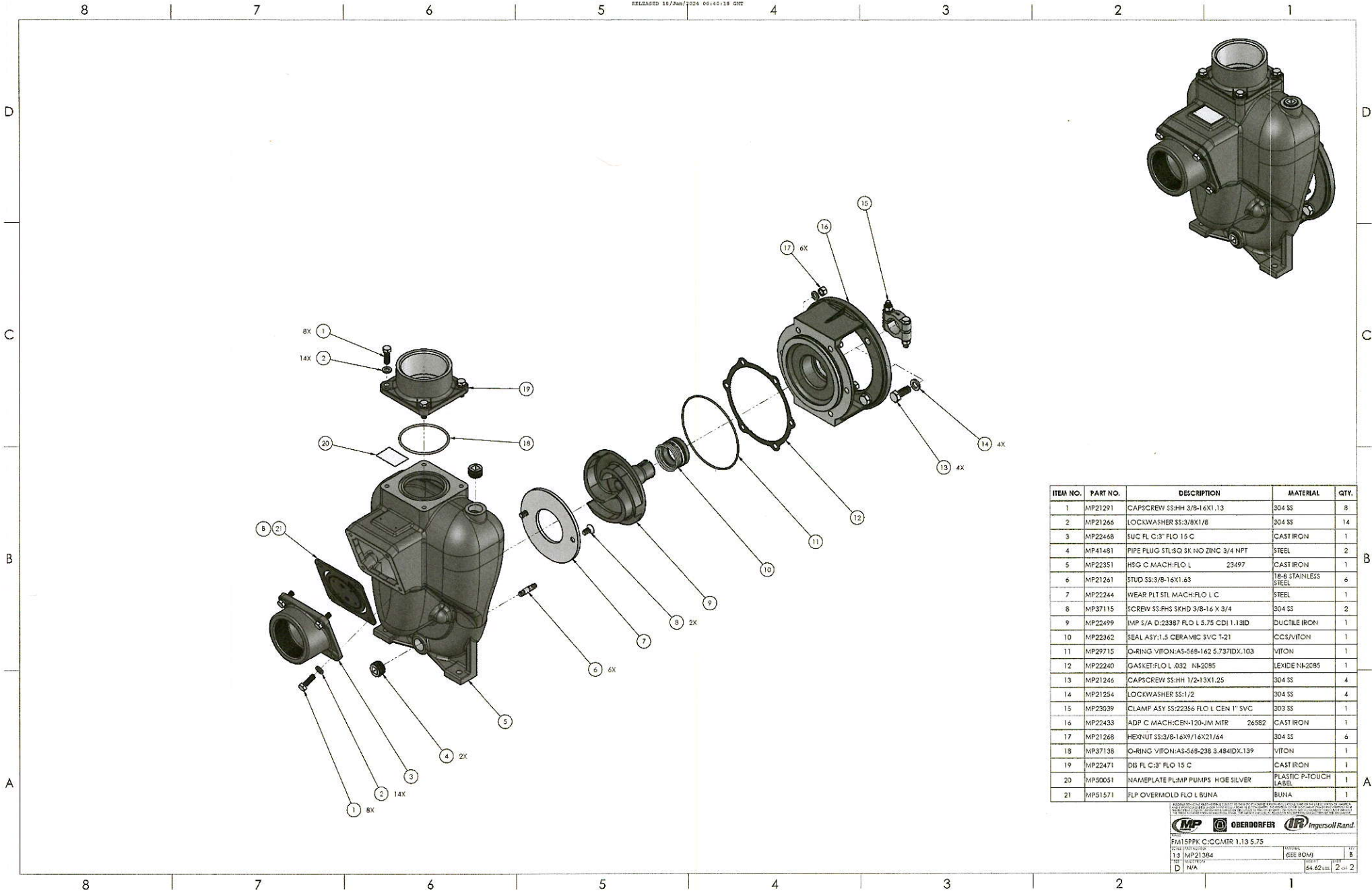
DETAIL B
SCALE 2:3

MP **OBERDORFER** **Ingersoll Rand**

DESIGNED BY	DATE	SCALE	REV
PROJECT NO.	BY	1:3	1
QUANTITY	DATE	D	1 of 2

FIM15PPK C:CCMTR 1.13 5.75
 I.S. MP21384
 REE BOMB

8 7 6 5 4 3 2 1



ITEM NO.	PART NO.	DESCRIPTION	MATERIAL	QTY.
1	MP21291	CAPSCREW SS3HH 3/8-16X1.13	304 SS	8
2	MP21266	LOCKWASHER SS-3/8X1/8	304 SS	14
3	MP22468	SUC FL C 3" FLO 15 C	CAST IRON	1
4	MP41481	PIPE PLUG STL SQ SK NO ZINC 3/4 NPT	STEEL	2
5	MP22351	HSG C MACH FLO L 23497	CAST IRON	1
6	MP21261	STUD SS-3/8-16X1.63	18-8 STAINLESS STEEL	6
7	MP22244	WEAR PLT STL MACH FLO L C	STEEL	1
8	MP37115	SCREW SS-FHS SKHD 3/8-16 X 3/4	304 SS	2
9	MP22499	IMP S/A D:23387 FLO L 5.75 CDI 1.1 BID	DUCTILE IRON	1
10	MP22362	SEAL ASY:1.5 CERAMIC SVC T-21	CCS/VITON	1
11	MP29715	O-RING VITON:AS-568-162 5.737IDX.103	VITON	1
12	MP22240	GASKET FLO L .032 N8-2085	LEXIDE N-2085	1
13	MP21246	CAPSCREW SS3HH 1/2-13X1.25	304 SS	4
14	MP21254	LOCKWASHER SS-1/2	304 SS	4
15	MP23039	CLAMP ASY SS:22356 FLO L CEN 1" SVC	303 SS	1
16	MP22433	ADP C MACH: CEN-120-JM MTR 26582	CAST IRON	1
17	MP21268	HEXNUT SS-3/8-16X9/16X21/64	304 SS	6
18	MP37138	O-RING VITON:AS-568-238 3.484IDX.139	VITON	1
19	MP22471	DS FL C 3" FLO 15 C	CAST IRON	1
20	MP50051	NAMEPLATE PLUMP PUMPS HGE SILVER	PLASTIC P-TOUCH LABEL	1
21	MP51571	FLP OVERMOLD FLO L BUNA	BUNA	1

FM15PPK C1CCMTR 1.13 5.75
 1.3 MP21394 (SEE BOM)
 D N/A 54 62105 2 of 2