

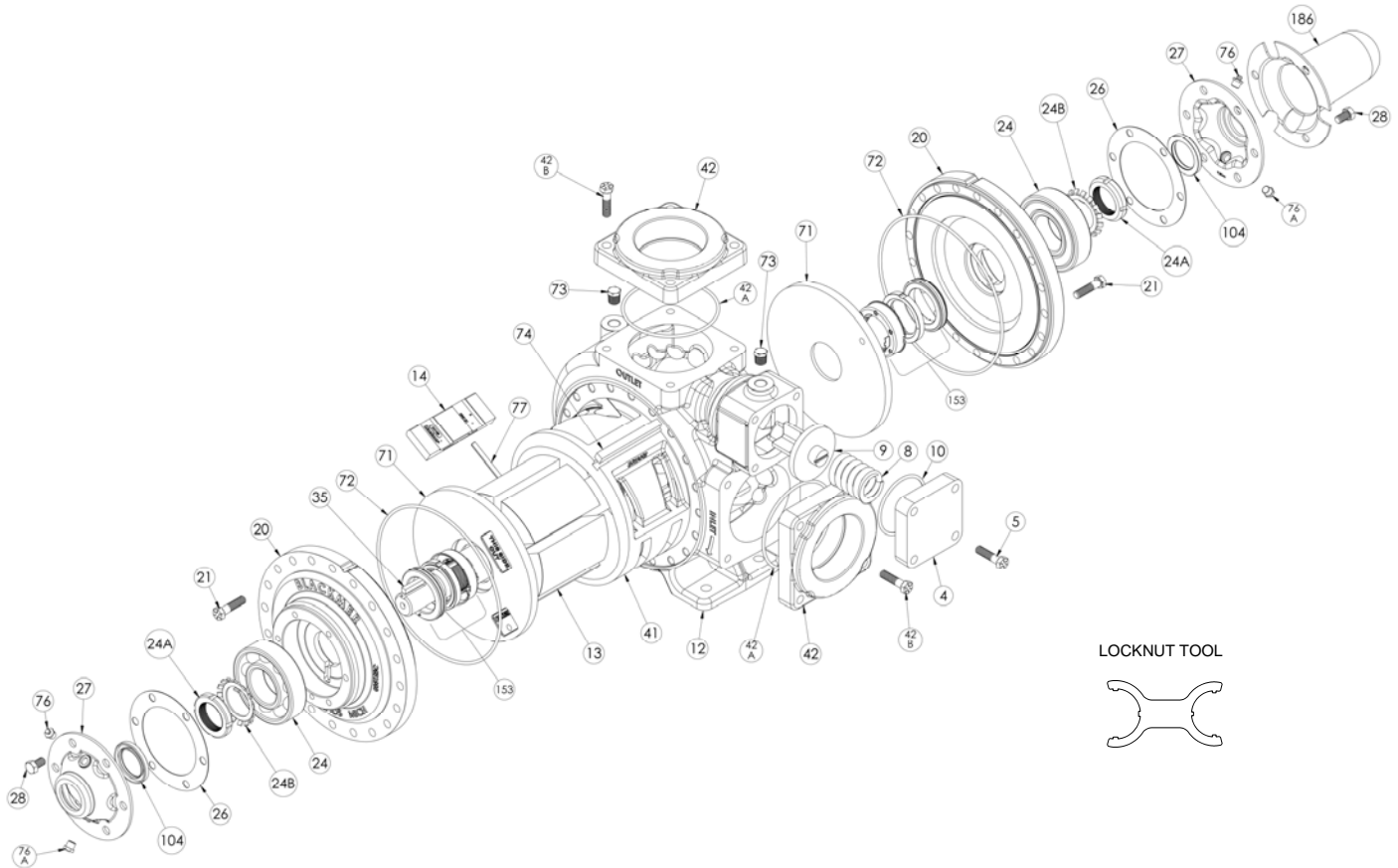
BLACKMER PARTS LIST

PUMP MODEL: LGL3021A

960440 **PARTS LIST**
Page 1 of 2 **501-L01**

Keep with 501-L00 Installation, Operation and Maintenance Instructions

Section 501
Effective Jan 2012
Replaces New



Ref. No.	Description	Parts Per Pump	Part No.	Ref. No.	Description	Parts Per Pump	Part No.
4	Cover - Relief Valve (R/V)	1	415115	41	Liner	1	² 185111
5	Capscrews - R/V Cover	4	920379	42	Flange – NPT 3"	2	655132
8	Spring - R/V	1	¹ 475135		Flange – NPT 4"		655133
9	Valve - R/V	1	455129	42A	O-Ring – 3" Flange	2	¹ 712245
10	O-Ring - R/V Cover	1	¹ 711941		O-Ring – 4" Flange		¹ 794126
12	Casing	1	015131	42B	Capscrew - NPT Flange	8	920379
13A	Rotor & Shaft Asy. (Includes Ref. Nos. 24A & 24B)	1	² 265190	71	Disc	2	¹ 065112
14	Vane - Duravane	6	¹ 095131	72	O-Ring - Head	2	¹ 702041
20	Head	2	035128	73	Gage Plug	2	908198
21	Capscrews - Head	40	920379	74	Key – Liner	1	² 185191
24	Ball Bearing	2	¹ 903166	76	Grease Fitting	2	317815
24A	Locknut - Bearing	2	² 903523	76A	Grease Relief Fitting	2	701992
24B	Lockwasher - Bearing	2	¹ 903524	77	Push Rod	3	¹ 125110
26	Gasket - Bearing Cover	2	¹ 385125	104	Grease Seal	2	¹ 331908
27	Bearing Cover	2	041815	186	Shaft Protector	1	341801
28	Capscrews - Bearing Cover	12	920285	—	Tool – Locknut	—	903091
35	Key – Shaft, 1/4" Square	1	¹ 909209	—	Kit – Maintenance	—	899195
				—	Kit – Rebuild	—	899095

¹ Included in Maintenance Kit and Rebuild Kit

² Included in Rebuild Kit

MECHANICAL SEAL

NH₃ OR DUAL SERVICE – SNCN (ID Code = QA)

Ref. No.	Part Name	Parts Per Pump	Part No.
153	Mechanical Seal Assembly	2	¹ 335225
153A	Stationary Seat (Steel)	2	**
153B	Seal Face (Carbon)	2	**
153C	Jacket Assembly	2	**
153D	O-Ring - Stationary (Buna-N)	2	702025
153E	O-Ring Rotating (Buna-N)	2	711912

¹ Included in Maintenance Kit and Rebuild Kit

** NOTE: Mechanical Seal Ref. No. 153 is only sold as a complete assembly.
Ref. Nos. 153A, 153B & 153C are not available as separate replacement parts.

