

Kingston Safety Valves

Kingston Model KSV10

Low Profile ASME Code Section VIII "UV" Safety Valve



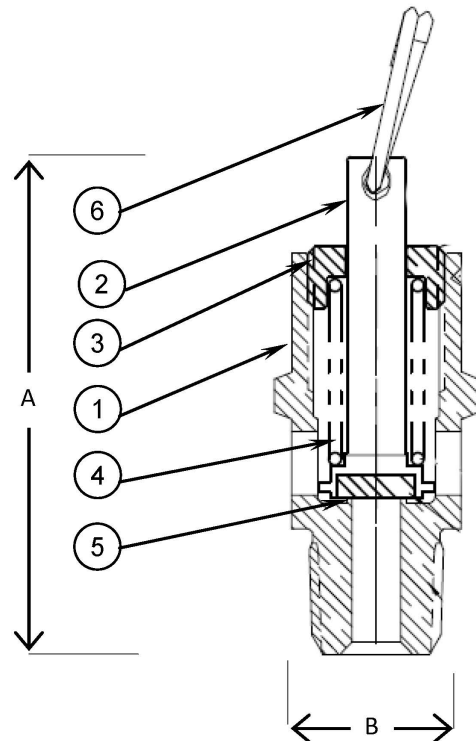
Features:

- Compact, space saving design for small air systems
- Precision machined ASTM B16 Brass Construction
- Silicone disc for superior soft seat performance
- Stainless steel spring
- National Board Capacity Certified, "NB" Stamped
- ASME B&PVC Sect. VIII "UV" Air/Gas applications
- Maximum temperature 250°F
- Sizes: 1/8" NPT and 1/4" NPT

Model	Available Sizes	Orifice	Figure/Part No.	Height (A)	Hex (B)	Pressure Range PSIG	Approximate Ship Weight	Max Temp
KSV10	1/8" NPT	.156	KSV10-1-000	1.59"	9/16"	50-275	0.9 oz	250°F
	1/4" NPT		KSV10-2-000				1.2 oz.	

Materials

No.	Part Name	Materials
1	Body	Brass (ASTM-B16)
2	Stem	Brass (ASTM-B16)
3	Adj. Screw	Brass (ASTM-B16)
4	Spring	Stainless Steel
5	Disc	Silicone
6	Pull Ring	Stainless Steel

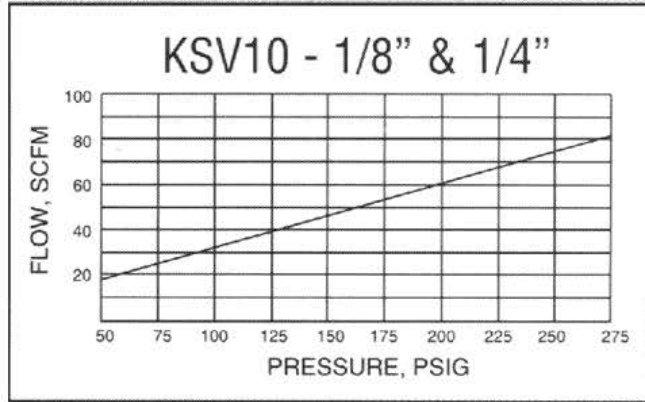


Storm Manufacturing Group
 23201 Normandie Ave., Torrance CA 90501-5050
 Toll Free: 866-628-8287 Fax: 800-997-0500 Direct: 310-326-8287

Copyright 2010 © Storm Manufacturing Group. All rights reserved. Product designs and specifications subject to change without notice. r.09a

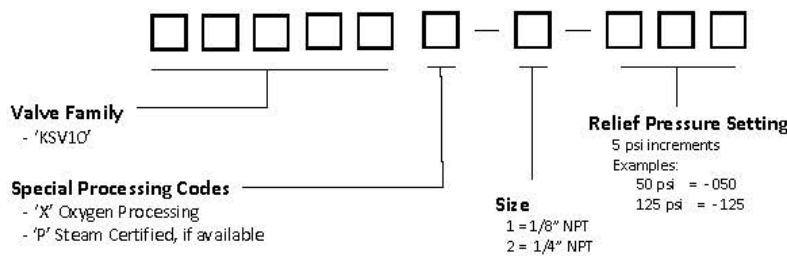
Kingston Model KSV10 Brass Low Profile High Flow Safety Valve

Flow Capacity Information



SET PRESSURE psi	STAMPED CFM		SET PRESSURE psi	STAMPED CFM	
	1/8"	1/4"		1/8"	1/4"
50	18	18	190	58	58
55	20	20	195	60	60
60	21	21	200	61	61
65	23	23	205	63	63
70	24	24	210	64	64
75	25	25	215	65	65
80	27	27	220	67	67
85	28	28	225	68	68
90	30	30	230	70	70
95	31	31	235	71	71
100	33	33	240	73	73
105	34	34	245	74	74
110	35	35	250	75	75
115	37	37	255	77	77
120	38	38	260	78	78
125	40	40	265	80	80
130	41	41	270	81	81
135	43	43	275	83	83
140	44	44			
145	45	45			
150	47	47			
155	48	48			
160	50	50			
165	51	51			
170	53	53			
175	54	54			
180	55	55			
185	57	57			

Ordering Information



Product Notes

All Kingston Safety Valves are manufactured under a quality control system accepted by the National Board of Boiler and Pressure Vessel Inspectors.

Code valves are capacity certified by the National Board, manufactured in accordance with ASME Code, set and sealed at the factory.

Set pressure can deviate from the marked by ± 2 psig at or below 70 psig set pressures and $\pm 3\%$ psig above 70 psig.

Factory standard seat tightness for soft seat valves: no audible leakage at 10% below nameplate set. It is normal for spring-operated safety valves to exhibit leakage or simmer/warn, as the system operating pressure approaches the set pressure. For soft seat valves this typically occurs at pressures at or above 90% of nameplate set pressure.

At very low set pressures (20 psi and below), the ratio of the downward spring force as compared to the upward pressure force is very small. In these cases it may be impossible to achieve seat tightness.

Soft seat valves will typically provide a higher degree of seat tightness than metal, hard seats. Factory standard seat tightness does not ensure bubble-tight seal regardless of material.

Final application design and integration of Kingston Products are the sole responsibility of the end user.

Storm Manufacturing reserves all rights. Product specifications and designs are subject to change without notice.



Storm Manufacturing Group
 23201 Normandie Ave., Torrance CA 90501-5050
 Toll Free: 866-628-8287 Fax: 800-997-0500 Direct: 310-326-8287

Copyright 2010 © Storm Manufacturing Group. All rights reserved. Product designs and specifications subject to change without notice. r.09a