

INSTALLATION & SERVICE INFORMATION

MOUNTING

Flojet's 2130 electric carbonator pump is a self-priming pump. If the pump is vertically mounted, the pump motor must be on top. This is to prevent water from entering the motor chamber in the event of a leak. If mounted horizontally, the pump head may be rotated in 90° increments to simplify plumbing. It is best to mount pump as close as possible to the carbonator tank. A back flow preventer or check valve should be installed in the pump discharge line or the inlet to the carbonator tank.

PLUMBING

For best performance, flexible hose is recommended instead of rigid piping at the pump. Plastic fittings are recommended to prevent damage to inlet or discharge ports. Metal fittings, if over tightened, may cause pump head to fracture.

A water regulator is recommended in the inlet line to control pressure to a MAXIMUM of 30 PSI (2 BAR). The regulator should be installed as far as possible from the pump or a MINIMUM of 36 inches (.9 m) of tubing. This allows for dampening of possible hydraulic "hammer".

To further reduce the possibility of hydraulic "hammer", it is recommended to install a PULSATION DAMPNER in the inlet water line.

The model 2130 (high pressure) carbonator pump is

designed to operate effectively at pressures up to 125 PSI (8.6 BAR) with a flow rate of .32 GPM (1.2 LPM). The model 2130 (low pressure) carbonator pump is designed to operate effectively at pressures up to 80 PSI (5.6 BAR) with a flow rate of .42 GPM (1.6 LPM). The pump is equipped with an integral bypass to protect against excessive pressure in the event of a system malfunction, causing the pump to operate against a closed discharge. In the event the pump does operate against a closed discharge, for an excessive amount of time, the thermally protected motor will shut down by itself if overheating occurs, and will start again when the pump motor has cooled to operating temperature.

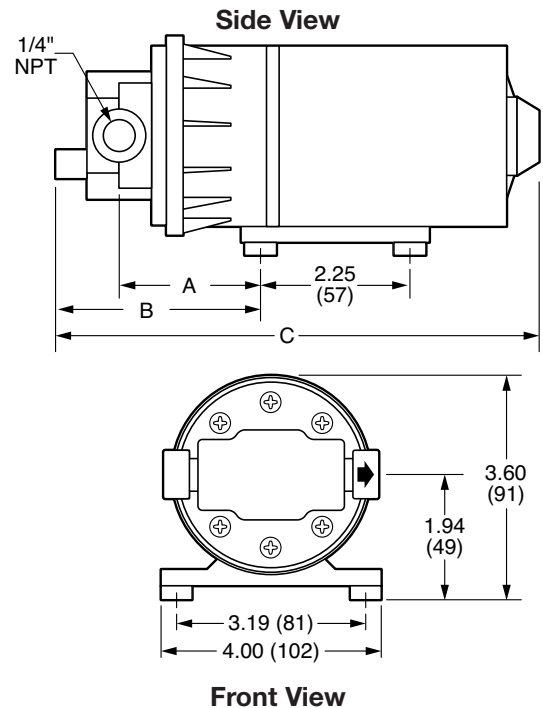
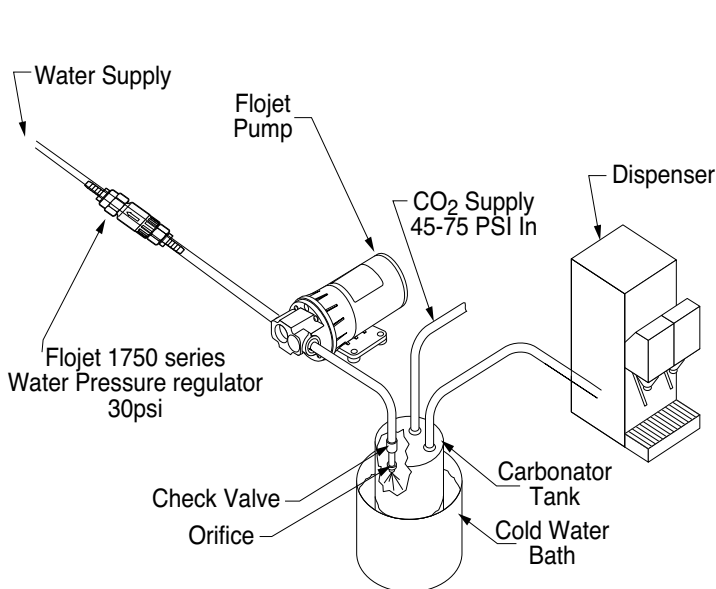
ELECTRICAL

For 100, 115 and 230 volt AC pumps, connect black wire from motor to black power lead and connect white wire to white return lead. Next, connect the green (ground) wire to ground lead.

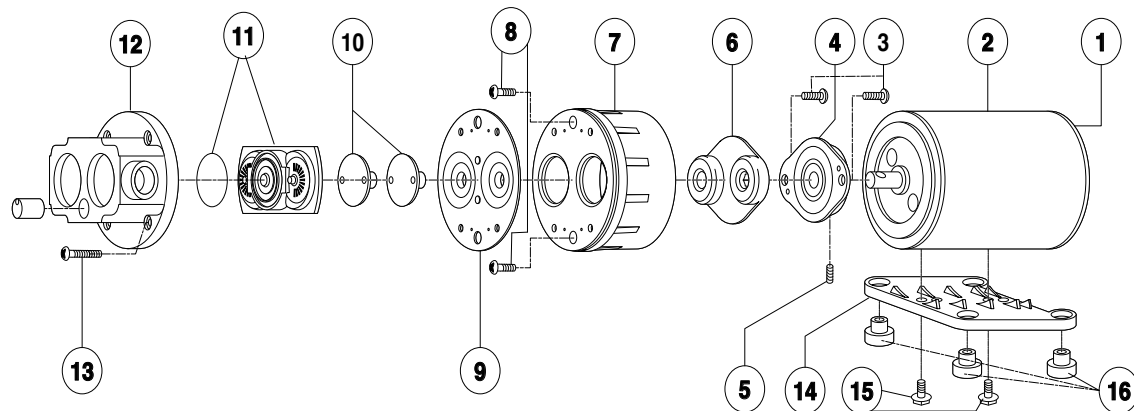
OPERATION

Allow pump to prime without back pressure at the outlet to avoid an air lock. Once pump has primed, it is ready for normal operation. Because there is no built-in pressure switch to turn off pump, a remote switch must be used to shut down pump when desired. Additionally, on initial start up the carbonator tank may need to be vented to reduce excessive pump-up pressure and fill time.

TYPICAL CARBONATOR PUMP INSTALLATION



PARTS LIST MODEL 2130 SERIES



KEY	DESCRIPTION
1	Endbell / Brush Assy
2	Motor
3	Cam / Bearing Piston Screws
4	Cam / Bearing Assy
5	Cam / Bearing Set Screw
6	Outer Pistons
7	Bearing Cover
8	Bearing Cover Screws

KEY	DESCRIPTION
9	Diaphragm
10	Inner Pistons
11	Valve Chamber Assy
12	Upper Pump Head Assy
13	Upper Pump Head Screws
14	Base Plate
15	Base Plate Screws
16	Grommets

TROUBLE SHOOTING

Motor operates, but fails to prime:

- Restricted intake or discharge line. Air leak in intake line.
- Punctured pump diaphragm.
- Defective pump check valve.
- Crack in pump housing.
- Debris in check valves.

Motor fails to turn on:

- Pump or equipment not plugged in electrically.
- Loose wiring connection.
- Defective motor or rectifier.
- Frozen cam/bearing.
- Faulty carbonator tank level switch.

Pump fails to turn off when carbonator tank is filled:

- Faulty carbonator tank level switch.
- No carbonator tank level switch installed and/or connected to pump.

Low flow and pressure:

- Air leak at pump intake.
- Accumulation of debris inside pump and plumbing.
- Worn pump bearing (excessive noise).
- Punctured pump diaphragm.
- Defective rectifier or motor.
- Insufficient voltage to pump.
- Defective bypass.

LIMITED WARRANTY

FLOJET warrants this product to be free of defects in material and/or workmanship for a period of one year after purchase by the customer from FLOJET. During this one year period, FLOJET will at its option, at no charge to the customer, repair or replace this product with a new or reconditioned product, but not remove or install, in the event that it is found to be defective in material and/or workmanship.

This Limited Warranty does not include service to diagnose a claimed malfunction in this product at any location other than at Flojet's corporate head-quarters, nor to repair damage due to improper installation, incompatibility with accessories not manufactured by FLOJET, external electrical fault, accident, or misuse.

All other express and implied warranties for this product including the warranties of merchantability and fitness for a particular purpose, are hereby disclaimed. The product covered by this warranty is marketed and sold by FLOJET as a business rather than consumer product. (Some jurisdictions do not allow the exclusion of implied warranties nor limitations on how long an implied warranty lasts, so the above limitations may not apply to you.)

If this product is not free of defect as warranted above, your sole and exclusive remedy shall be repair or replacement as provided herein. In no event will FLOJET be liable to customer or to any third party for any damages in excess of the purchase price of the product. This limitation applies to damages of any kind including any direct or indirect damages, lost profits, lost investment capital or savings, or other special, incidental, tort or otherwise, or whether arising out of the use or inability to use such product even if FLOJET has been advised of the possibility of such damages or of any claim by any other party. (Some jurisdictions do not allow the exclusion or limitation of incidental or consequential damages for some products, so the above limitations or exclusions may not apply to you.)

This warranty gives you specific legal rights. You may also have other rights which may vary from jurisdiction to jurisdiction.

www.flojet.com

U.S.A.	UNITED KINGDOM
Flojet	Flojet
17942 Cowan Avenue	Bingley Road, Hoddesdon
Irvine, CA 92614	Hertfordshire EN11 OBU
Phone: 949.608.3900	Tel: +44 (0) 1992 450145
Fax: 949.608.3887	Fax: +44 (0) 1992 467132

FLOJET
a xylem brand