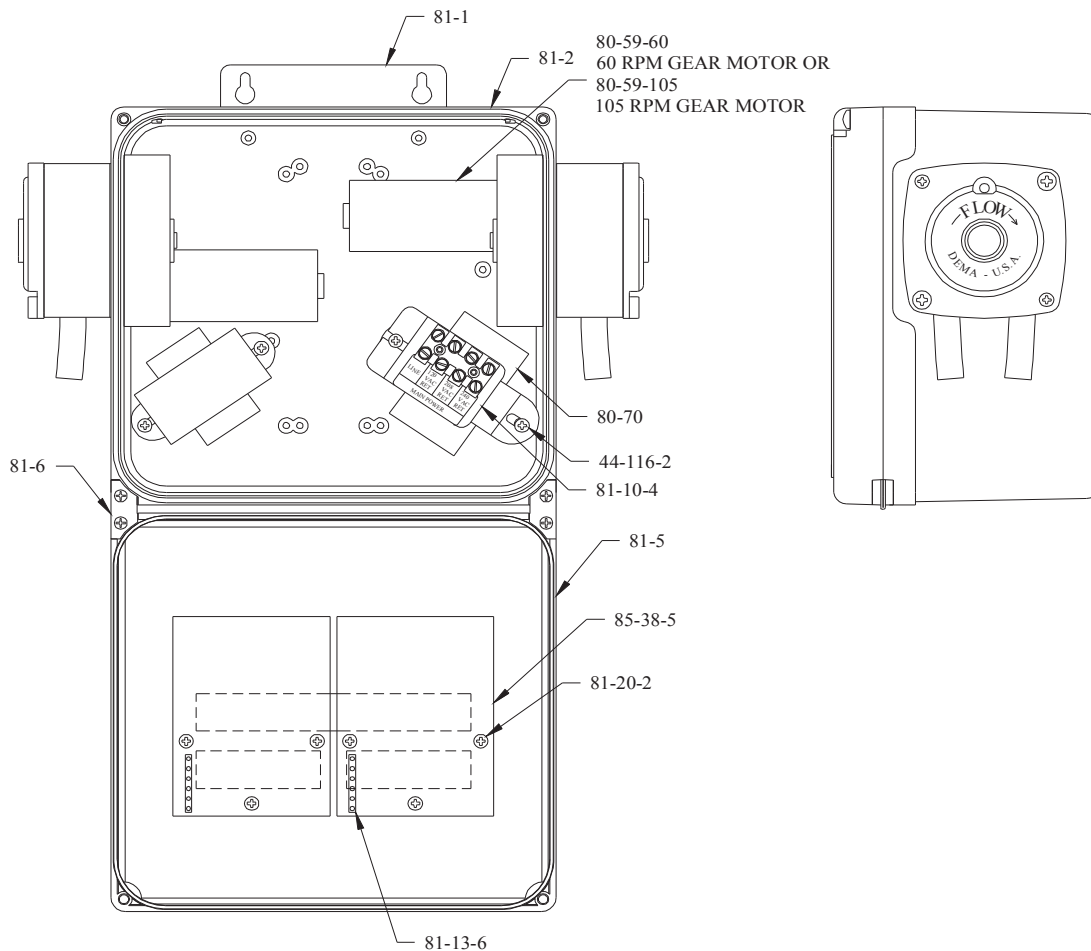


Dema 831 Laundry Master™



Part Number	Description
81-1	Mounting Bracket Kit
81-6	Hinge and Screw Kit
25-68-20	20 ft 1/4" O.D. LDPE Tubing (used on C2 Pump)
25-68-40	40 ft 1/4" O.D. LDPE Tubing (used on C2 Pump)
25-68-60	60 ft 1/4" O.D. LDPE Tubing (used on C2 Pump)
25-68-80	80 ft 1/4" O.D. LDPE Tubing (used on C2 Pump)
25-68-100	100 ft 1/4" O.D. LDPE Tubing (used on C2 Pump)
25-68-120	120 ft 1/4" O.D. LDPE Tubing (used on C2 Pump)
25-115	20 ft 3/8" O.D. LDPE Tubing (used on C4 Pump)
25-115-40	40 ft 3/8" O.D. LDPE Tubing (used on C4 Pump)
25-115-60	60 ft 3/8" O.D. LDPE Tubing (used on C4 Pump)
25-115-80	80 ft 3/8" O.D. LDPE Tubing (used on C4 Pump)
25-115-100	100 ft 3/8" O.D. LDPE Tubing (used on C4 Pump)
25-115-120	120 ft 3/8" O.D. LDPE Tubing (used on C4 Pump)
80-66	10" PVC Pick Up Tube (used with 1/4" LDPE tubing)
80-66-2	18" PVC Pick Up Tube (used with 1/4" LDPE tubing)
81-2	Laundry Master box with gasket and threaded inserts
81-5	Laundry Master box lid with captive screws
80-70	Transformer (40VA)
81-10-4	Terminal Block and Bracket Assy
44-116-2	#8 X 3/8" Hi-Lo Screw (used for mounting transformer)
85-38-5	Single Product Laundry Control Board (circuit board)
81-20-2	#4 Hi-Lo Screw (used for mounting circuit board)
81-13-6	Modular 6 Pole Terminal Block (used on circuit board)
80-59-60MK	60 RPM Gear/Motor
80-59-105MK	105 RPM Gear/Motor