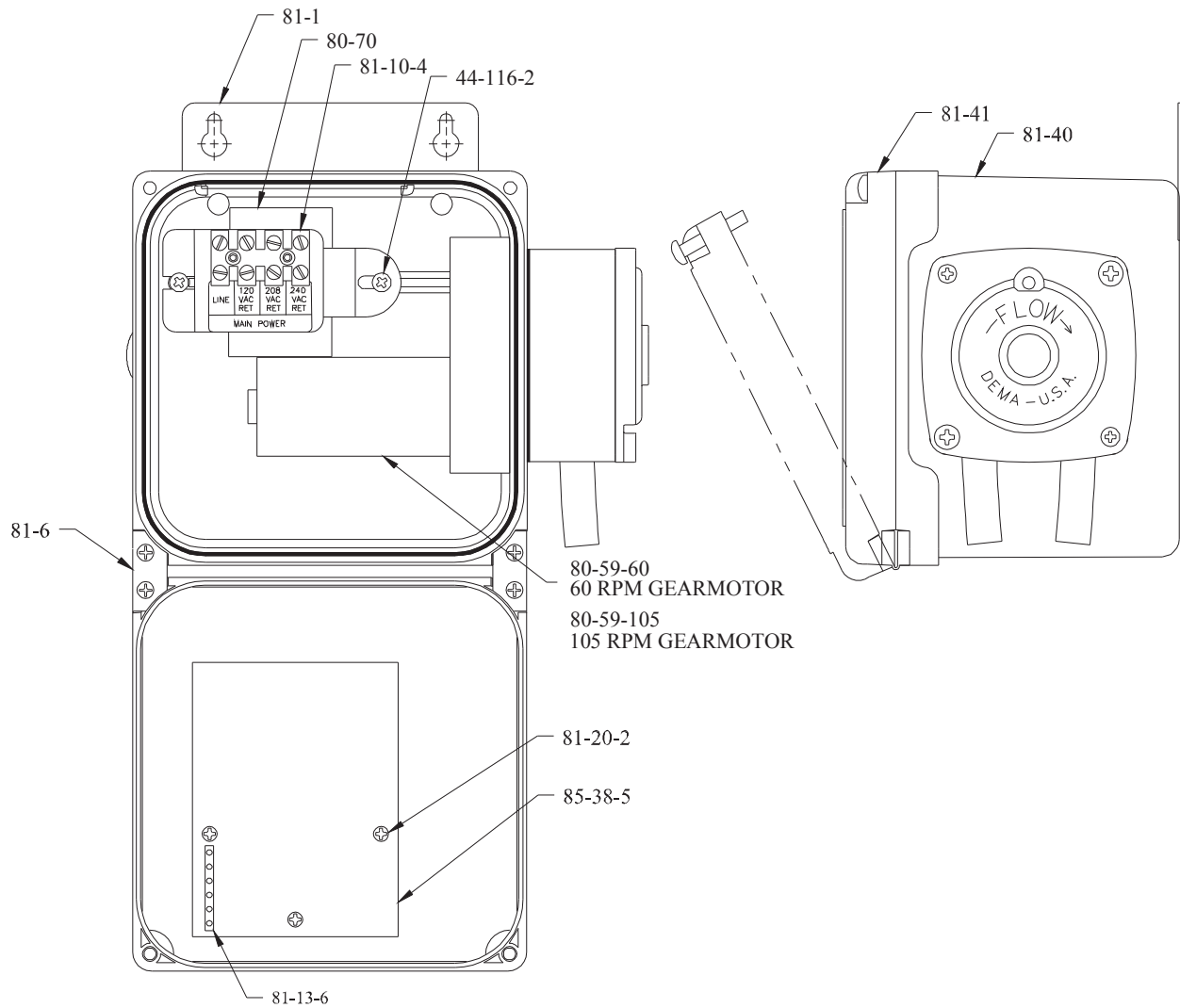


DEMA 830 Laundry Master™



DEMA Part Number	Description
81-40	Laundry Master box with gasket and threaded inserts
81-41	Laundry Master box lid with captive screws
80-70	Transformer (40VA)
81-10-4	Terminal Block and Bracket Assy
44-116-2	#8 X 3/8" Hi-Lo Screw (used for mounting transformer)
85-38-5	Single Product Laundry Control Board (circuit board)
81-20-2	#4 Hi-Lo Screw (used for mounting circuit board)
81-13-6	Modular 6 Pole Terminal Block (used on circuit board)
80-59-60	60 RPM Gear/Motor
80-59-105	105 RPM Gear/Motor
81-35	Fuse Holder
81-34-16	Fuse 1A 250V
81-36-2	Wire Nut
81-32-1	Black Cable Assembly (motor hook up)
81-32-2	Red Cable Assembly (motor hook up)
81-6	Hinge and Screw Kit
81-1	Mounting Bracket Kit