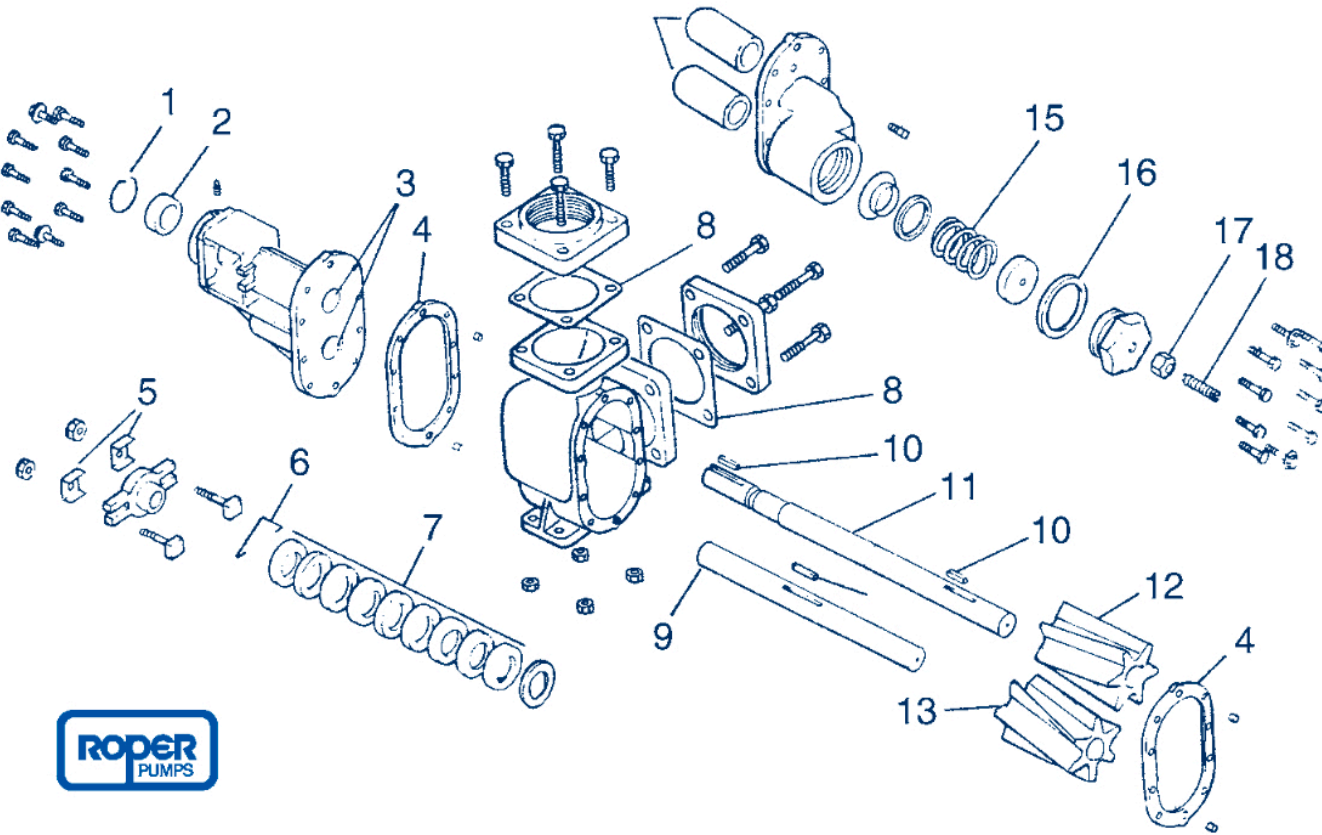




Roper Pump Repair Kits

Featuring "Genuine" Roper Parts!!



STANDARD FITTED KITS INCLUDE THE FOLLOWING:

- | | |
|--------------------------------------|----------------------------------|
| 1. Retaining ring | 10. Keys |
| 2. Ball Bearing | 11. Drive Shaft |
| 3. Bronze Bushings (1 long, 1 short) | 12. Left Hand Gear |
| 4. Case Gaskets | 13. Right Hand Gear |
| 5. Gland Clip | 14. Bronze Bushings (2 long) |
| 6. Spring Clip | 15. Relief Valve Spring |
| 7. PTFE/Graphite Packing | 16. Relief Valve Gasket |
| 8. Flange Gaskets | 17. Relief Valve Nut |
| 9. Idler Shaft | 18. Relief Valve Adjusting Screw |

OPTIONS AVAILABLE

- Carbon Bushings
- Iron Bushings
- PTFE Bushings
- Hi Pressure Relief Valve Sprint
- Stainless Shafts

Complete Rebuild Kits for Roper 3611, 3617 or 3622 Gear Pumps. Kits include all major parts required to rebuild your pump. Only "Genuine" Roper parts are used. Standard with bronze bushings and steel shafts.

Part No.

- | | |
|-------------------|--------------------------|
| RR N44-188 | Repair Kit for 3611 Pump |
| RR N44-172 | Repair Kit for 3617 Pump |
| RR N44-133 | Repair Kit for 3622 Pump |

Note: Carbon, Iron or PTFE bushings or Stainless Shafts are available at added cost.