



## TMSRV305

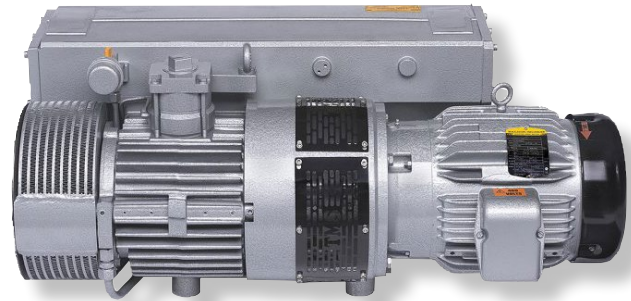
The **TMSRV305** vacuum pump is a workhorse in the mid-level CFM range. It's designed to footprint with the Busch RA0305 model and TMS parts are interchangeable with Busch. Innovative, state-of-the-art quickchange coupling eliminates the need to remove the motor to change the coupler element. This product line is not intended to transfer fluids – air/gases only. *TMS offers an exchange program for the Busch RA0305. Call Today for more details.*

### Features:

- Max CFM: 212
- HP: 10
- Billet Aluminum vs Cast Aluminum for the Dam Wall (reduces metal fatigue)
- Metal Oil Lines and Fittings vs Plastic
- One-piece lip seal cartridge vs two-piece design
- Rotors made from solid USA Cast Steel (longer life/better balance)

### Technical Specs:

- Motor: 230/460V, 3PH, TEFC, 10HP
  - Power Consumption at 75 Torr: 9.6HP
  - Power Consumption at Ultimate Pressure: 6.8HP
  - Motor Speed: 1800RPM
  - Sound Level (ISO 2151): 76 dB(A)
  - Oil Capacity: 7 Qts.
  - Dry Weight: 520 lbs.
  - Dimensions (L x W x H): 43 1/8" x 23 1/4" x 16 1/2"
  - Gas/Air Inlet: 2" FPT \*Optional 90 Degree Hose Barb Elbows Available
- \* Performance Data based on ambient conditions of 14.7PSIA and 70°F and tolerance of ±10%. .0375 Torr with standard gas-ballast valve open.*



Part No.	Description
TM SRV305	RV305 Vacuum Pump, 15HP, 2IN FPT Ports

## TMSRV630

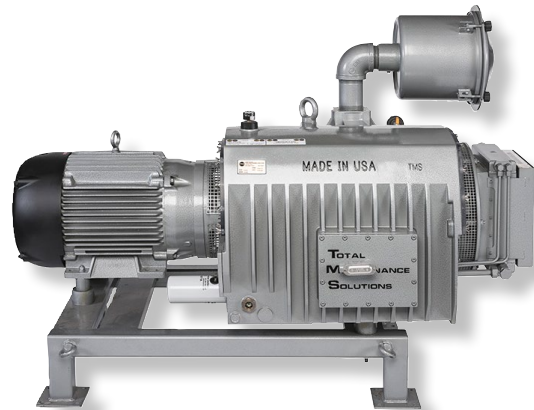
The **TMSRV630** vacuum pump is a workhorse in the high-level CFM range. It's designed to footprint with the Busch RA0630 model and TMS parts are interchangeable with Busch. Innovative, state-of-the-art quickchange coupling eliminates the need to remove the motor to change the coupler element. This product line is not intended to transfer fluids – air/gases only. *TMS offers an exchange program for the Busch RA0630. Call Today for more details.*

### Features:

- Max CFM: 455
- HP: 25
- Billet Aluminum vs Cast Aluminum for the Dam Wall (reduces metal fatigue)
- Metal Oil Lines and Fittings vs Plastic
- One-piece lip seal cartridge vs two-piece design
- Rotors made from solid USA Cast Steel (longer life/better balance)

### Technical Specs:

- Motor: 230/460V, 3PH, TEFC, 25HP
  - Power Consumption at 75 Torr: 20HP
  - Power Consumption at Ultimate Pressure: 10.7HP
  - Motor Speed: 1150RPM
  - Sound Level (ISO 2151): 79 dB(A)
  - Oil Capacity: 16 Qts.
  - Dry Weight: 1527 lbs.
  - Dimensions (L x W x H): 69 1/4" x 41" x 28 1/2"
  - Gas/Air Inlet: 3" FPT \*Optional 90 Degree Hose Barb Elbows Available
- \* Performance Data based on ambient conditions of 14.7PSIA and 70°F and tolerance of ±10%. .0375 Torr with standard gas-ballast valve open.*



Part No.	Description
TM SRV630	RV630 Vacuum Pump, 25HP, 3IN FPT Ports

## TMSRL1000

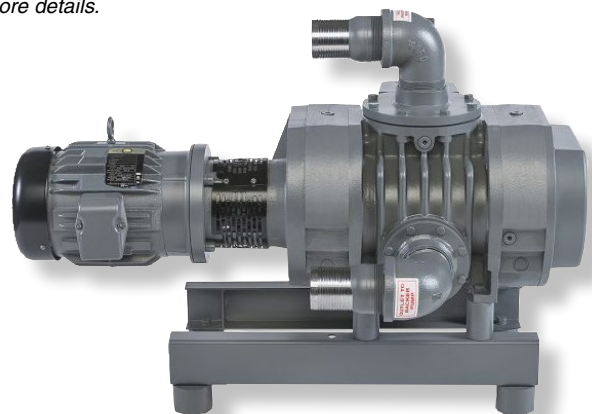
The **TMSRL1000** rotary lobe vacuum booster pump is a workhorse in the high-level CFM range. It's designed to footprint with the Busch WV-1000 model and TMS parts are interchangeable with Busch. Innovative, state-of-the-art quick-change coupling eliminates the need to remove the motor to change the coupler element. No more lubricating the shaft seal with oil cup required. This product line is not intended to transfer fluids – air/ gases only. *TMS offers an exchange program for the Busch WV-1000. Call Today for more details.*

### Features:

- Max CFM: 765
- HP: 5
- Billet Aluminum vs Cast Aluminum for the Dam Wall (reduces metal fatigue)
- Metal Oil Lines and Fittings vs Plastic
- One-piece lip seal cartridge vs two-piece design
- Rotors made from solid USA Cast Steel (longer life/better balance)

### Technical Specs:

- Motor: 230/460V, 3PH, TEFC, 5HP
  - Max Differential Pressure: 32 Torr
  - Motor Speed: 3600RPM
  - Oil Capacity: 3.2 Qts.
  - Dry Weight: 520 lbs.
  - Dimensions (L x W x H): 42 1/2" x 19 5/16" x 15 7/8"
  - Inlet/Outlet: 4" ANSI Flange \*Optional 90 Degree Hose Barb Elbows Available
- \* Performance Data based on ambient conditions of 14.7PSIA and 70°F and tolerance of ±10%.*



Part No.	Description
TM SRL1000	RL1000 Blower, 5HP, 4IN ANSI Flange Ports