



TMSRV165

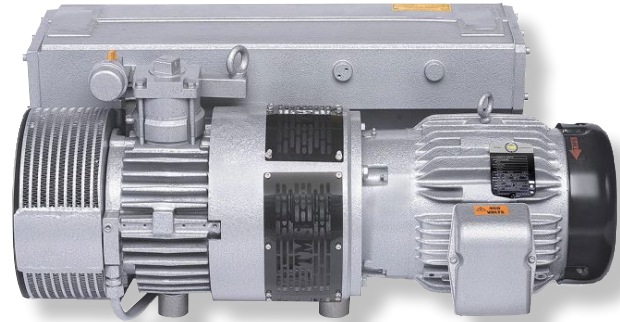
The **TMSRV165** vacuum pump is a workhorse in the lower-level CFM range. It's designed to footprint with the Busch RA0165 model and TMS parts are interchangeable with Busch. Innovative, state-of-the-art quick-change coupling eliminates the need to remove the motor to change the coupler element. This product line is not intended to transfer fluids – air/gases only. *TMS offers an exchange program for the Busch RA0165. Call Today for more details.*

Features:

- Max CFM: 112
- HP: 7.5
- Metal Oil Lines and Fittings vs Plastic
- Billet Aluminum Motor Adapter vs Cast Aluminum (reduces oxidation)
- One-piece lip seal cartridge vs two-piece design

Technical Specs:

- Motor: 230/460V, 3PH, TEFC, 7.5HP
 - Power Consumption at 75 Torr: 6.3HP
 - Power Consumption at Ultimate Pressure: 3.9HP
 - Motor Speed: 1800RPM
 - Sound Level (ISO 2151): 72 dB(A)
 - Oil Capacity: 7 Qts.
 - Dry Weight: 435 lbs.
 - Dimensions (L x W x H): 40" x 23 1/4" x 16 1/8"
 - Gas/Air Inlet: 2" FPT *Optional 90 Degree Hose Barb Elbows Available
- * Performance Data based on ambient conditions of 14.7PSIA and 70°F and tolerance of ±10%. .0375 Torr with standard gas-ballast valve open.



Part No.	Description
TM SRV165	RV165 Vacuum Pump, 7.5HP, 2IN FPT Ports

TMSRV205

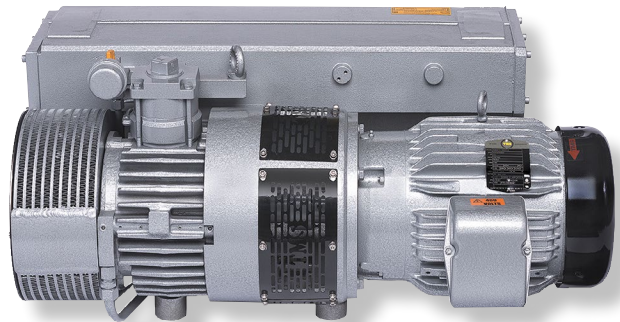
The **TMSRV205** vacuum pump is a workhorse in the lower-level CFM range. It's designed to footprint with the Busch RA0205 model and TMS parts are interchangeable with Busch. Innovative, state-of-the-art quickchange coupling eliminates the need to remove the motor to change the coupler element. This product line is not intended to transfer fluids – air/gases only. *TMS offers an exchange program for the Busch RA0205. Call Today for more details.*

Features:

- Max CFM: 141
- HP: 7.5
- Billet Aluminum vs Cast Aluminum for the Dam Wall (reduces metal fatigue)
- Metal Oil Lines and Fittings vs Plastic
- One-piece lip seal cartridge vs two-piece design
- Rotors made from solid USA Cast Steel (longer life/better balance)

Technical Specs:

- Motor: 230/460V, 3PH, TEFC, 7.5HP
 - Power Consumption at 75 Torr: 7HP
 - Power Consumption at Ultimate Pressure: 5.4HP
 - Motor Speed: 1800RPM
 - Sound Level (ISO 2151): 74 dB(A)
 - Oil Capacity: 7 Qts.
 - Dry Weight: 435 lbs.
 - Dimensions (L x W x H): 40" x 23 1/4" x 16 1/8"
 - Gas/Air Inlet: 2" FPT *Optional 90 Degree Hose Barb Elbows Available
- * Performance Data based on ambient conditions of 14.7PSIA and 70°F and tolerance of ±10%. .0375 Torr with standard gas-ballast valve open.



Part No.	Description
TM SRV205	RV205 Vacuum Pump, 7.5HP, 2IN FPT Ports

TMSRV255

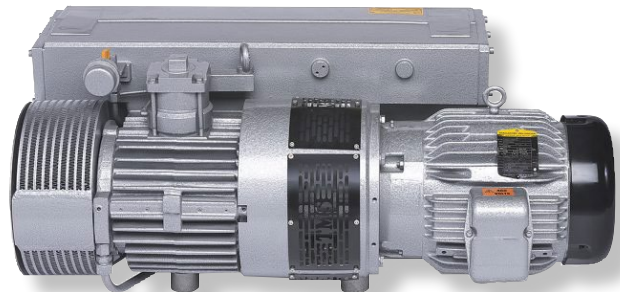
The **TMSRV255** vacuum pump is a workhorse in the lower-level CFM range. It's designed to footprint with the Busch RA0255 model and TMS parts are interchangeable with Busch. Innovative, state-of-the-art quickchange coupling eliminates the need to remove the motor to change the coupler element. This product line is not intended to transfer fluids – air/gases only. *TMS offers an exchange program for the Busch RA0255. Call Today for more details.*

Features:

- Max CFM: 177
- HP: 10
- Billet Aluminum vs Cast Aluminum for the Dam Wall (reduces metal fatigue)
- Metal Oil Lines and Fittings vs Plastic
- One-piece lip seal cartridge vs two-piece design
- Rotors made from solid USA Cast Steel (longer life/better balance)

Technical Specs:

- Motor: 230/460V, 3PH, TEFC, 10HP
 - Power Consumption at 75 Torr: 8.8HP
 - Power Consumption at Ultimate Pressure: 6HP
 - Motor Speed: 1800RPM
 - Sound Level (ISO 2151): 74 dB(A)
 - Oil Capacity: 7 Qts.
 - Dry Weight: 520 lbs.
 - Dimensions (L x W x H): 43 1/8" x 23 1/4" x 16 1/2"
 - Gas/Air Inlet: 2" FPT *Optional 90 Degree Hose Barb Elbows Available
- * Performance Data based on ambient conditions of 14.7PSIA and 70°F and tolerance of ±10%. .0375 Torr with standard gas-ballast valve open.



Part No.	Description
TM SRV255	RV255 Vacuum Pump, 10HP, 2IN FPT Ports