

mosmatic Wand Holders

Wand Holders from *Mosmatic*. High quality, polished stainless steel construction with Swiss Engineering. Available in rigid floor mount, spring floor mount and rigid dual floor mount styles. Weep connections are standard on all models for draining. Tube diameter is 2" O.D.



29083
Wall Mount



29097 is a **single spring style floor mount** holder for one wand. Built in spring at the bottom of the pipe. Length is 27-3/4".

29083 is a **single rigid style wall mount** holder for one wand. Length is 29".

29124 is a **double rigid style wall mount** holder for two wands. Length is 29".

29099 bracket is used to convert any of the models above to a wall mount holder.



29124

29097
Single Spring Floor

29099
Wall Bracket
Converts Floor Spring Wand to Wall Mount.

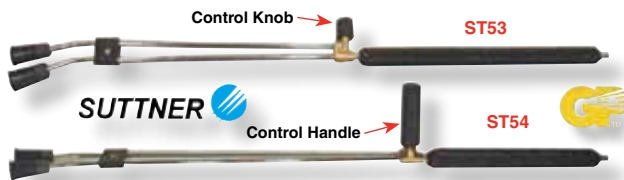
Part No.	Type	Length	Wt.
MM 29097	Single Spring Floor	27-3/4"	7 lbs.
MM 29083	Single Wall Mount, Rigid	29"	5 lbs.
MM 29124	Dual Rigid Floor	29"	9 lbs.
MM 29099	Conversion Bracket.....		1 lb.

Double Barrel Extensions

Double Barrel Wand Extensions designed to be used with chemical injectors for downstream chemical injection. Side handle grip valve allows for easy change-over from high to low pressure which causes injector to pull soap when needed. Nozzle ports are 1/4" FPT. Inlet is 1/4" MPT. Ends are bent or straight as noted.

ST53 & **ST54** are made by *Suttner* and have zinc plated or stainless barrels. **ST53** has knob control in place of the handle on **ST54**. Soap nozzle is included. Bent ends.

YDL are made by *General* and feature zinc plated or stainless steel barrels with handles like Model ST54. Straight or bent ends.



Control Knob

ST53

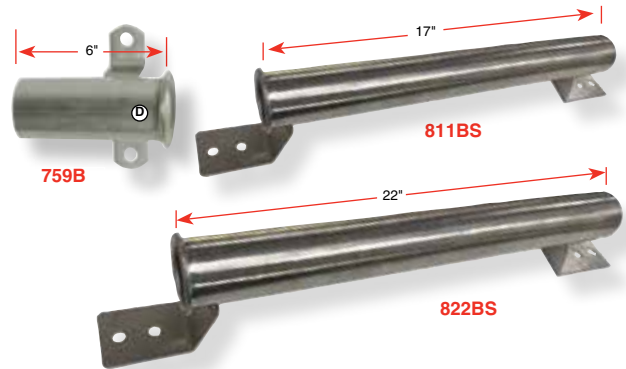
Control Handle

ST54

Part-No.	Type	Length	Max. PSI
NP ST53	Plated Bent, Knob	38"	3600
NP ST532	Stainless Bent, Knob ..	38"	5800
NP ST53-72	Plated Straight, Knob .	72"	3600
NP ST54	Plated Bent, Handle ...	38"	4500
NP ST542	Stainless Bent, Handle	38"	5800
NP ST54-48	Plated Bent, Handle ...	47"	4500
NP ST54-72	Plated Straight Handle	72"	4500
IP YDL41	Plated, Straight Handle	41"	3600
IP YDL41B	Plated Bent, Handle ...	41"	3600
IP YDL41SSB	Stainless Bent, Handle	41"	3600

Stainless Steel Wand Holders

Stainless Steel Wand Holders are designed to keep your wands off the floor and easily accessible for your customers and employees. Wall or floor mount versions. Flex spring or rigid styles. All tubes are 2-1/2" O.D.



759B

811BS

822BS

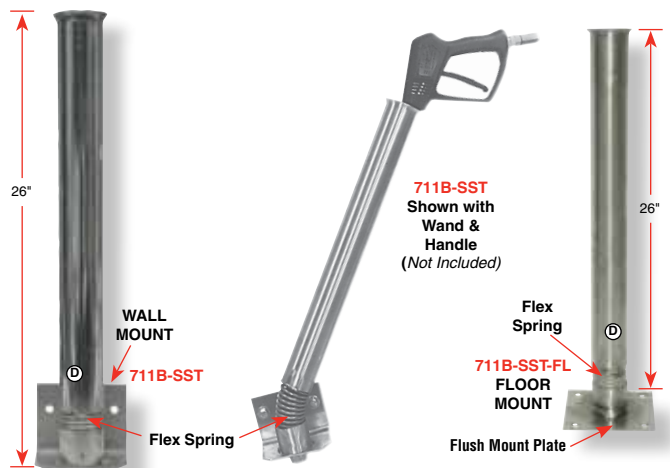
811BS is a **wall mount, rigid** style holder for one spray wand. **Length is 17"**. Includes mounting tabs welded to bottom.

822BS is a **wall mount, rigid** style holder for one spray wand. **Length is 22"**. Includes mounting tabs welded to bottom.

759B is a **wall mount, rigid** style holder for short wands like the triple foam wands. **Length is 6"**. Includes mounting tabs welded to bottom.

711BS-SST is a **wall mount, flex spring** style holder for one spray wand. **Length is 26"**. Includes mounting plate welded to back.

711BS-SST-FL is a **floor mount, flex spring** style holder for one spray wand. **Length is 26"**. Includes mounting plate welded to bottom.



26"

711B-SST
Shown with Wand & Handle
(Not Included)

WALL MOUNT

711B-SST

Flex Spring

Flex Spring

711B-SST-FL
FLOOR MOUNT

Flush Mount Plate

26"

Stainless Steel Wand Holders

Part No.	Style	Length	Wt.
NP 811BS	Wall Mount Rigid	17"	2.5 lbs.
NP 822BS	Wall Mount Rigid	22"	3 lbs.
NP 759B	Wall Mount Rigid	6"	1 lb.
NP 711B-SST	Wall Mount Spring	26"	7 lbs.
NP 711B-SST-FL	Floor Mount Spring	26"	7 lbs.

BESTWAY SHIPPING

"BestWay" shipping may not be the quickest option, but it will help to lower your freight bill. If you select this method of shipping, Dultmeier will calculate the cheapest way to ship your package(s) at the time of shipment.