

REXNORD "Orange Peel" Coupling Guards

— OSHA / ANSI / ASME Approved —

Why Do It Yourself - Where Just Trim & Fit Is Where It's At!

Orange Peel's patented trim-and-fit design revolutionizes equipment guard convenience and value, so you can get the job-site safety you want without the expense and long lead times of custom engineered guards. Because Orange Peel guards are sized to your overall application, they can be installed in 3 easy steps: make 3 simple measurements; using dimensioned trim lines; make quick trim cuts, then simply fit the hardware. In less than an hour, Orange Peel can have you up and running.

Safety Comes First. Orange Peel guards comply with OSHA, ASME, and ANSI standards. Very few guards do! Look for a Safety Orange guard, gaps no greater than .250" (6mm) and ANSI Z535.4 compliant warning labels.

Maintenance Convenience Saves Time & Money. Orange Peel's hinged guards open quickly by removing fasteners and "peeling" open the guard halves for coupling inspection and maintenance.

Made of high impact polyethylene plastic, the same material used in truck bed liners, is extremely tough and durable. Supplied in solid Safety Orange (Yellow & White available). Orange Peel guards are ideal for harsh environments and virtually eliminate all guard maintenance.

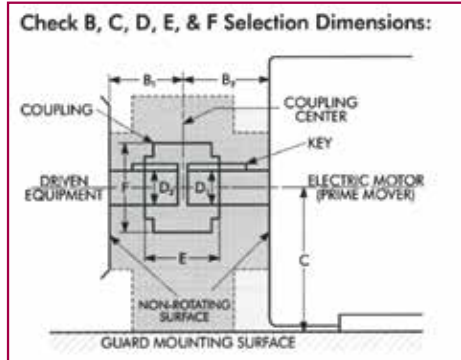
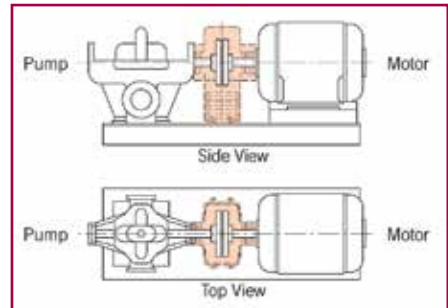
3-Year Heavy-Duty Warranty. Orange Peel is backed by the industry's first standard 3-year warranty, providing full protection.

ANSI Safety Decal, Sold Separately



Type MCG Polyethylene Guards

- Hinged Access for Easy Maintenance
- Durable High Impact Polyethylene
- (3) Sizes: 5, 15, 25
- Diameters to 9.63" (245mm)
- Molded Safety Orange (Yellow & White are available)
- Molded ANSI Warning Labels
- -40° F. to 170° F. (-40° C to 77° C)
- Maximum RPM is 3600

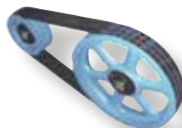


Part No.	Frame	— For Motor —		— DIMENSIONS —							
		Shaft Dia.	(C)	(B) Max.	(B) Min.	(C) Max.	(C) Min.	(D) Max.	(E) Max.	(F) Max.	
RN MCG05	48 thru 215T	0.500 thru 1.375	3.00 thru 5.25	4.25	2.00	5.25	3.00	1.38	3.50	4.00	
RN MCG15	182T thru 286TS	1.125 thru 1.625	4.50 thru 7.00	6.25	2.91	7.50	4.50	2.13	5.00	6.38	
RN MCG25	284T thru 445TS	1.875 thru 2.375	7.00 thru 11.00	9.25	4.19	11.50	7.00	3.88	7.25	9.63	
ND RS3X6	Rotating Shaft Warning Decal										



BANDO

B Section V-Belts Power King®



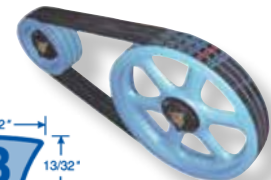
Universal B-Section V-Belts feature specially compounded rubber bodies with high strength polyester cords to provide superior flexibility and friction resistance for long, trouble-free life. All belts meet RMA standards for oil and heat resistance as well as static conductivity. **Note:** "A" Belts also available.

Part No.	Outside Length	Part No.	Outside Length	Part No.	Outside Length
GA B30	33"	GA B56	59"	GA B80	83"
GA B33	36"	GA B57	60"	GA B81	84"
GA B35	38"	GA B58	61"	GA B82	85"
GA B38	41"	GA B59	62"	GA B83	86"
GA B40	43"	GA B60	63"	GA B85	88"
GA B42	45"	GA B61	64"	GA B90	93"
GA B43	46"	GA B62	65"	GA B95	98"
GA B44	47"	GA B63	66"	GA B97	100"
GA B45	48"	GA B64	67"	GA B100	103"
GA B46	49"	GA B65	68"	GA B103	106"
GA B47	50"	GA B66	69"	GA B108	111"
GA B48	51"	GA B68	71"	GA B112	115"
GA B49	52"	GA B69	72"	GA B120	123"
GA B50	53"	GA B70	73"	GA B128	131"
GA B51	54"	GA B71	74"	GA B132	135"
GA B52	55"	GA B72	75"	GA B138	141"
GA B53	56"	GA B73	76"	GA B158	161"
GA B54	57"	GA B75	78"	GA B173	176"
GA B55	58"	GA B78	81"		

BANDO

BX Cog V-Belts Power King®

Cog V-Belts are designed to transfer power with much greater efficiencies than standard belts. Precision molded construction provides optimum flexibility and minimizes heat buildup. Meets RMA standards for oil and heat resistance as well as static conductivity. **Note:** AX Belts also available.



Part No.	Outside Length	Part No.	Nominal Outside Length
GA BX35	38"	GA BX50	53"
GA BX38	41"	GA BX51	54"
GA BX39	42"	GA BX52	55"
GA BX40	43"	GA BX53	56"
GA BX41	44"	GA BX54	57"
GA BX42	45"	GA BX55	58"
GA BX43	46"	GA BX59	62"
GA BX45	48"	GA BX60	63"
GA BX46	49"	GA BX62	65"
GA BX47	50"	GA BX66	69"
GA BX48	51"	GA BX69	72"
GA BX49	52"	GA BX70	73"