

Light Duty Air Hose Reels



Light-Duty Steel Reels are an ideal choice for air supply lines in shops or garages. Hand crank design with balanced brass swivel.



CU6050LN

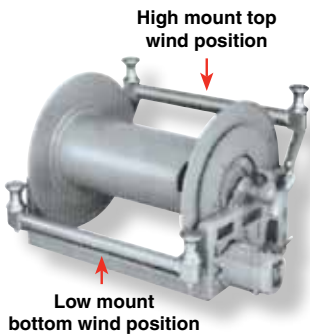
Inlet and outlet are 3/8" FPT. Rated to 250 PSI. Can be mounted on floor or wall. Both reels are 11-1/2" high x 11" deep. *Hose is not included.*



CU6100LN

Part No.	Hose Capacity	Width	Wt.
RF CU6050LN	50' of 3/8" I.D.	17-1/4"	10 lbs.
RF CU6100LN	100' of 3/8" I.D.	21"	13 lbs.

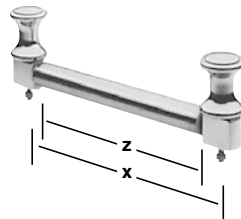
FH-3 Roller & Spool Assembly



Speeds handling and reduces hose wear. Buffed stainless steel rollers resist corrosion, pitting and abrasion.

To Order: For factory installation, specify FH-3 Assembly. Also, select top or bottom wind mounting bracket.

As an accessory, specify FH-3 Assembly and give length of roller (*Dimension Z, not to exceed 38"*) and distance between mounting holes (*Dimension X*). Also select top or bottom wind mounting bracket.



Part No.	Dimensions
HN FH3	FH-3 Roller & Spool Assembly
HN -	FH-3 Roller & Spool Assembly, Factory Install
HN 9941.0023	* Top Wind Mounting Bracket.....
HN 9941.0024	* Bottom Wind Mounting Bracket.....

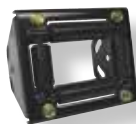
* Specify Model Number

Roller Assemblies

4-Way Roller Assemblies are for use on the reel, on cabinet door openings and for similar locations where sharp metal edges may cut or damage the hose/cable. 4-way design protects hose even when payout or rewind is at an angle.

Note: A hose stop should be used with 4-way rollers to prevent damage to rollers and nozzles.

An extra bracket is required to mount the roller assemblies to a hose reel (sold separately).



N200 Series



R200 Series



R300 Series

Part No.	Overall Size	Roller Opening
HN R203	8 x 5.5	2.5 x 2
HN R204	9 x 5.5	3.5 x 2
HN R205	10 x 5.5	4.5 x 2
HN R206	11 x 5.5	5.5 x 2
HN N203	5.5 x 5.5	2.5 x 2
HN N204	6.5 x 5.5	3.5 X 2
HN N205	7.5 x 5.5	4.5 x 2
HN N206	8.5 x 5.5	5.5 x 2
HN R306	11.25 x 7	5.5 x 2.8
HN R308	13.25 x 7	7.5 x 2.88
HN R310	15.25 x 7	9.5 x 2.88

REELCRAFT Spring Rewind Air Reel

Spring Rewind Air Reel features a composite PVC outer case which is corrosion-resistant. Solid brass swivel and steel main shaft are standard features. Positive latching system design. Can be mounted in any position on floor, wall or ceiling. Lightweight yet durable. 3/8" x 50' air hose is included and is rated to 230 PSI.



SGA3650OLP

Part No.	Wt.
RF SGA3650OLP	Spring Rewind Reel with Hose 23 lbs.

Hose & Cable Stops



Hose & Cable Stops are recommended for use with spring rewind reels and 4-way roller assemblies. Each stop is easily assembled with the fasteners provided, without any special tools.

Two-piece molded plastic spheres, **undrilled** with bolts/nuts (Can also be drilled to hole size you specify).

Part No.	Dimensions	Maximum Hole Size
HN HS3	3" O.D.	1.80" Dia.
HN HS45	4-1/2" O.D.	2.69" Dia.
HN HS35-XXX	* 3.5" O.D.	1.53" Dia.

* Specify Hose O.D. Max. Drill Hole is 1.53".

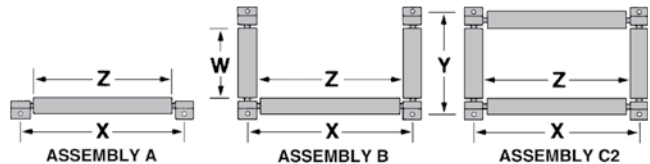
Utility Hose Rollers



Stainless Steel Rollers and cast alloy brackets for use on the reel, on cabinet door openings, truck platforms and similar locations where sharp edges may cut or damage hose/cable.

Specifications: 1-1/2" diameter stainless steel roller, stainless rod, Delrin bearings, alloy brackets and required fasteners. **To Order:** Specify Assembly A, B or C and give distance between each pair of mounting holes (*Dimensions X & Y*) and length of each roller (*Dimensions W & Z*). W=vertical roller length, Z=horizontal roller length.

Also available factory installed on the reel.



Part No.	Description
HN 9939.0060	Assembly "A" (Kit Only)
HN -	Assembly "A" (Factory Installed)
HN 9939.0061	Assembly "B" (Kit Only)
HN -	Assembly "B" (Factory Installed, Bottom Wind)..
HN -	Assembly "B" (Factory Installed, Top Wind)
HN 9939.1066	Assembly "C" (Kit Only)
HN -	Assembly "C" (Factory Installed, Bottom Wind)..
HN -	Assembly "C" (Factory Installed, Top Wind)

Note: Installed is with new reel purchase.