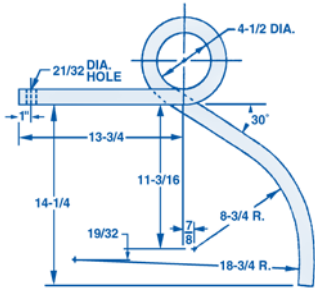
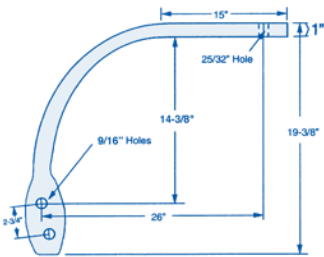


**N405 Side Plate Mount
Stub Spring Shank
1-Hole Clark/TCI Pattern**

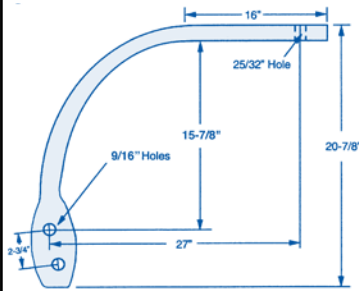


1-1/4" Square material with one 21/32" hole. Coil is double offset allowing the knife to follow directly in line with tool bar mounting position.

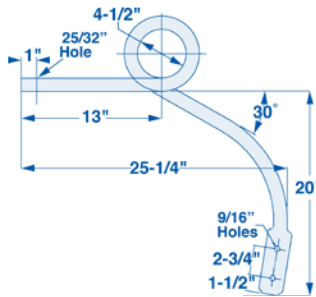
**KSC1295 2" x 1"
Spring Shank
Blujet Pattern**



**KSC1298
2" x 1"
Spring Shank
DMI Pattern**

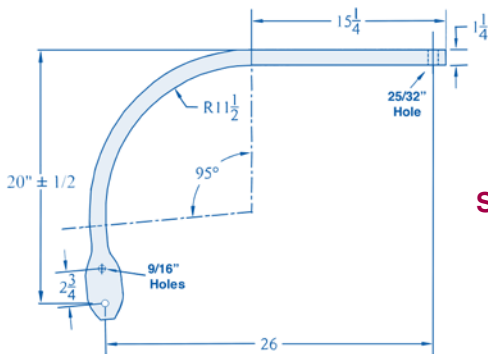


**CS1236 Side Mount
Spring Shank
3-Hole Thurston "BlueJet"
"Titan" Pattern**



Titan/Blue-Jet 1-1/4" square coil shank. High grade alloy steel. For 4" x 6" Tool bars. No knife plates required.

**KSC1299
2" x 1-1/4"
Spring Shank
for Strip Till**



SHANK PRICES

Part No.	Wt.
BE N405	33 lbs.!
BE CS1236	35 lbs.
BE KSC1295	42 lbs.
BE KSC1298	42 lbs.
BE KSC1299	42 lbs.

LESS 5% on 10+ of One Size



Attaching Bolts and Brackets

44001114
3" x 7"
Plate

602083
Fits both 1-1/4" &
2" x 1" Shanks

QUICK ATTACH CLAMP
For Mounting 1-1/4" or 2"x1"
Spring Shank To 4" Square
Tool Bar.

Part No.		Wt.	Net Ea.
LL 44001114	3" x 7" Plate	1	\$ 29.80
LL 602083	Eye Bolt ONLY for 1-1/4" & 2"x1" Shanks	1	40.65

Beaver Tail Sealer Wings

These 3" x 3" forged Beaver Tail sealers can be installed on most NH3 knives. Use **SPL-4NEW** on knives with a 1/2" or 3/4" profile. Usually installed 3" or 4" above the tube outlets at a slight downward angle.



SPL-4NEW

Tube Assembly



TA-1

Tube Assembly is center mount and can be used for liquid or NH3 Applications with field cultivators or chisel plows. The 3/8" O.D. tubes are closed and drilled.



Replacement Tube



TB-3

TB-3 Tube is 3/8" x 12" crimped and drilled. **1212F** Tube is 1/2" x 12" open end.
W34 Tube is 3/4" x 12" open end.

Part No.		Wt.	DISCOUNT
		Lbs.	50 or More
			One Number
BE SPL-4NEW	Sealer Wing Up to 1/2" Tubes ...	1/2	5%
BE SPL-4DANEW	Sealer Wing for 3/4" Tubes....	1/2	5%
BE TA-1	Center Mount Tube Assembly ...	1	5%
BE TB-3	Replacement Tube, 3/8".....	1/4	5%
WC 1212F	1/2" x 12" Knife Tube Open...	-	5%
WC W34	3/4" x 12" Knife Tube Open...	-	5%

BESTWAY SHIPPING

"BestWay" shipping may not be the quickest option, but it will help to lower your freight bill. If you select this method of shipping, Dultmeier will calculate the cheapest way to ship your package(s) at the time of shipment.

thank you!

WE APPRECIATE YOUR BUSINESS