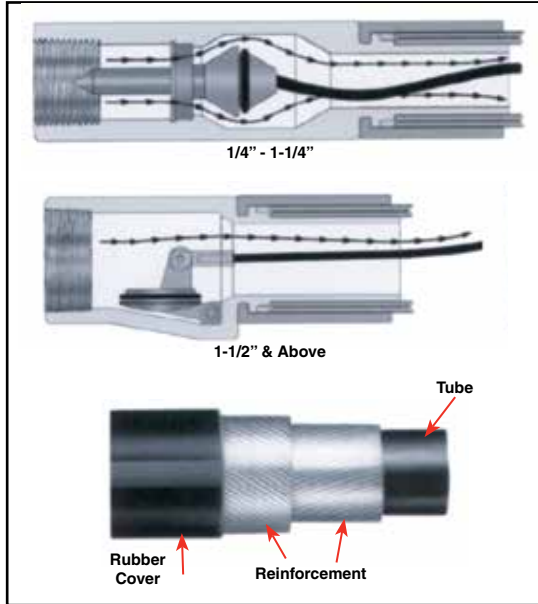


**Smart-Hose™ Safety Systems**

**Smart-Hose Safety Systems** provide critical protection from hazardous liquids, hydraulic or pressurized gases in the event of hose separation or coupling ejection during unloading, loading or transfer. Required by USDOT in many cases, Smart-Hose meets the requirements of DOT HM225/49CFR173.315 and NFPA 59. Both NH3 & LPG hoses include 316 SS couplings (FNPT), 316SS interior cable & teflon o-rings. The interior cable is normally under compression; when the hose is stretched to an unsafe condition, the cable pulls the interior valves shut quickly and securely.

All hoses are tested under water with dry air or nitrogen to approximately 700 PSI and include Test Certificate & serial number. Both NH3 & LPG hoses are rated to 350 PSI working pressure rating and 1750 PSI minimum burst pressure rating. Temperature range from -40° to 180° F. Standard 2" hose assemblies are 18'6" overall length. *Other lengths available for NH3, LPG and many other hazardous products.*



Part No.	Description	Call Toll Free For Prices
LF 2N2X18-6	2" x 18' NH3 Smart Hose™ Assembly	
LF 2P2X18-6	2" x 18' LPG Smart Hose™ Assembly	



**N-Serve Easy Caddy System**

- Dura-Pump™ Easy Caddy Pumping System in Viton®; Approximately 8-10 GPM
- 1" x 12' Discharge Hose & 1" x 5" Suction Hose are Premium XPLE
- Includes Ball Valve Nozzle (*Dry Poppet Coupler Also Available*)
- Optional Meter Available
- Features 2 Year Maintenance Program



Part No.	Description
DP E4612NV	Easy Caddy N-Serve System, 12 Volt .....
DP E4615NV	Easy Caddy N-Serve System, 115 Volt .....
DP 3000V	1" Dura-Meter, Viton®.....



**ASF3000 Equalizer**  
**Full Range High Capacity;**  
**Heat Exchangers Only**



**Increased Output**

The Equalizer dramatically increases output even at tank pressures as low as 50 PSI. 1-1/4" Units provide 30 GPM @ 100 PSI. 1-1/2" Units provided 45 GPM @ 100 PSI and 31 GPM @ 40 PSI tank pressures.

**Accuracy**

The Equalizer is a simple, compact device which employs the refrigeration of 1/2 to 2-1/2% of the liquid in the system to super cool the remaining 97-1/2 to 99% of the liquid.

**Serviceability**

The Equalizer can be completely disassembled. Stainless internal tubes.

**Unit Includes:**

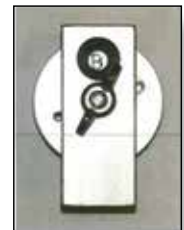
Super Flow Unit, Vapor Dump Tubes, 6' x 3/8" Hose, Hose Clamps, Elbow, Mounting Bracket, Reducing Tee, Pipe Sealant and Stainless Steel Hose Barb. 1-1/4" Ports.

Part No.	Description
CN ASF3000	1-1/4" Heat Exchanger, Vertical .....
CN ASF3000G	1-1/2" Heat Exchanger, Vertical .....
CN ASF3000GH	1-1/2" Heat Exchanger, Horizontal.....

**Orifice Valve for Heat Exchangers**

**Standard Features Include:**

- Reduces the Amount of NH3 Coming Out of the Dump Lines
- 4 Orifice Sizes to Choose From For Any Application Range
- Stainless Steel Orifice Disc to Eliminate Rusting
- Works with *Raven* and *Continental* Heat Exchangers
- Eliminates Orifice Hose Barbs and Allen Threaded Inserts to Save On Maintenance, Time & Changeovers
- Changes Orifice Size in Just A Few Seconds



Part No.	Description
CN ASFOV	Orifice Valve for Heat Exchangers .....



**Hose Buddies**

Fits 2" hose. Protects LP & NH3 transfer hose from abrasive ground surfaces. Easily transferable from hose to hose. Polyurethane with (2) slip bolts.



Part No.	Description
ST HB-1000	2" Hose Buddy.....