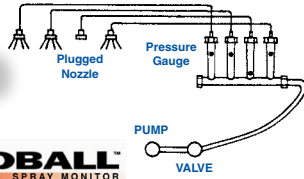


3376-2
One Piece Body



Spray Monitor

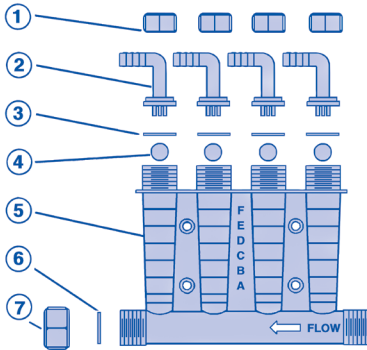
Accurately monitor the flow rate on your liquid fertilizer and chemical application equipment.



The **RED BALL Spray Monitor** is a simple gauge that allows you to visually monitor proper flow rate of your liquid fertilizer and herbicide applications. It shows immediately if a nozzle becomes plugged as little as 10% and it tells you, at a glance, any variation in your application rate. Standard with 3/8" 90° discharge elbows. One piece bodies.

Features: Rugged, reliable design • Easy to use and install • Detection of plugged nozzles and worn or damaged tips • Detection of leaks in hoses and connections • Increase yields by proper application.

Part No.	Description
HY 3376-2	3/8" 4 Row Monitor/Sprayer.....



Spray Monitor Replacement Parts List

Ref. No.	Part No.	Description
1	MZ B35M	3/4" FPT Poly Nut
2	TW C3800-90	3/8" Nylon Elbow with Tips....
2	TW C1200-90	1/2" Nylon Elbow with Tips....
3	MZ 31W	EPDM Gasket / Standard.....
3	MZ 31V	Viton® Gasket.....
4	MZ RB20	Set of 4 Red Balls / Glass.....
4	MZ RB21	Set of 4 Red Balls / Plastic ...
4	MZ RB22	Set of 4 Black Balls / Plastic .
4	MZ RB23	Set of 4 Green Balls / Plastic
4	MZ RB24	Set of 4 White Balls / Plastic .
4	MZ RB25	Set of 4 Stainless Balls
5	HY 100-3376	4-Column Replacement Body
6	MZ RB26	3/4" Blank Disc.....
-	HY 3430-274	Red Ball Repair Kit (16 Balls, 4 Gaskets, 2 Blank Discs)....
-	MZ RB27	Orifice Cap - Before 1995.....
-	MZ RB28	Retaining Ring - Before 1995

FREE FREIGHT

On Orders \$2500 Or More

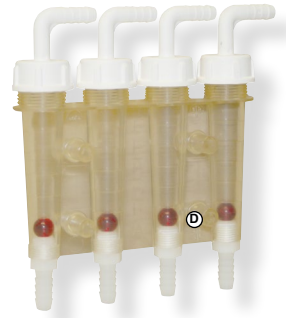
* See Inside Back Cover for Exclusions

Viton® is a registered trademark of DuPont Performance Elastomers

Spray Monitors for Squeeze Pumps

These Red Ball Monitors are Specifically Designed to be Used with Squeeze Pumps

Features: Rugged, reliable design • Easy to use and install • Detection of plugged nozzles and worn or damaged tips • Detection of leaks in hoses and connections • Increase yields by proper application.



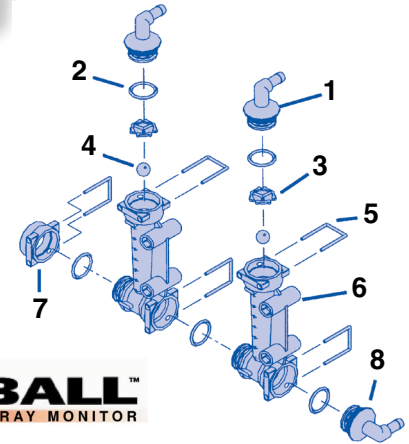
Part No.	Size	Description
HY 3999-1414	1/4"	1-Column for Squeeze Pumps.....
HY 3376-4	3/8"	4-Column for Squeeze Pumps.....
HY 3376-5	1/2"	4-Column for Squeeze Pumps.....
HY 3376-6	3/8"	2-Column for Squeeze Pumps.....
HY 3376-7	1/2"	2-Column for Squeeze Pumps.....



Single Column Spray Monitor Parts



Ref.#	Part No.	Description
1	MZ 2133	1/4" Elbow Hose Barb
	MZ 2134	3/8" Elbow Hose Barb
	MZ 2135	1/2" Elbow Hose Barb
1A	MZ 20519	1/4" FPT Outlet Fitting for 3999 Series
2	MZ 2140	O-Ring EPDM
3	MZ 2137	Float Stop
5	MZ 2037	U-Pin
6	MZ 2139	Column, Single
7	MZ 2138	Cap, Plug
8	MZ 2136	3/4" Elbow H.B., Inlet
9	WL 20525	Clip Tee



Spray Monitor Mounting Brackets



Use these mounting brackets to support your spray monitors above your planter/sprayer bar at easy viewing height. Constructed of laser cut steel with slotted holes for a variety of mounting heights; black powder coat finish.

Small brackets hold up to 8 spray monitors; large brackets hold up to 16. Optional back plates are white and improve visibility during dawn, dusk and night time operation. Mounting u-bolts are not included. (Spray monitor and baseplate sold separately).

Part No.	Description
DS 50-4	Small Mounting Bracket for 8 Monitors.....
DS 50-2	Small White Back Plate
DS 50-3	Large Mounting Bracket of 16 Monitors
DS 50-3S	Large Mounting Bracket, Dual Slotted.....
DS 50-5	Large White Back Plate
DS 50-6	Large Add-On Bracket, Dual Slotted.....