

## OPW Swivel Joints

Use OPW swivel joints with rigid piping for loading and unloading liquids without the difficulty of manhandling heavy, cumbersome hoses.

**True Ball Bearing Race Alignment:** Body and tail sections are locked together by a double row of ball bearings. Races are precision machined.

Part No.	FPT	Material	Seal	Wt. Lbs.
OP 3830-0201	2"	Ductile Iron	Buna	8
OP 3830-0301	3"	Ductile Iron	Buna	15
OP 3830-0401	4"	Ductile Iron	Buna	22
OP 3830-0203	2"	Ductile Iron	Teflon	8
OP 3830-0303	3"	Ductile Iron	Teflon	15
OP 3830-0403	4"	Ductile Iron	Teflon	22



Part No.	FPT	Material	Seal	Wt. Lbs.
OP 3840-0301	3"	Ductile Iron	Buna	19
OP 3840-0303	3"	Ductile Iron	Teflon	19
OP 3840-0403	4"	Ductile Iron	Teflon	28



**NOTE: Style 40 NOT for use with spring balances or counter weights.**

Part No.	Flange x FPT	Material	Seal	Wt. Lbs.
OP 3858FO-301	3"	Ductile Iron	Buna	26
OP 3858FO-0401	4"	Ductile Iron	Buna	37
OP 3858FO-0303	3"	Ductile Iron	Teflon	26
OP 3458FO-303	3"	Carbon Steel	Teflon	28
OP 3858FO-0403	4"	Ductile Iron	Teflon	37
OP 3458FO-403	4"	Carbon Steel	Teflon	40
OP 3958FO-303	3"	Stainless Steel	Teflon	30
OP 3958FO-403	4"	Stainless Steel	Teflon	55



**Many Other Styles & Materials Available Call for Details!**

for use with 790 spring balances with Lugs

**For Fertilizer Corrosion Resistance - Carbon Steel is a Better Choice Than Ductile Iron**

### SEAL KITS FOR OPW SWIVEL JOINTS

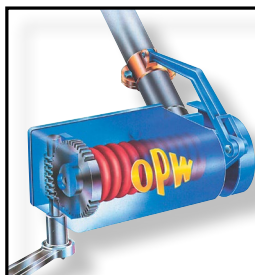
Part No.	Size	Material	Net Ea.
OP 3000RK-0201	2"	Buna Seal Kit	\$ 33.75
OP 3000RK-0301	3"	Buna Seal Kit	33.50
OP 3000RK-0401	4"	Buna Seal Kit	39.25
OP 3000RK-0303	3"	Teflon Seal Kit	187.00
OP 3000RK-0403	4"	Teflon Seal Kit	228.00

### STAINLESS SPLASH DEFLECTORS

Part No.	Size	Material	Net Ea.
DU DEF30SST	3"	Stainless Deflector	\$ 144.00
DU DEF40SST	4"	Stainless Deflector	182.00
DU DEF60SST	6"	Stainless Deflector	335.00

## Replacement Spring Balances Used With Load Arm Systems at Right

Part No.	Description
OP 790A	EZ Adjust Style, "A" Spring Balanced, White, RH
OP 790B-X461	EZ Adjust Style, "B" Spring Balanced, Yellow, RH



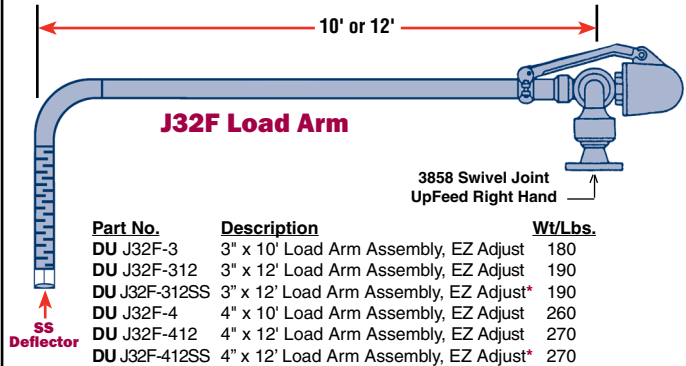
All OPW Counterbalances are color-coded for easy identification. The following chart can be used to properly identify your spring balance unit.

LEFT HAND		RIGHT HAND	
790ALH-0025	BLACK	790A-0020	WHITE
790BLH-0035	GRAY	790B-0030	YELLOW
790CLH-0045	ORANGE	790C-0050	RED

## OPW Spring Balance Load Arms

Loading arms make tank filling easy and efficient because positioning the tanker is less critical. The arm can easily be moved horizontally and vertically. The J32F is a complete load arm assembly with "EZ Adjust" torsion spring balance, link collar, lockdown, swivel joint and stainless pipe and elbow with 4' drop hose and stainless splash deflector. Flanged inlet connection. Flow limits: 350 GPM on 3", 600 GPM on 4". Locks in any of 3 positions between horizontal and 15° below horizontal. Also swivels around vertical axis (*double plane swivel*).

Standard with a carbon steel swivel with Teflon seals. "Upfeed right-hand" standard (*upfeed left-hand as well as stainless steel also available*). "EZ Adjust" spring balances are included in all models. (See "E-Z Adjust detail below").



Part No.	Description	Wt/Lbs.
DU J32F-3	3" x 10' Load Arm Assembly, EZ Adjust	180
DU J32F-312	3" x 12' Load Arm Assembly, EZ Adjust	190
DU J32F-312SS	3" x 12' Load Arm Assembly, EZ Adjust*	190
DU J32F-4	4" x 10' Load Arm Assembly, EZ Adjust	260
DU J32F-412	4" x 12' Load Arm Assembly, EZ Adjust	270
DU J32F-412SS	4" x 12' Load Arm Assembly, EZ Adjust*	270

\* Includes Stainless Swivel.

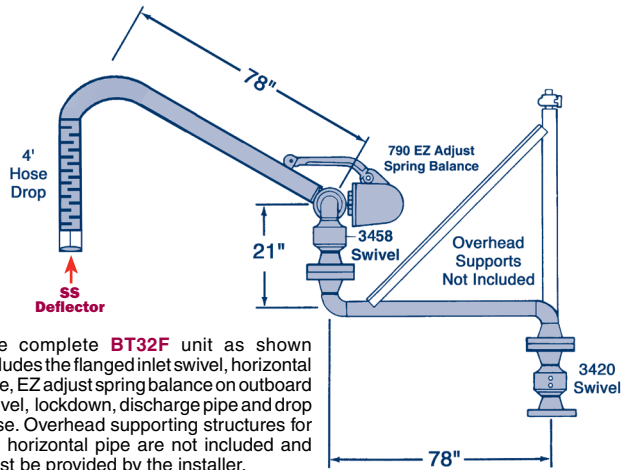
### Replacement Swivel Joint Options:

Flanged by FPT for Spring Balance Arms / Upfeed Right Hand

Part No.	Description	Wt/Lbs.
OP 3458FO-303	3" Carbon Steel/ Teflon	28
OP 3458FO-403	4" Carbon Steel/ Teflon	45

## OPW Supported Boom Load Arm

**DU BT32F Load Arm** employs a supported boom mounted to a single plane flanged swivel from an upfeed riser. This provides 180° movement. The 3458 Spring Balance swivel allows horizontal and vertical adjustment with a lockdown in any of three positions from horizontal to 15° below. The **3858 Swivel** is carbon steel with Teflon internals. The **3420 Swivel** is fabricated steel, flanged both ends. The discharge pipe is SCH10 Stainless with a 4 ft. drop hose and Stainless deflector. The horizontal feed pipe is SCH40 black steel. "EZ Adjust" spring balances are included (*see above for details*).



The complete **BT32F** unit as shown includes the flanged inlet swivel, horizontal pipe, EZ adjust spring balance on outboard swivel, lockdown, discharge pipe and drop hose. Overhead supporting structures for the horizontal pipe are not included and must be provided by the installer.

Part No.	Description	Wt.
DU BT32F-4X12	4" x 12' Supported Boom Load Arm	360 lbs.

## EZ Adjust Spring Balance

The **790 EZ Adjust Spring Balance** allows a full range of adjustments with a 5/8" socket wrench. Eliminates the adjustment problems when load arms are used with different discharge heights. Available in A/B/C spring weights for different length load arms.