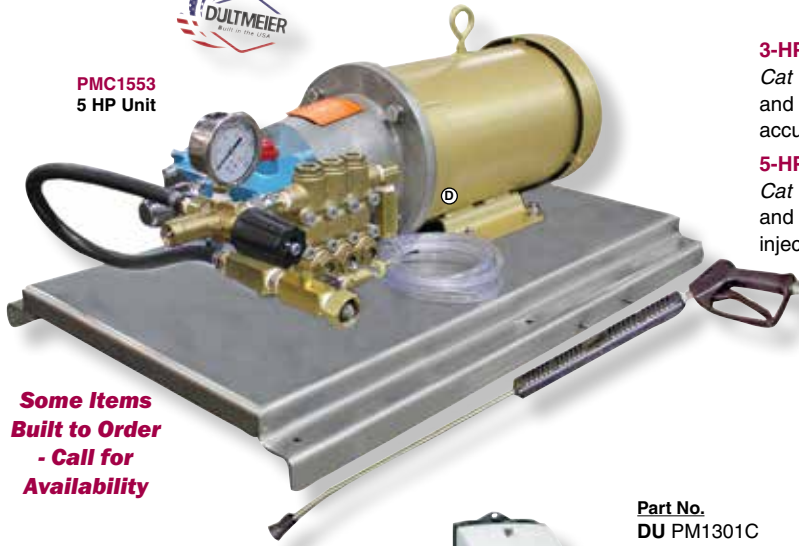


Designed with Upstream Soap Injectors for High Pressure Soap Injection

Versatile, High Pressure Wash Units. Ideal for a wide variety of cleaning requirements. Features Ceramic Plunger Pumps and 3 or 5 HP TEFC motors. **Close-coupled feature eliminates** the need for belts or pulleys and provides for smooth, quiet operation.



**PMC1553
5 HP Unit**



**Some Items
Built to Order
- Call for
Availability**



**Motor
Starters
Optional**



3 & 5 HP Pressure Wash Units

3-HP Units are rated to 3.6 GPM @ 1200 PSI. Available with either *Cat Pumps*® Plunger pumps. Wash units are complete as shown and include a manual chemical injector and rinse/soap valve for accurate injection of detergents into the system.

5-HP Units are rated to 4 GPM @ 1800 PSI. Available with either *Cat Pumps*® Plunger pumps. Wash units are complete as shown and include a chemical injector and rinse/soap valve for accurate injection of detergents into the system.

Standard with pressure unloader valve, trigger style shut-off gun, insulated extension, 50' of 3/8" high pressure hose, gun swivel, pressure pop-off valve, pressure gauge and spray nozzle.

All units are pre-assembled on heavy gauge stainless steel base plates and are tested prior to shipping.

Part No.	HP	Phase	Volts	Pump	PSI	GPM	Wt.
DU PM1301C	3	Single	115/230	Cat	1200	3.6	100 lbs.
DU PM1303C	3	Three	230/460	Cat	1200	3.6	90 lbs.
DU PMC1551	5	Single	230	Cat	1800	4.0	160 lbs.
DU PMC1553	5	Three	230/460	Cat	1800	4.0	135 lbs.
CE M1P018-C-B0S	Motor Starter, 3 HP - 1 Phase, 230 volt.....						
CE M2P032-C-B3S	Motor Starter, 5 HP - 1 Phase, 230 volt.....						
CE M1P009-C-A9	Motor Starter, 3 HP - 3 Phase, 230 volt.....						
CE M1P018-C-B0	Motor Starter, 5 HP - 3 Phase, 230 volt.....						

Electric Drive Pressure Washers

Electric Motor Driven Pressure Washers with Hand Carry, Wall Mount or Wheeled Cart options. High quality AR or *General* Plunger pumps (*Cat Pumps* are optional on many models).

Standard Features Include: Aircraft grade, tubular aluminum frames • Pressure unloader valve • Thermo sensor valve • Chemical injector • 50' Hose • Spray wand with quick coupler nozzles • 1-1/2 HP through 3 HP models can ship via UPS with minor assembly required • 6 HP and larger units ship via truck • Wheeled cart models feature pneumatic tires and shock absorbing feet • 115 Volt models include 36' GFCI power cords • 230 Volt models include 12' power cord without plug. All models include trigger wand and 50' of hose. (Optional motor starters or auto stop/start are available if needed).

A suffix at end of part number is AR Pump, G suffix is General Pump

Electric Hand Carry Models

Part No.	GPM	PSI	Motor	Wt.
BI HC2015G	2.0	1300	2HP / 115V / 1PH	98 lbs.
BI HC3010G	3.0	1000	2HP / 115V / 1PH	98 lbs.

Electric Wall Mount Models

Part No.	GPM	PSI	Motor	Wt.
BI WM2015G	2.0	1300	2HP / 115V / 1PH	98 lbs.
BI WM3010G	3.0	1000	2HP / 115V / 1PH	98 lbs.
BI WM3015G	3.0	1500	3HP / 230V / 1PH	125 lbs.
BI WM4020A	4.0	2000	6HP / 230V / 1PH	230 lbs.
BI X1520	**2.0	1500	2HP / 110V / 1 PH	130 lbs.
BI X2050	**4.0	2000	5HP / 230V / 1 PH	180 lbs.

** X1520 & X2050 Wall Mount Units feature Auto/Stop/Start Panels, Hose Reels & 15' Power Cords.

Electric Wheeled Cart Models

Part No.	GPM	PSI	Motor	Wt.
BI EE2015G	2.0	1300	2HP / 115V / 1PH	105 lbs.
BI EE3010G	3.0	1000	2HP / 115V / 1PH	105 lbs.
BI EE3015G	3.0	1500	3HP / 230V / 1PH	130 lbs.
BI EE4020G	4.0	2000	6HP / 230V / 1PH	235 lbs.
BI EE3530G	3.5	3000	7.5HP / 230V / 1PH	250 lbs.
BI EE4030A	4.0	3000	7.5HP / 230V / 1PH	250 lbs.
BI EE4035A	4.0	3500	10HP / 230V / 1PH	265 lbs.
BI EE3540A	3.5	4000	10HP / 230V / 1PH	265 lbs.

