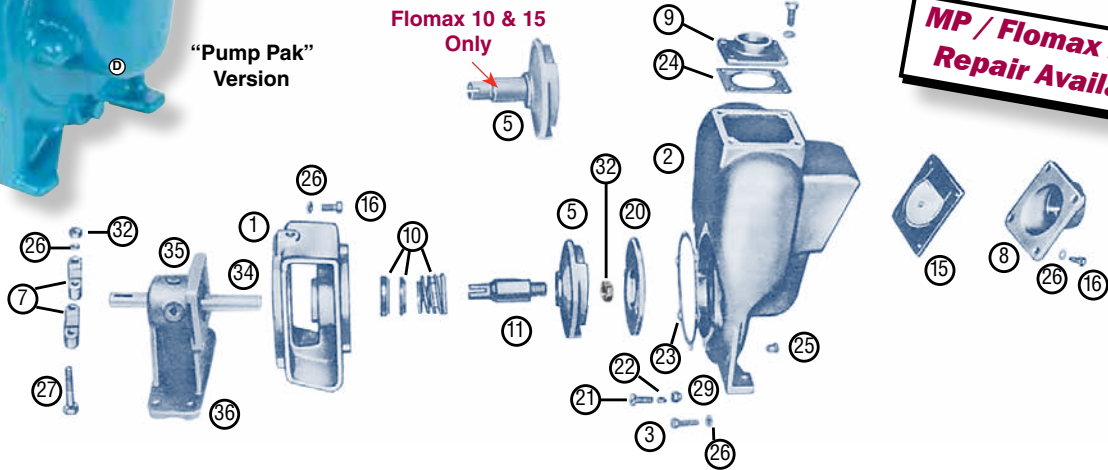




MP Flomax PUMPS COMPOSITE PARTS LIST

Flomax 5 & 8 • Flomax 10 & 15 CAST IRON MODELS ONLY



Flomax 5 & 8

Ref. No.	Part No.	Description
1	MX 22247	Adapter, Engine, Clutch or Pedestal mount for belt or direct drive.....
	MX 25904	Close Coupled Electric.....
2	MX 23021	Housing Assembly, Cast Iron
3	MX 28059	Stainless Stud 5/16"
5	MX 22293	Impeller (5" Dia).....
7	MX 23002	Impeller Clamp
8	MX 22263-B	Inlet Flange 1-1/2"
	MX 22387-B	Inlet Flange 2"
9	MX 22266-B	Outlet Flange 1-1/2"
	MX 22311-B	Outlet Flange 2"
10	MX 22272	Viton® Seal Assembly
	MX 22560	Severe Duty Seal.....
11	MX 22286	Drive Sleeve
15	MX 33624	Viton® Flapper - (23022 Buna) (26097 EPDM)
16	MX 21242	Capscrew
20	MX 23024	Wear Plate Kit.....
21	MX 21249	Flat Head Screw (for 2011 & Earlier Models).....
21	MX 37137	Flat Head Screw - 37137 (for 2012 & Later Model)
22	MX 21248	Annular Gasket.....
23	MX 22255	Gasket (Viton®).....
	MX 34555	O-Ring (for 2012 & Later Models)
24	MX 37141	Outlet O-Ring (Viton®; for 2012 & Later Models)
	MX 25933	Outlet Gasket, EPDM (for All Model Years) ..
26	MX 21238	Lock Washer.....
29	MX 21237	Acorn Nut
32	MX 22655	Jam Nut.....
35	MX 22321	Woodruff Key.....
Pedestal Assembly		
36	MX 26142	Pedestal Assembly
	MX 26140	Pedestal Body
	MX 26085	Shaft - 3/4".....
	MX 22300	Ball Bearing.....
	MX 21695	Snap Ring.....
	MX 22564	OVERHAUL KIT -.....
Includes all Part Numbers in Red and Includes parts to repair both "Old Style" & "New Style" (Jan. 2012 or later) Flomax Pumps.		

Other Optional Items

- MX 37186 2" Full Port 220 Flange for Discharge Port
- MX 37188 2" Full Port 220 Flange for Suction Port

Flomax 10 & 15

Ref. No.	Part No.	Description
1	MX 22348	Adapter, Belt Pedestal or Direct Drive..... & Adapter for 8 HP Briggs, Honda & Wisc.....
2	MX 23035	Housing Assembly, Cast Iron
3	MX 21260	Capscrew
5	MX 23038	Impeller with Shaft Sleeve (one piece); 6" Impeller
	MX 24721	Impeller with Shaft Sleeve; 5-3/4"
	MX 24792	Impeller with Shaft Sleeve; 5-1/2"
7	MX 23039	Impeller Clamp
8	MX 22369-B	Inlet Flange 2"
	MX 22468-B	Inlet Flange 3"
9	MX 22372-B	Outlet Flange 2"
	MX 22471-B	Outlet Flange 3"
10	MX 22361	Viton® Seal Assembly
	MX 26461	Severe Duty Seal.....
11	See Ref. #5	Drive Sleeve & Impeller (one piece)
15	MX 23040	Buna Flapper - (23040 Buna) (33626 Viton®).....
16	MX 21291	Capscrew
20	MX 22376	Wear Plate Kit.....
21	MX 21262	Flat Head Screw (for 2011 & Earlier Models).....
21	MX 37115	Flat Head Screw (for 2012 & Later Models).....
22	MX 21271	Annular Gasket.....
23	MX 22240	Gasket
	MX 29715	O-Ring (for 2012 & Later Models)
24	MX 37138	Viton® O-Ring (for 2012 & Later Models)
	MX 26101	EPDM Gasket (for All Model Years).....
25	CN A1135	Pipe Plug
26	MX 21266	Lock Washer.....
27	MX 21269	Capscrew
29	MX 21263	Acorn Nut
35	MX 22425	Woodruff Key.....
Pedestal Assembly		
36	MX 26164	Pedestal Assembly
	MX 26161	Pedestal Body
	MX 26162	Shaft - 1".....
	MX 22035	Snap Ring.....
	MX 25474	Ball Bearing.....
	MX 22566	OVERHAUL KIT -.....
Includes all Part Numbers in Red and Includes parts to repair both "Old Style" & "New Style" Pumps (Jan. 2012 or later)		

Viton® is a registered trademark of DuPont Performance Elastomers