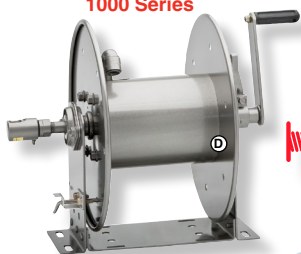


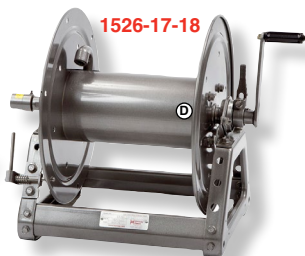


Hannay Hose Reels in Hand Crank or 12 Volt DC Rewind. Ideal for pressure washers, lawn care, tree spraying, etc. Spools turn on self-aligning bearings. Frames, drum and fasteners are fabricated with heavy gauge steel. Reels will handle most liquid products to temperatures of +225° F. and pressures to 3000 PSI. Painted enamel finish and AFLAS seals. **Note: Also available with 304 stainless internals and special EPDM Seals for DEF.**

1000 Series



1526-17-18



E1526-17-18



MS1014-14-16

Hand Crank Models: Crank is permanently attached on 1000 & 1500 series but can be removed on Model 4028-17-18.

Electric Models: Equipped with a 12-Volt DC motor with chain & sprocket drive. Hand cranks are not included on electric models. Standard in LT (Left Top) - Inlet & Motor on left & outlet on Top Left.

Swivel Repair Kits: Kits include all necessary O-rings, seals and washers for a complete swivel overhaul. High-quality replacement of original parts.

SERIES	FPT INLET PORTS	OUTLET PORTS
1000	1/2" FPT	3/8" FPT
1500	1/2" FPT	1/2" FPT
1800	1" FPT	3/4" FPT
4000	1" FPT	1" FPT

Part No.	Hose Size I.D.	REWIND	Ship Wt.
HN 1014-14-16	1/4" & 3/8"	Hand Crank	27 lbs.
HN MS1014-14-16	1/4" & 3/8"	Hand Crank	22 lbs.
HN 1020-14-16	1/4" & 3/8"	Hand Crank	31 lbs.
HN 1520-17-18	3/8" & 1/2"	Hand Crank	50 lbs.
HN E1520-17-18	3/8" & 1/2"	12-Volt DC	68 lbs.
HN 1526-17-18	3/8" & 1/2"	Hand Crank	50 lbs.
HN E1526-17-18	3/8" & 1/2"	12-Volt DC	68 lbs.
HN 1536-17-18	3/8" & 1/2"	Hand Crank	70 lbs.
HN E1536-17-18	3/8" & 1/2"	12-Volt DC	95 lbs.
HN 1836-17-18	1/2" & 3/4"	Hand Crank	70 lbs.
HN E1836-17-18	1/2" & 3/4"	12-Volt DC	95 lbs.
HN 4028-17-18	1/2", 3/4" & 1"	Hand Crank	63 lbs.
HN E4028-17-18	1/2", 3/4" & 1"	12-Volt DC	81 lbs.
HN E4038-17-18	3/4" & 1"	12-Volt DC	130 lbs.

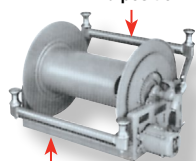
Part No.	REPLACEMENT PARTS
SE 5023	1/2" Super Swivel
SE 5033	3/4" Super Swivel
SE 5043	1" Super Swivel
SE SS8KIT	1/2" Super Swivel Repair Kit
SE SS16KIT	1" Super Swivel Repair Kit

HOSE CAPACITIES IN FEET

MODEL NO.	I.D.				MAX. DIMENSIONS		
	3/8"	1/2"	3/4"	1"	* WIDE	DEEP	HIGH
HN MS1014-14-16	75'	—	—	—	16-1/2"	14"	14-3/4"
HN 1014-14-16	100'	—	—	—	19"	14"	15-3/4"
HN 1020-14-16	175'	—	—	—	25"	14"	15-3/4"
HN E1520-17-18	275'	200'	—	—	24-1/2"	19"	18"
HN E1526-17-18	450'	325'	—	—	30-1/2"	19"	19"
HN E4028-17-18	—	325'	135'	70'	35"	19"	19"
HN E4038-17-18	—	—	200'	100'	47"	19"	18-1/8"
HN E1536-17-18	700'	475'	†200'	—	40-1/2"	19"	18-1/8"
HN E1836-17-18	—	475'	200'	—	43-1/2"	19"	18-1/8"

* Length = Hand Crank (Longest). † 1/2" Inlet & Outlet.

High mount top wind position



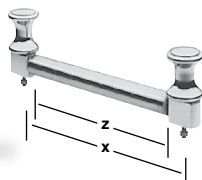
Low mount bottom wind position

As an accessory, specify FH-3 Assembly and give length of roller (Dimension Z, not to exceed 38") and distance between mounting holes (Dimension X). Also select top or bottom wind mounting bracket.

FH-3 Roller & Spool Assembly

Speeds handling and reduces hose wear. Buffed stainless steel rollers resist corrosion, pitting and abrasion.

To Order: For factory installation, specify FH-3 Assembly. Also select top or bottom wind mounting bracket.



Part No.	Dimensions
HN FH3	FH-3 Roller & Spool Assembly
HN -	FH-3 Roller & Spool Assembly, Factory Install
HN 9941.0023	* Top Wind Mounting Bracket
HN 9941.0024	* Bottom Wind Mounting Bracket

* Specify Model Number

Roller Assemblies

4-Way Roller Assemblies are for use on the reel, on cabinet door openings and for similar locations where sharp metal edges may cut or damage the hose/cable. 4-way design protects hose even when payout or rewind is at an angle.

Note: A hose stop should be used with 4-way rollers to prevent damage to rollers and nozzles.

An extra bracket is required to mount the roller assemblies to a hose reel (sold separately).



N200 Series



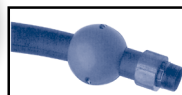
R200 Series



R300 Series

Part No.	Overall Size	Roller Opening
HN R203	8 x 5.5	2.5 x 2
HN R204	9 x 5.5	3.5 x 2
HN R205	10 x 5.5	4.5 x 2
HN R206	11 x 5.5	5.5 x 2
HN N203	5.5 x 5.5	2.5 x 2
HN N204	6.5 x 5.5	3.5 x 2
HN N205	7.5 x 5.5	4.5 x 2
HN N206	8.5 x 5.5	5.5 x 2
HN R306	11.25 x 7	5.5 x 2.8
HN R308	13.25 x 7	7.5 x 2.88
HN R310	15.25 x 7	9.5 x 2.88

Hose & Cable Stops



Hose & Cable Stops are recommended for use with spring rewind reels and 4-way roller assemblies. Each stop is easily assembled with the fasteners provided, without any special tools.

Two-piece molded plastic spheres, **undrilled** with bolts/nuts (Can also be drilled to hole size you specify).

Part No.	Dimensions	Maximum Hole Size
HN HS3	3" O.D.	1.80" Dia.
HN HS45	4-1/2" O.D.	2.69" Dia.
HN HS35-XXX	* 3.5" O.D.	1.53" Dia.

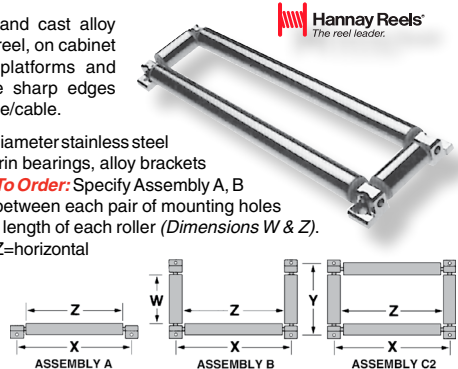
* Specify Hose O.D. Max. Drill Hole is 1.53".

Utility Hose Rollers

Stainless steel rollers and cast alloy brackets for use on the reel, on cabinet door openings, truck platforms and similar locations where sharp edges may cut or damage hose/cable.

Specifications: 1-1/2" diameter stainless steel roller, stainless rod, Delrin bearings, alloy brackets and required fasteners. **To Order:** Specify Assembly A, B or C and give distance between each pair of mounting holes (Dimensions X & Y) and length of each roller (Dimensions W & Z). W=vertical roller length, Z=horizontal roller length.

Also available factory installed on the reel.



Part No.	Description
HN 9939.0060	Assembly "A" (Kit Only)
HN -	Assembly "A" (Factory Installed)
HN 9939.0061	Assembly "B" (Kit Only)
HN -	Assembly "B" (Factory Installed, Bottom Wind) ..
HN -	Assembly "B" (Factory Installed, Top Wind)
HN 9939.1066	Assembly "C" (Kit Only)
HN -	Assembly "C" (Factory Installed, Bottom Wind) ..
HN -	Assembly "C" (Factory Installed, Top Wind)

Note: Installed is with new reel purchase.