

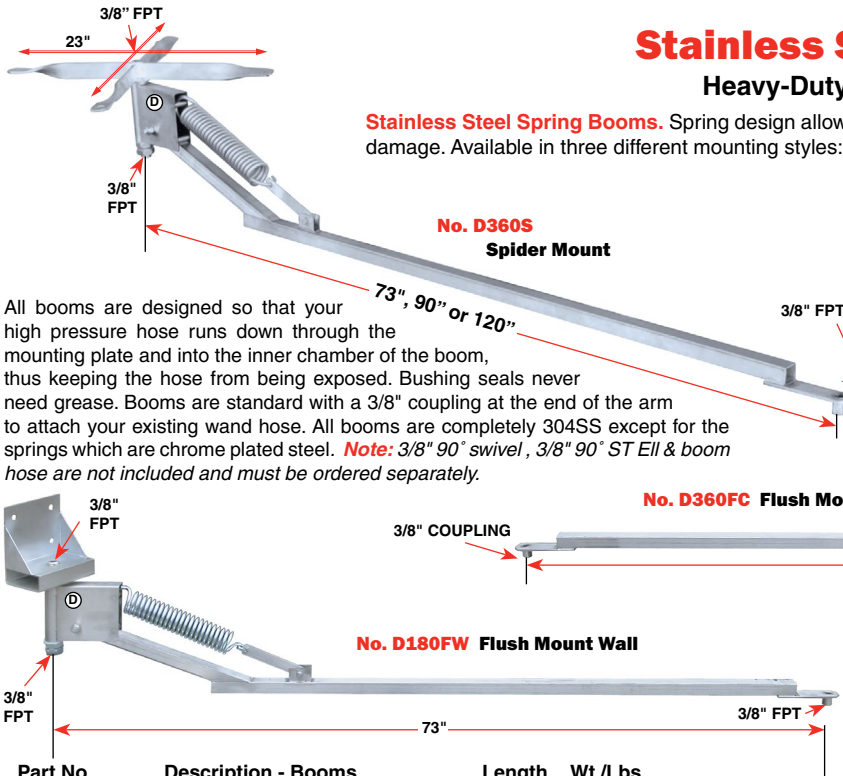
Ceiling & Wall Booms

Stainless Steel Booms

Heavy-Duty / High Quality

Stainless Steel Spring Booms. Spring design allows for limited pull down to reduce vandalism or accidental damage. Available in three different mounting styles:

- "Spider Mount":** Ceiling brackets have 23" center to center bolt pattern. (360° boom).
- "Flush Mount":** Ceiling plate is 8" x 8" with holes on 6" centers. (360° boom).
- "Flush Mount":** Wall plate is 6" x 7" with holes on 4" centers. (180° boom).



All booms are designed so that your high pressure hose runs down through the mounting plate and into the inner chamber of the boom, thus keeping the hose from being exposed. Bushing seals never need grease. Booms are standard with a 3/8" coupling at the end of the arm to attach your existing wand hose. All booms are completely 304SS except for the springs which are chrome plated steel. **Note:** 3/8" 90° swivel, 3/8" 90° ST Ell & boom hose are not included and must be ordered separately.

Standard booms are 73" overall length. Truck bay booms are 90" overall length. **Note:** Boom hose & 90° 3/8" swivels are not included. (Special 10' double-spring booms are also available in all styles at approximately twice the single spring prices.)

Part No.	Description - Booms	Length	Wt./Lbs.
DD D360S	Ceiling Boom, Spider Mount, 360°	73"	20
DD D380ST	Ceiling Boom, Spider Mount, 360°	90"	25
DD D390SP	Ceiling Boom, Spider Mount 360°	120"	35
DD D360FC	Ceiling Boom, Flush Mount, 360°	73"	19
DD D380FCT	Ceiling Boom, Flush Mount, 360°	90"	24"
DD D390FT	Ceiling Boom, Flush Mount, 360°	120"	35
DD D180FW	Wall Boom, Flush Mount, 180°	73"	20
DD D190FWT	Wall Boom, Flush Mount, 180°	90"	25

Part No.	Description - Accessories
AA 7030	Brass Swivel R.A., 3000 PSI.....
AA 7035	S.S. Swivel R.A., 5000 PSI
SS 36560-3/8	90° Boom Swivel.....
AB 116A-3/8	Brass 3/8" St Ell, 1000 PSI
GA 6CT-6	3/8" x 71" Hose Assembly, 73" Booms
GA 6CT-8	3/8" x 88" Hose Assembly, 90" Booms

Maxi-Flex Ceiling & Wall Booms



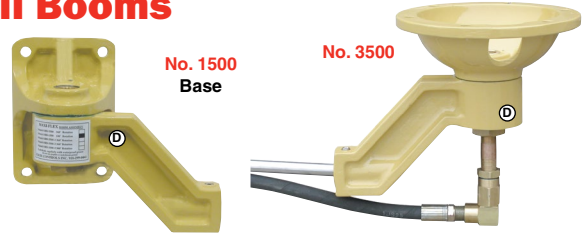
Constructed of a newly developed Space Age stainless steel alloy. This Boom is virtually indestructible and offers the ultimate in flexibility. The boom arm is stainless steel rod and can actually be pulled down 45 degrees and will "flex" back without damage. All boom parts are stainless steel, brass or aluminum. Maximum of 160° F. and 2000 PSI.

Standard with a quality ball bearing swivel (repairable), and a high quality trunnion bearing in the base. **Boom arm hose included.**

Two-piece construction allows for ease in installation. Mounting base is designed to retrofit to common hole patterns.

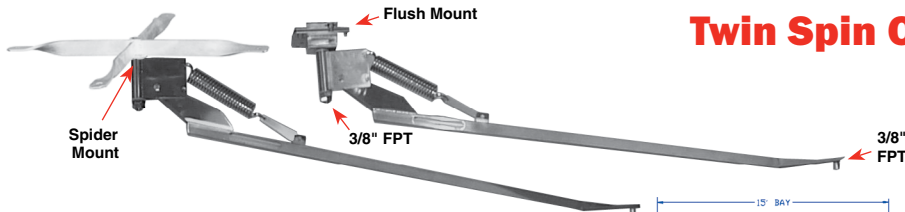
A heavy manifold at the end of the boom arm attaches the boom hose and the boom arm so that the hose cannot be pulled off.

Available in either 360° ceiling booms or in 180° wall booms. Either style is available in either 6' or 8' lengths. Ports are 3/8" FPT. Inlet port can be accessed from either top or side of boom base.



Part No.	Length	WT.
FL OHS-1500	180° Boom 5-1/2"	14 lbs.
FL OHS-1500-8	180° Boom 7-1/2"	14 lbs.
FL OHS-3500	360° Boom 5-1/2"	14 lbs.
FL OHS-3500-8	360° Boom 7-1/2"	14 lbs.
FL SW504A	Replacement Swivel, Straight	
FL SW504A-L	Replacement Swivel, Elbow	
FL SW504A-LFF	Swivel, 90°, 3/8" Female x Female.....	
FL RK550	Swivel Repair Kit	
FL OHS-HB	Boom Arm Block	

Twin Spin Ceiling Booms



Stainless "Twin Spin" Booms are designed to travel under each other which allows 2 different products to be used in the bay. These heavy duty booms are designed with slanted arms to travel in a 360 degree range and not hang up. Bushing seals never need grease.

Booms are sold separately and are available with **Flush** or **Spider** mount brackets.

Booms are 304 Stainless Steel except for springs which are chrome-plated. Rated to 2000 PSI. Overall length is 5'9". Two booms are required per bay.

Swivel and Hose Options are Shown at Left & Must be Ordered Separately.

Part No.	Description - Accessories
DD D360-FLTS	Flush Mount Boom
DD D360-SPTS	Spider Mount Boom
AA 7030	Brass Swivel R.A., 3000 PSI
AA 7035	S.S. Swivel R.A., 5000 PSI
SS 36560-3/8	90° Boom Swivel
AB 116A-3/8	Brass 3/8" St Ell, 1000 PSI.....
GA 6CT-7	3/8" x 75" Boom Hose Assembly

